

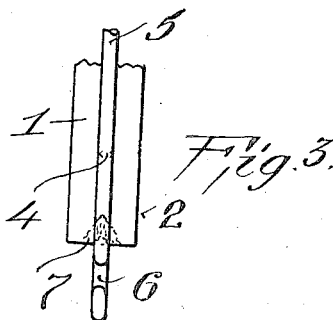
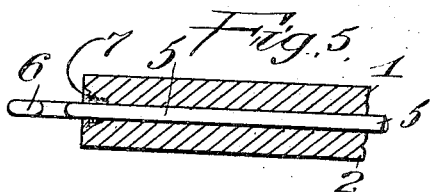
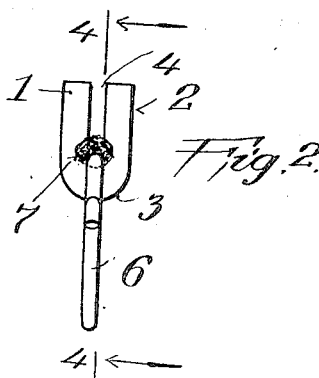
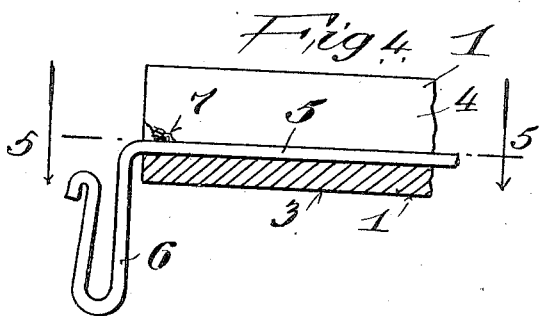
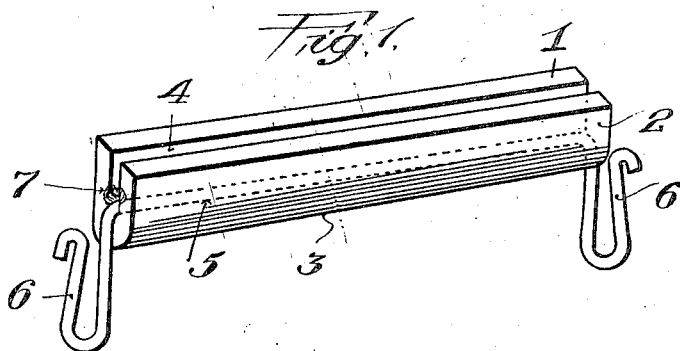
June 26, 1923.

G. W. CARVER

1,460,354

PACKAGE HANDLE

Filed April 16, 1921



INVENTOR  
George W. Carver  
BY his ATTORNEYS  
Dorby Dorby

Patented June 26, 1923.

1,460,354

# UNITED STATES PATENT OFFICE.

GEORGE W. CARVER, OF ORANGE, NEW JERSEY, ASSIGNOR, BY DIRECT AND MESNE ASSIGNMENTS, TO A. M. DAVIS, OF WELLESLEY, MASSACHUSETTS.

## PACKAGE HANDLE.

Application filed April 16, 1921. Serial No. 461,866.

*To all whom it may concern:*

Be it known that I, GEORGE W. CARVER, a citizen of the United States, residing at Orange, county of Essex, State of New Jersey, have made a certain new and useful Invention in Package Handles, of which the following is a specification.

This invention relates to handles such as are employed for ready attachment to packages around which is wrapped cord, wire, string or the like.

The object of the invention is to provide a handle of the character above set forth which is simple in structure, efficient for the purpose thereof, and exceedingly economical to manufacture.

A further object of the invention is to provide a handle of the character above set forth which may be readily attached to packages and the like by means of the cord, string or other type of wrapping, which is of exceedingly simple structure and enables the manufacture thereof in quantities considerably more economical than is possible with the types of handles of similar character heretofore made.

Other objects of the invention will appear hereafter.

The invention consists substantially in a construction, combination, location and relative arrangement of parts, all of which will be more fully hereinafter set forth, as shown by the accompanying drawing and finally pointed out in the appended claims.

Referring to the drawing, Figure 1 is a view in perspective of a package handle embodying my invention.

Figure 2 is an end view of the same.

Figure 3 is a top plan view of one end of the same.

Figure 4 is a sectional view taken on the line 4-4, Figure 2, and looking in the direction of the arrows.

Figure 5 is a sectional view taken on the line 5-5, Figure 4, and looking in the direction of the arrows.

The same part is designated by the same reference character wherever it occurs throughout the several views.

In accordance with my invention, I employ any suitable type of grip or handle made of any suitable material.

While I have shown and will now describe a specified type of handle made of wood, due to such type of handle having certain ad-

vantageous characteristics, I wish it to be understood that I do not desire to be limited or restricted thereto.

In the form shown, however, I employ a block of wood 1, provided with smooth flat side surfaces 2, and a rounded end surface 3, to fit the groove palm of the hand when the package to which the handle is attached is being carried.

The block 1 is provided with a longitudinal groove 4, which is cut throughout the length of the handle 1, to a substantial depth and of sufficient width to permit a wire 5 provided with the usual hooked ends 6 to be freely placed therein.

It is understood that the hooked ends 6 are used in the usual well known manner for detachably engaging the cord around the package to be carried.

The ends of the block 1 in the groove portion thereof immediately above the wire 5 are then upset in any suitable manner for example by means of a prick punch as illustrated at 7 to thereby form an efficient but simple and inexpensive type of wedge to retain the wire 5 in the handle 1.

It will be seen from the foregoing description that I have provided an exceedingly simple and inexpensive type of package handle which may be manufactured at a cost greatly less than the ones now commonly employed.

It will be further seen that by means of the structure of package carrier herein described, it is possible to employ a handle carrier having flat sides and top to enable with less difficulty than is encountered with the round type of package carrier, printing, stenciling or the like of an advertising nature, such as the name and address of the manufacturer of the handle or of the concern supplying the handles with their packages.

Many modifications and changes in detail will readily occur to those skilled in the art without departing from the spirit and scope of my invention as defined in the claims.

Having now set forth the object and nature of my invention, and having shown and described a structure embodying the principles thereof, what I claim as new and useful and of my own invention and desire to secure by Letters Patent is:

1. A package carrier comprising a wooden handle portion provided with a longitudinal

open ended slot extending throughout the length thereof, a wire provided with hooked ends positioned in said slot, the ends of said handle portion being upset so that the upset portion of the body forms a wedge in said slot for retaining said wire therein.

2. A package carrier comprising a body portion provided with an open ended longitudinal slot extending throughout the length thereof, said body portion being substan-

tially U-shaped in cross section, a wire in said slot and having hooked ends projecting from said slot, said body portion being upset at its ends at the slot portion thereof whereby said upset portions retain said wire in said slot.

In testimony whereof I have hereunto set my hand on this 11<sup>th</sup> day of April, A. D., 1921.

GEORGE W. CARVER.