

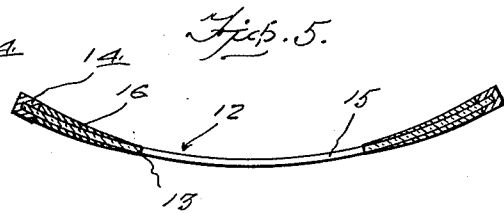
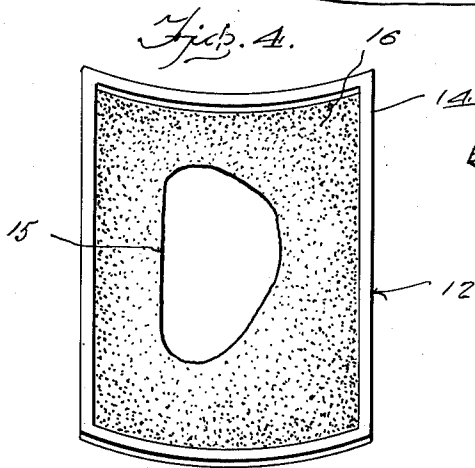
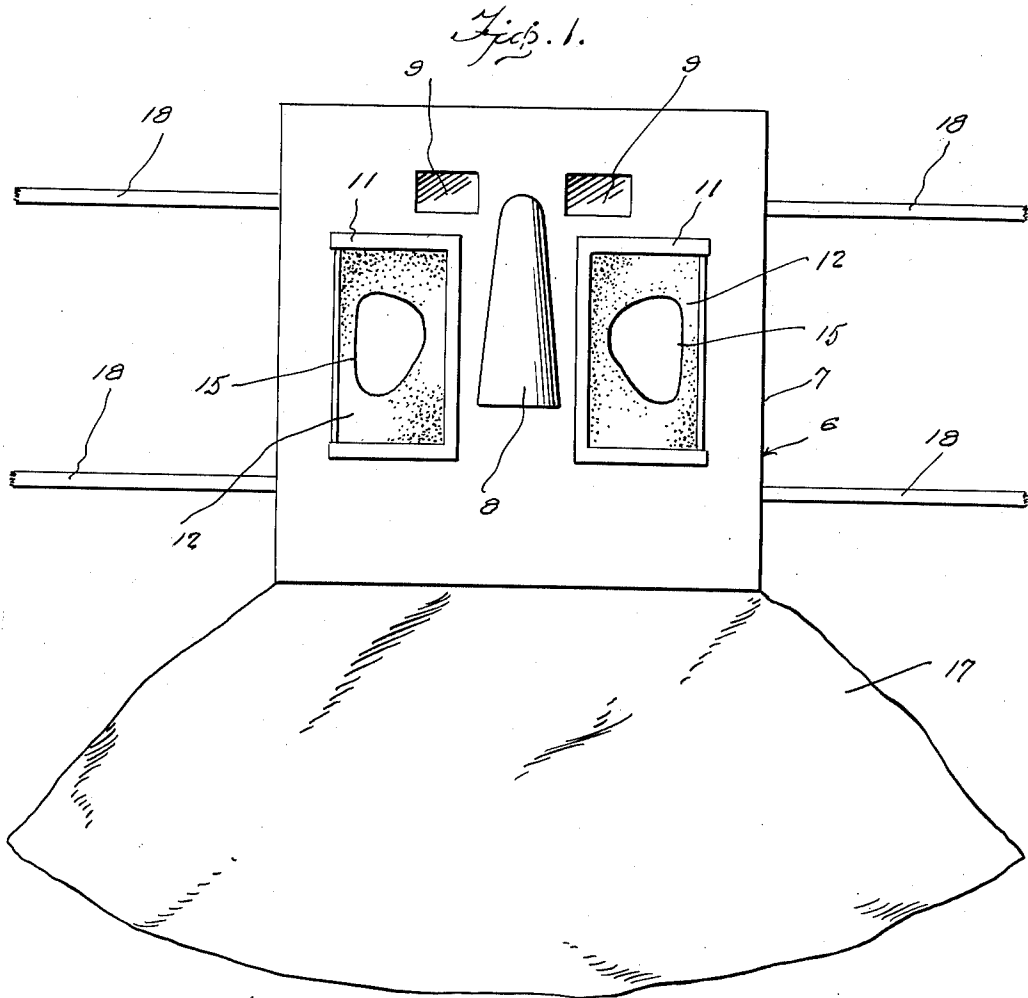
June 6, 1933.

C. KROHA
BEAUTY MASK

1,913,083

Filed April 14, 1932

2 Sheets-Sheet 1



Inventor

Curt Kroha

By *Clarence A. O'Brien*
Attorney

June 6, 1933.

C. KROHA

1,913,083

BEAUTY MASK

Filed April 14, 1932

2 Sheets-Sheet 2

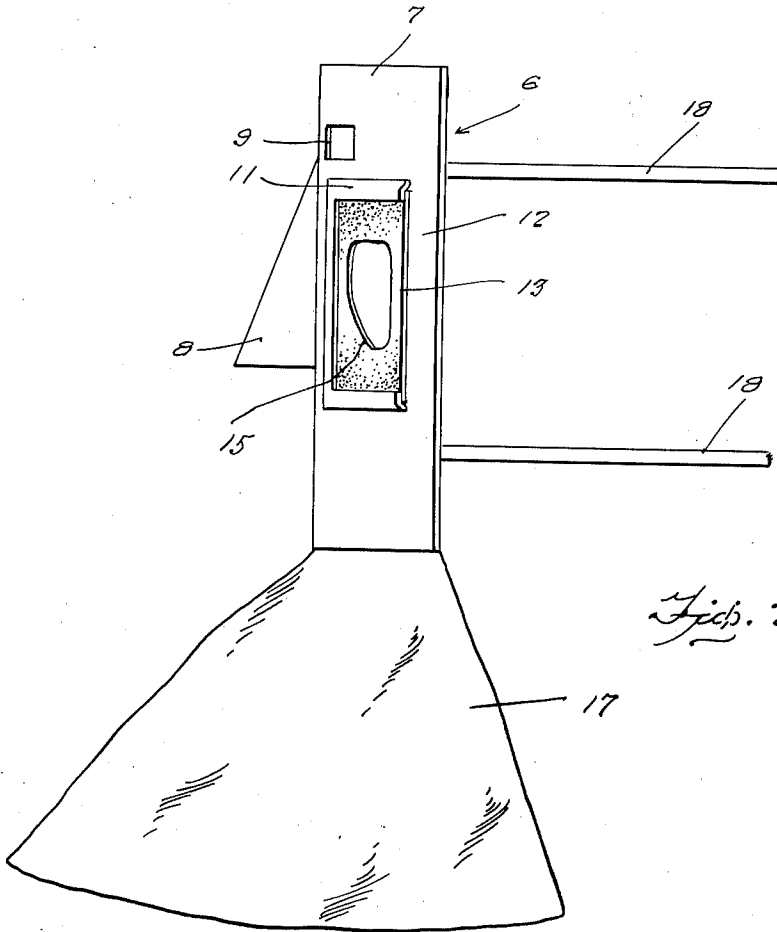


Fig. 2.

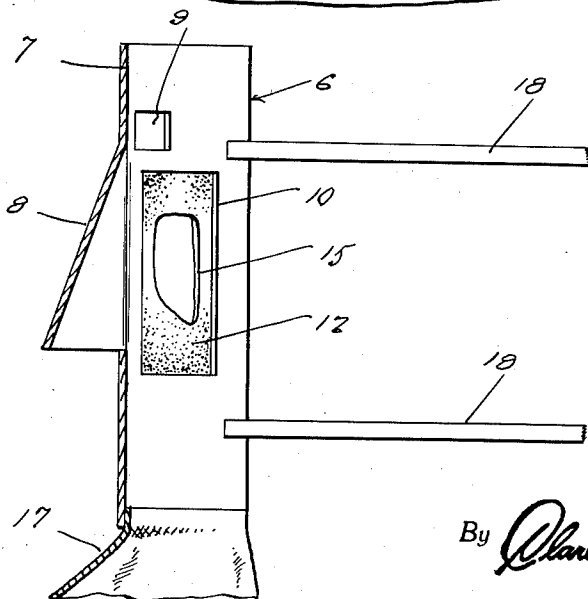


Fig. 3.

Inventor

Curt Kroha

By *Clarence A. O'Brien*
Attorney

UNITED STATES PATENT OFFICE

CURT KROHA, OF NEW YORK, N. Y.

BEAUTY MASK

Application filed April 14, 1932. Serial No. 605,333.

This invention relates to facial appliances and particularly to masks especially for feminine use in conjunction with natural or artificial sources of skin coloring radiations or emanations, whereby an enhanced natural coloring of restricted area of the face, such as the cheeks, may be produced.

An important object of the invention is to provide a simply and economically constructed mask for this purpose which will shield the face against the coloring action of the skin coloring radiations or emanations except for predetermined limited areas such as the cheeks, which areas are partially or wholly exposed to the natural or artificial radiations or emanations to secure the desired degree of coloring of the exposed areas. Any available natural or artificial sources of skin coloring or pigmenting radiations or emanations, such as the sun, electric sun-lamps, violet-ray lamps, and the like, may be used.

The invention also contemplates the practice of a method of skin coloring or tinting which comprises applying a special facial treatment to the skin before application of the mask to the face to prevent undue coloring or burning of the areas of the face to be exposed, said mask being constructed to confine the effects of the radiations or emanations, and applying the radiations or emanations until the desired coloring or tinting has been achieved.

The particular structural features of the invention will become more readily apparent from the following description and accompanying drawings.

In the drawings;

Figure 1 is a front elevational view of a mask constructed in accordance with the present invention.

Figure 2 is an end or edge elevational view thereof.

Figure 3 is a vertical transverse sectional view, taken approximately centrally through Figure 1.

Figure 4 is an enlarged elevational view of one of the apertured screens.

Figure 5 is a horizontal sectional view taken through Figure 4.

Referring to the drawings wherein like numerals refer to like parts throughout the same, it will be observed that the mask is generally designated by the numeral 6 and comprises a substantially rectangular sheet 7 of appropriate material made sufficiently rigid so that it has the permanent curved form represented in the drawings. The character of the material of the sheet 7 is such as to prevent penetration of the skin coloring radiations or emanations. The central portion of the mask is provided with a hollow nose guard 8 into which the nose is placed so as to enable bringing the sheet 7 close to the remainder of the face. Sight openings or windows 9 containing adequately colored lenses or other means permitting the person being treated to see through the mask without submitting the eyes to the action of the radiations or emanations are provided properly placed with respect to the nose guard. The portions of the mask which overlie the cheeks of the wearer are formed with substantially rectangular openings 10 as seen in Figure 3. Mounted on the outer surface of the mask adjacent each opening 10 is a frame 11 open on one side to provide for insertion and removal of interchangeable panels or screens 12. Each screen is of generally rectangular form and comprises a sheet or body 13 of suitable fabric or other material provided with a marginal reinforcing binding 14, and a cheek exposing opening 15 which is generally of the shape illustrated in the drawings. The shape of the openings 15 may vary according to the extent and shape of the areas to be colored. The opposite sides of the sheet 13 may be coated with paint or the like 16 in such a way that the coating decreases in thickness from the outer edge portions of the sheet to the edge of the exposure opening 15 whereby to provide a gradually decreasing resistance of the sheet to passage of the radiations or emanations from the outer edges of the sheet to the opening therein, whereby to provide for a desirably toned coloring of the skin.

The numeral 17 designates a suitably proportioned apron depending from the lower

part of the sheet 7 and 18 represents the straps attached to the sheet 7, for securing the mask in place on the face of the wearer.

The screens 12 may be of laminated construction or of single ply fabric coated with material impervious or relatively impervious to the radiations or emanations used. The screens are provided to be interchangeable and are provided with openings of different size for accommodating differences in facial formations of persons to be treated.

The feature of providing the screens of material graduated in permeability increasing toward the direct exposure opening thereof enables the obtaining of a naturally graduated coloring of the skin surrounding and blending with the directly exposed area, so that no evidence of artificiality in the coloring produced appears.

It is thought that the description taken in connection with the drawings will enable a clear understanding of the invention to be had. Therefore, a more lengthy description is thought unnecessary.

While the preferred embodiment of the invention has been shown and described, it is to be understood that minor changes coming within the field of invention claimed may be resorted to if desired.

Having thus described my invention, what I claim as new is:

1. As a new product of manufacture, a mask comprising a face covering, having cheek openings, frame means surrounding the openings, removable cheek shields slidable in the frame means and formed with openings of a predetermined configuration to expose the cheeks of the wearer to the effect of natural or artificial radiations or emanations.

2. A facial beauty mask of the class described comprising a face covering provided with a nose guard, vision windows, and cheek openings, frame means surrounding the openings, and a pair of apertured, interchangeable shields to overlie the cheeks of the wearer and slidably supported in the frame means to limit subjection of portions of the cheeks to the action of natural or artificial radiations or emanations.

3. A facial beauty mask of the class described comprising a face covering provided with a nose guard, vision windows, and cheek openings, frame means surrounding the openings, and a pair of shields to overlie the cheeks of the wearer to subject only limited portions of the cheeks to the action of natural or artificial radiations or emanations, said shields having openings of predetermined configuration and size and the portions of the shield surrounding the marginal edges of the holes being coated so as to taper in thickness from the marginal edges of the shield toward the opening

thereof to provide the requisite graduated skin tinting effects.

4. As a new product of manufacture, a beauty mask of the class described comprising a face covering of appropriate shape and proportion having a centralized nose guard, lens equipped eyesight windows, and cheek openings on opposite sides of the nose guard and below said windows the mask being formed around said openings with three sided frames constituting panel guides and retention means, a pair of removable interchangeable panels receivable in said frames to close said openings, each panel being formed with a cheek exposure hole.

5. As a new product of manufacture, a beauty mask of the class described comprising a face covering of appropriate shape and proportion having a centralized nose guard, lens equipped eyesight windows, and cheek openings on opposite sides of the nose guard and below said windows the covering being formed around said openings with three sided frames constituting panel guides and retention means, a pair of removable interchangeable panels receivable in said frames to close said openings, each panel being formed with a cheek exposure hole of requisite shape and dimension, each of said panels comprising a single ply of fabric coated on opposite sides, the coating on the opposite sides of the fabric being gradually thinned from the edges of the panel toward the exposure hole to provide graduated permeability to treating rays or emanations.

6. As a new product of manufacture, a beauty mask of the class described comprising a face covering of appropriate shape and proportion having a centralized nose guard, lens equipped eyesight windows, and cheek openings on opposite sides of the nose guard and below said windows, the covering being formed around said openings with three sided frames constituting panel guides and retention means, a pair of removable interchangeable panels receivable in said frames to close said openings, each panel comprising a single ply of fabric provided with a cheek exposing hole and coated on opposite sides, the coating on the opposite sides of the fabric being gradually thinned from the edges of the panels toward the exposure hole to provide graduated permeability to the treating emanations used, retaining straps carried by the face covering, and an apron attached to the lower portion of the face covering to cover the neck, shoulders and adjacent anatomy of the wearer.

In testimony whereof I affix my signature.

CURT KROHA.