

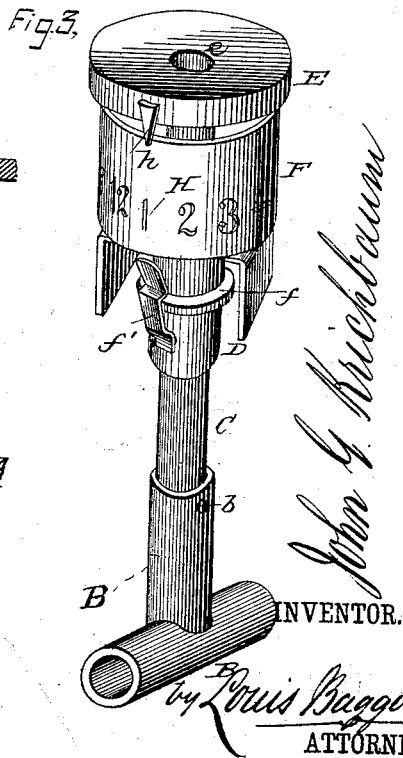
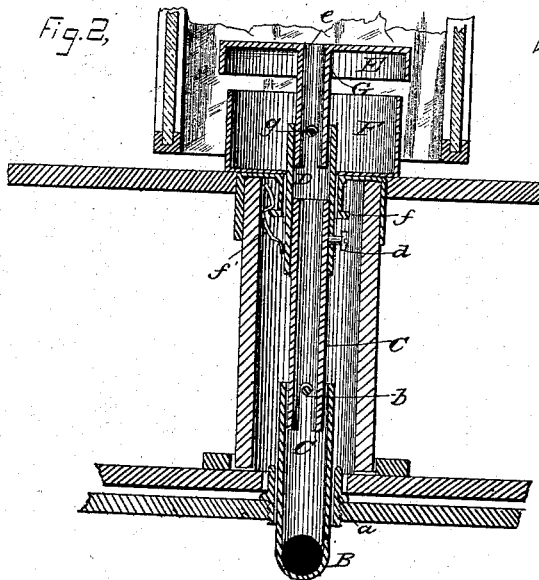
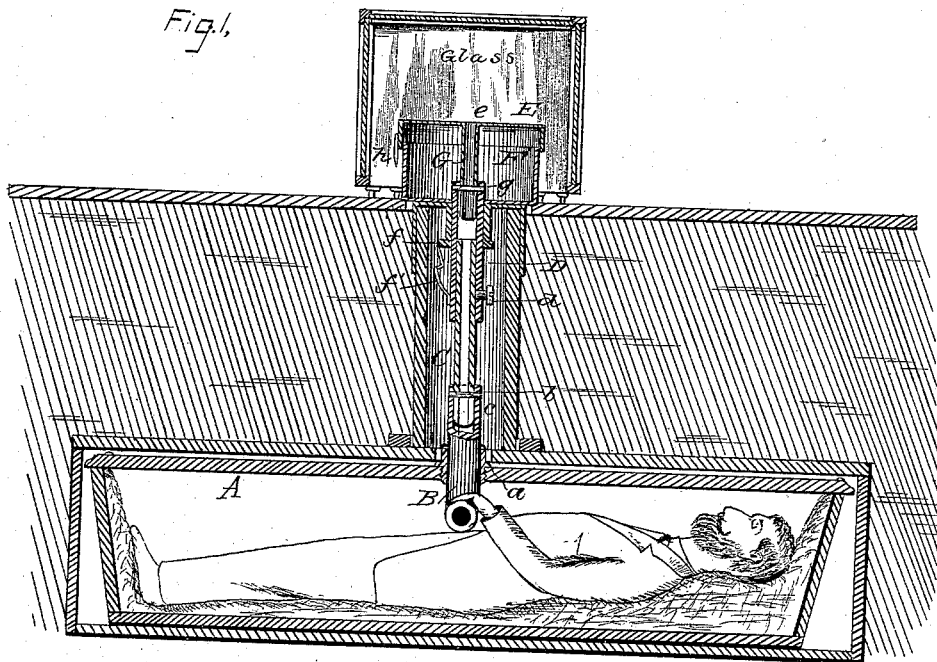
(No Model.)

J. G. KRICHBAUM.

DEVICE FOR INDICATING LIFE IN BURIED PERSONS.

No. 268,693.

Patented Dec. 5, 1882.



WITNESSES:

Wm. L. Dieterich
J. G. Hinkel

INVENTOR.

by Louis Baggett
ATTORNEYS.

UNITED STATES PATENT OFFICE.

JOHN G. KRICHBAUM, OF YOUNGSTOWN, OHIO, ASSIGNOR OF ONE-THIRD
TO NICHOLAS BIXLER, OF SAME PLACE.

DEVICE FOR INDICATING LIFE IN BURIED PERSONS.

SPECIFICATION forming part of Letters Patent No. 268,693, dated December 5, 1882.

Application filed September 2, 1882. (No model.)

To all whom it may concern:

Be it known that I, JOHN G. KRICHBAUM, of Youngstown, in the county of Mahoning and State of Ohio, have invented certain new and useful Improvements in Devices for Indicating Life in Buried Persons; and I do hereby declare that the following is a full, clear, and exact description of the invention, which will enable others skilled in the art to which it appertains to make and use the same, reference being had to the accompanying drawings, which form a part of this specification, and in which—

Figure 1 is a longitudinal vertical section of a grave provided with my device for indicating life in buried persons. Fig. 2 is a cross-section of the same, and Fig. 3 is a perspective detail view of the device proper.

Similar letters of reference indicate corresponding parts in all the figures.

My invention has relation to that class of devices for indicating life in persons buried under doubt of being in a trance in which connection is obtained between the person in the grave and an indicator on the ground over the grave through a casing or tube leading from the surface of the ground down to the coffin; and it consists in the improved construction, combination, and arrangement of parts of the same, as hereinafter more fully described and claimed.

In the accompanying drawings, the letter A represents a coffin or burial-casket, of any desired shape, with a body in it. In the lid of the coffin is a bushing, *a*, through which passes a T-shaped pipe, B, having a cross-pin, *b*, in the upper end, and the branches of which rest on the body near its hands. The cross-pin *b* passes into a longitudinal slot, *c*, of a pipe, C, which fits into the upper end of the pipe B. By means of a set-screw, *d*, a sleeve, D, is adjustably fastened to the upper end of the tube C. This sleeve is provided with a catch, *f*', which clasps the flanged collar *f* of the neck of a cylindrical box, F, fastened above the grave, and provided with a flanged cover, E, which freely turns on the upper edge of the box F. In the

center of cover E is a circular aperture, *e*, to which is fitted a tube, G, whose lower slotted end engages a cross-pin, *g*, in the upper end of sleeve D. To the flange of cover E is fastened an index, *h*, which points to a marked scale, H, on the side of box F, which is fastened on a wooden box extending from the coffin to the surface of the grave.

It will be seen that if the person buried should come to life a motion of his hands will turn the branches of the T-shaped pipe B, upon or near which his hands are placed, and by each of the different pipes being connected by having the cross-pin in its upper end engaging the slot in the lower end of the one above, the cover E will turn and the index will show on the scale that it has been turned. If the person then should turn in the coffin or make any more violent motion, he will push the pipe B upward and push the cover off the top of the box. The catch *f*' on the sleeve D will be pushed over the flanged collar *f* and hold it up, so that nobody from the outside can press the cover down again. A supply of air sufficient for allowing the person in the coffin to breathe freely enters the coffin through the pipes and will keep him alive till help arrives.

To keep rain or other water from entering through the pipe the box and cover above the grave may be covered by a glass casing, so that the index still remains in full view of persons passing. When the person has been buried a sufficiently long time to insure the certainty of death the apparatus may be removed by lifting box F and tubes D and C out of the outside casing, leaving the T-shaped tube B in the coffin, the slot in the lower end of tube C allowing it to be withdrawn from its position on the cross-pin *b*, whereupon the hole inside the outer casing may be covered or filled with earth and the surface leveled, and the device, or the parts left of the device, used upon another grave.

Having thus described my invention, I claim and desire to secure by Letters Patent of the United States—

In a device for indicating life in buried per-

sons, the T-shaped pipe B, tube C, having sleeve D, provided with a catch, *f'*, box F, having flanged collar *f*, and flanged cover E, having index *h*, and provided with downward-projecting tube G, constructed and combined substantially as and for the purpose herein shown and described.

In testimony that I claim the foregoing as my own I have hereunto affixed my signature in presence of two witnesses.

JOHN G. KRICHBAUM.

Witnesses:

THOS. H. WHITESIDE,
M. H. BURKY.