

- [54] **INFANT BED FOR USE ON HORSEBACK**
- [75] Inventor: **Donald E. Cobb**, Belvidere, Kans.
- [73] Assignee: **The Raymond Lee Organization, Inc.**, New York, N.Y.
- [22] Filed: **May 9, 1973**
- [21] Appl. No.: **358,592**

FOREIGN PATENTS OR APPLICATIONS

929,949	7/1947	France	224/6
914,245	6/1946	France	224/30 R
149,125	4/1937	Germany	5/82

Primary Examiner—Paul R. Gilliam
Assistant Examiner—Kenneth J. Dorner

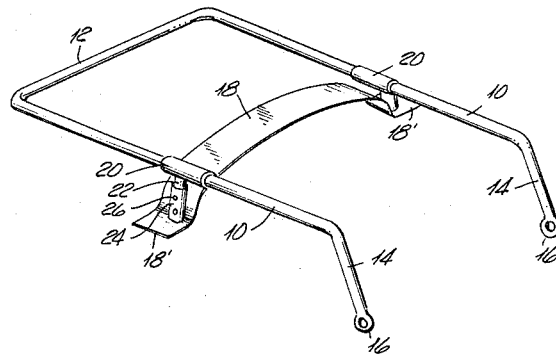
- [52] **U.S. Cl.**..... 5/82, 224/39 R
- [51] **Int. Cl.**..... **A61g 1/00**
- [58] **Field of Search**..... 5/82, 93 R; 224/6, 30 R, 224/43, 44, 42.11, 39 R, 37

[57] **ABSTRACT**

A bed for infants comprising a horizontal U-shaped frame, the free end of each leg extending inclinedly downward and terminating in a grommet, an oval band secured to each of the legs and extending transversely therebetween and bedding disposed over the frame and band.

- [56] **References Cited**
UNITED STATES PATENTS
 3,689,945 9/1972 Laerdal..... 5/82

2 Claims, 5 Drawing Figures



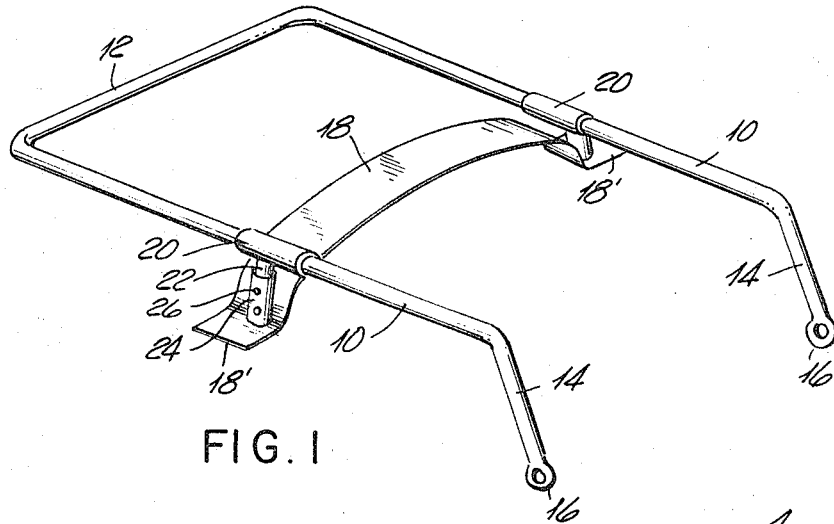


FIG. 1

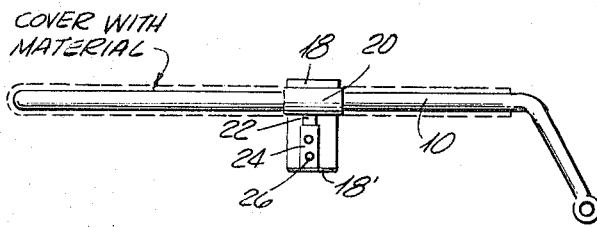


FIG. 2

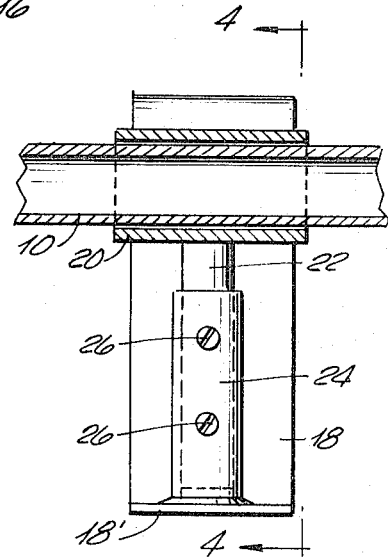


FIG. 3

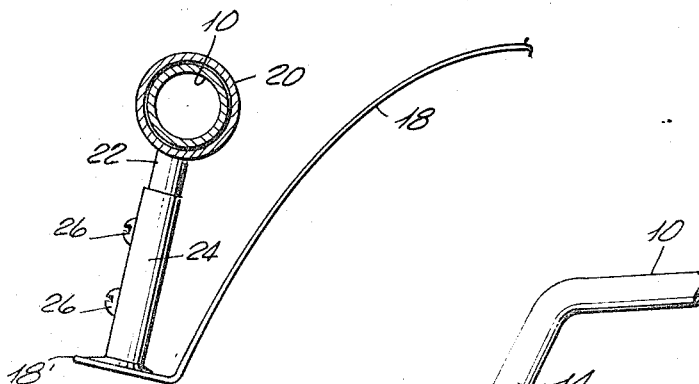
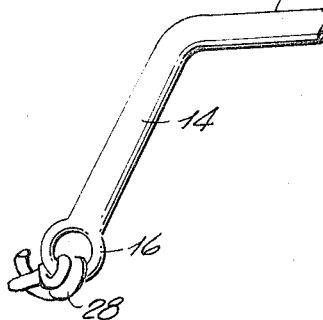


FIG. 4

FIG. 5



INFANT BED FOR USE ON HORSEBACK

SUMMARY OF THE INVENTION

My invention is directed toward means which will permit an infant to be carried sleeping on a horse ridden by a parent or the like. To this end I employ a horizontal U-shaped frame wherein the free end of each leg has an extension disposed inclinedly downwards and terminating in a grommet. The rear cinch ring of a saddle disposed on position on a horse is secured to these grommets. An oval band is secured to each of the legs and extends transversely therebetween. Bedding such as an air pillow or mattress overlies the frame and band.

Straps or other means can be used to hold the bedding in place and the infant in place on the bedding whereby a parent or other person can ride a horse and the infant can be transported securely thereon at the same time.

BRIEF DESCRIPTION OF THE DRAWINGS

In the drawings:
FIG. 1 is a perspective view of my invention with the bedding removed;
FIG. 2 is a side view thereof;
FIG. 3 is an enlarged detail view of the structure shown in FIG. 2;
FIG. 4 is a view taken along line 4—4 in FIG. 3; and

FIG. 5 is an enlarged detail view of the grommet connection.

DETAILED DESCRIPTION OF PREFERRED EMBODIMENTS

Referring now to FIGS. 1-5, a length of aluminum tubing is formed into a horizontal elongated U shaped frame having parallel legs 10 interconnected by a transverse member 12 and having at free ends extensions 14 extending inclinedly downwards and terminating at grommets 16.

A curved metal band 18 extends transversely between the legs 10 in a position intermediate the ends. The band has flattened end portions 18' disposed below the corresponding legs. Vertical sleeves 24 are each welded or otherwise secured at its bottom end to the corresponding end portion 18' and extent upward toward the corresponding leg. Horizontal sleeves 20

each slidingly engage a corresponding leg overlying sleeves 24, each sleeve 20 having a downwardly extending stub 22 extending into the top end of the corresponding vertical sleeve. Screws 26 enable the depth of the penetration of the stub in the sleeve to be varied to enable proper fit on the horse.

With the frame in place, the grommets can be secured to the rear cinch ring of the saddle by laces 28 or the like.

Bedding such as a mattress or air pillow overlies the frame and is secured thereto. Straps can be used to hold the infant in place.

While I have described my invention with particular reference to drawings, such is not to be considered as limiting its actual scope.

Having thus described this invention, what is asserted as new is:

1. A bed for infants adapted to be secured to the back cinching of a saddle when the saddle is secured to a horse, said bed comprising:

a U-shaped tubular frame disposed horizontally with parallel legs, each leg having at its free end an extension disposed inclinedly downwards and terminating in a grommet;

lace means detachably securing said grommets to said cinch ring;

a curved band extending transversely between the legs in a position intermediate the ends thereof, each end of the band having a flattened portion disposed below the corresponding leg;

first and second vertical sleeves, each sleeve being secured at its bottom end to a corresponding flattened portion and extending upward towards the corresponding leg;

first and second horizontal sleeves, each having a vertically downwardly extending stub, each horizontal sleeve slidingly engaging the corresponding leg with its corresponding stub extending into and engaging the top end of the corresponding vertical sleeve; and

bedding disposed over the frame and band.

2. The bed as set forth in claim 1 wherein screws in the vertical sleeves enable the depth of penetration of the stubs into the vertical sleeves to be varied to enable proper fit on the horse.

* * * * *

50

55

60

65