

[54] FACE AND NOSE WIPER HOLDING
DEVICE FOR SKIERS

[75] Inventors: Kevin D. Taylor, Ogden; Galen N.
Nichols, Salt Lake City, both of Utah

[73] Assignee: TNF Enterprises, Salt Lake City,
Utah

[21] Appl. No.: 587,664

[22] Filed: Mar. 8, 1984

[51] Int. Cl.³ A41D 19/00

[52] U.S. Cl. 2/160; 2/250;
206/233

[58] Field of Search 2/160, 161 R, 161 A,
2/162, 170, 159, 249, 250, 251, 252, DIG. 6,
DIG. 11; 206/233

[56] References Cited

U.S. PATENT DOCUMENTS

- 1,426,797 8/1922 Wangelin 2/160
- 2,103,711 12/1937 Cole 2/160

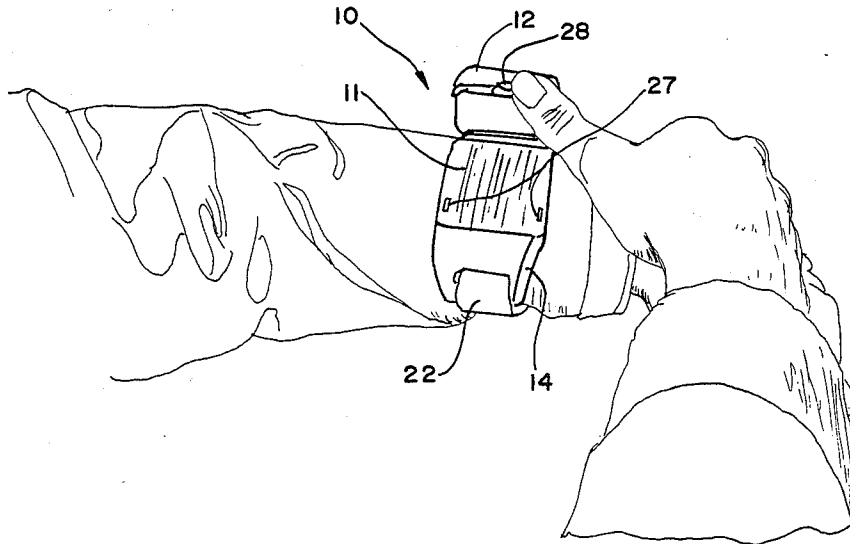
- 2,537,701 1/1951 Previdi 2/250 X
- 3,185,197 5/1965 Spiro et al. 2/DIG. 6
- 3,537,108 11/1970 Daniels 2/252
- 4,185,753 1/1980 Leto 206/233 X
- 4,244,057 1/1981 Burnham 2/160
- 4,387,838 6/1983 Jackson 2/160 X

Primary Examiner—Henry S. Jaudon
Assistant Examiner—J. L. Kravitz
Attorney, Agent, or Firm—A. Ray Osburn

[57] ABSTRACT

A face and nose wiper holder for skiers, adapted for attachment to the lower arm of the skier and having a retractable cover exposing the wiper for use by the skier without removal from the holder. The holder is adapted for use of facial tissue sheet wipers or of pre-packaged absorbent pad wipers. According to another aspect of the invention, the wiper holder may be adapted for use upon the wrist of one of the skier's gloves.

10 Claims, 8 Drawing Figures



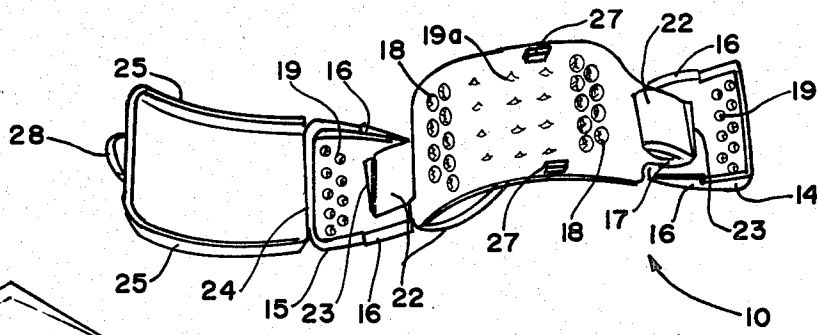


FIG. 4

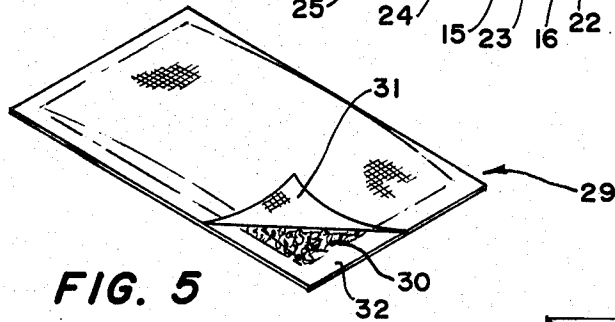


FIG. 5

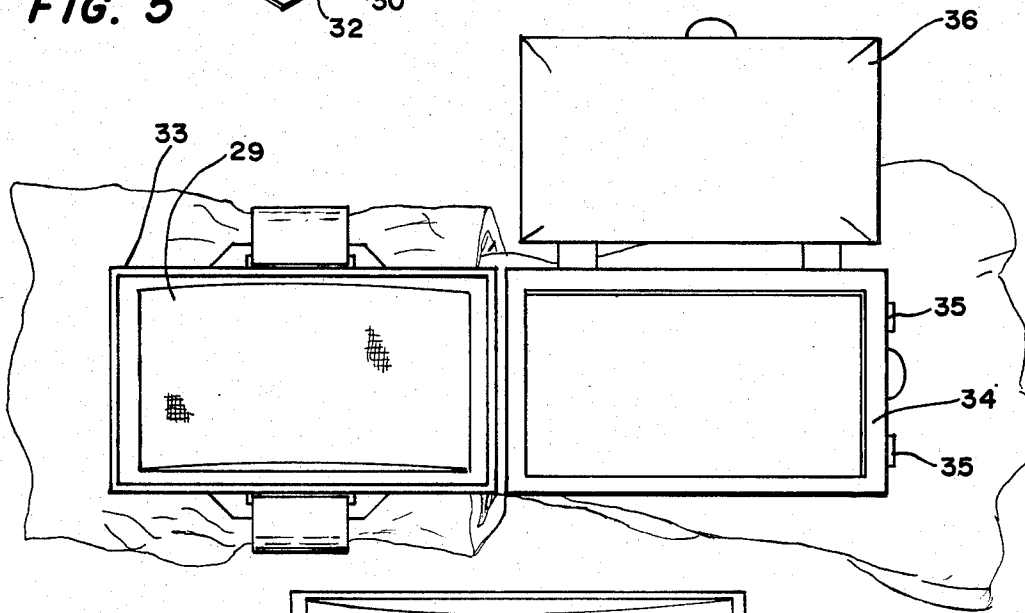


FIG. 6

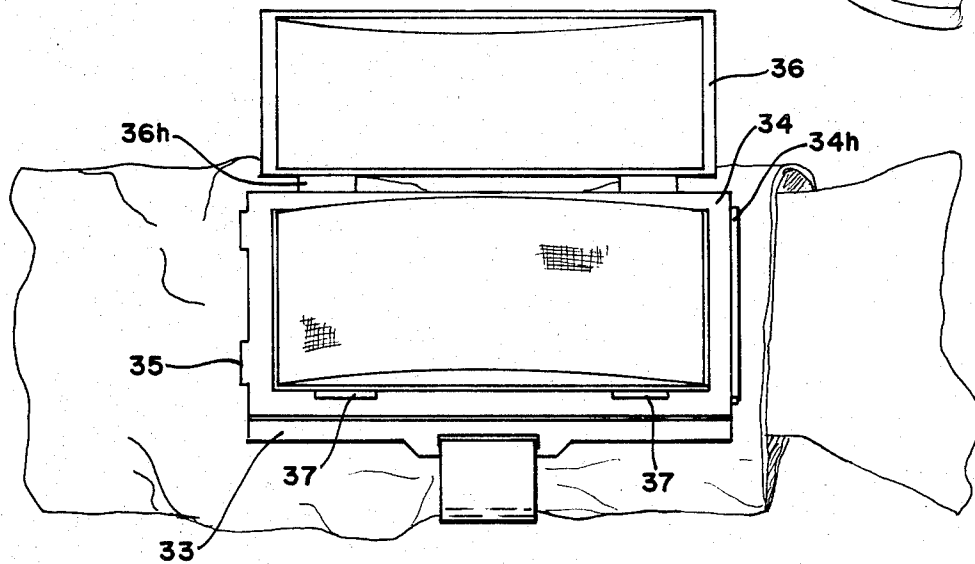


FIG. 7

and 23, thus serving to secure holder 10 together when the clamps 14 and 15 are disengaged for installation of a wiper 11, as seen in FIG. 4. Wiper cover 12 is connected to clamp 15 preferably by a narrow flexible band 24, commonly referred to as a "live" hinge, preferably molded integrally with cover 12 and clamp 15. Cover 12 is curved to correspond to base 13, downwardly extending sides 25 resting upon upper surface 26 of base 13 about the tissue wiper 11 under cover 12. Latching tabs 27 extend upward from base 13 and are elastically engaged by sides 25 of cover 12. A lifting tab 28 may be provided to facilitate the opening of cover 12.

Preferably, base 13, clamps 14 and 15 and cover 12 are of rigid molded plastic. One very suitable material is a polypropylene of medium hardness, having the excellent bending fatigue resistance required by "live" hinge 24. Other materials, plastic or otherwise, may be satisfactory, and minor design changes to accommodate such materials are within the spirit of the invention. For example, "live" hinge 24 could be replaced by a conventional hinge.

Wiper holder 10 is used most often in dealing with the nose drip commonly afflicting the skier, who may open cover 12 to directly apply the exposed tissue wiper 11 to his nose. Subsequently, cover 12 may be closed, protecting the tissue wiper 11 but also concealing the soiled wiper from sight until it can later be discarded and replaced. Wiper 11 may be provided in the form of a stack of individual sheets of tissue as in FIG. 3, or as a pre-packaged flexible absorbent pad wiper 29 seen in FIG. 5. Absorbent wadding 30 is enclosed by upper and lower porous sheets 31 and 32 such as commonly used in diapers and called "stay-dry." The "stay-dry" liner adds to both the esthetics and the utility of the wiper 11. Absorbent pad wiper 29 is of proper dimensions to be clamped into holder 10 in the manner previously described for wiper tissue 11.

Another embodiment of wiper holder 10 is indicated in FIGS. 6 and 7, also adapted for the absorbent pad wiper 29. In this embodiment, absorbent pad wiper 29 is held upon a base 33 by an apertured frame 34 which engages pad 29 about its periphery and has frame latching tabs 35 for engaging base 33, to which it is "live" hinged. A cover 36, "live" hinged to frame 34 engages cover latching tabs 37 thereon, and is concavely contoured to provide clearance for absorbent pad wiper 29.

The wiper holder 10 may be adapted for securement to a skier's glove 38. (FIG. 8) In this embodiment, a flexible base sheet 39 has an upwardly facing VELCRO hook border strip 40, and a flexible cover sheet 41 attached along one of its edges and having a matching, downward facing VELCRO loop border 42. Clamp means, such as slots 43, secure wiper 11 to base sheet 39. This version of wiper holder 10 is secured, as by stitching, gluing or the like to glove 38. According to one variation, the outer skin 44 of glove 38 could serve as the base sheet, replacing illustrated base sheet 39, and having, for example, slots 43 therethrough for attaching wiper 11. This glove version of wiper holder 10 may also be adapted to utilize absorbent pad wiper 29. A similar version of wiper holder 10 could be adapted for securement to the sleeves of the skier's jacket, or for integration therewith.

The invention may therefore be embodied in other specific forms without departing from the spirit or essential characteristics thereof. The present embodiment is therefore to be considered in all respects as illustrative and not restrictive, the scope of the invention being indicated by the appended claims rather than by the

foregoing description, and all changes which come within the meaning and range of equivalency of the claims are therefore intended to be embraced herein.

What is claimed and desired to be secured by United States Letters Patent is:

1. A holder for face and nose wiper means, comprising:

means for securing the holder to an upper limb of a skier;

generally rigid base member means;

means for securing the wiper means to the holder comprising clamping means for securing the wiper means to the base member means;

generally rigid wiper covering means covering the wiper means when not being used and retractable with respect to the base member means to expose the wiper means for use.

2. The holder of claim 1, wherein:

the wiper clamping means comprise a pair of clamping members at opposite ends of the rigid base member means; and

the wiper cover means is hinged to one of the clamping members.

3. The holder of claim 2, wherein:

each clamping member includes a wiper means gripping portion and a pair of downstanding portions at opposite sides thereof, said pair of downstanding portions each being adapted to elastically grip the sides of the associated end of the base member means therebetween, so that each end of the wiper means is held between the gripping portion of the clamping member and the base member means.

4. The holder of claim 2, wherein:

the means for securing the holder to the limb of the skier comprises strap means connecting the opposite ends of the base member means.

5. The holder of claim 4, wherein:

the base member means includes a strap engaging transverse slot at each of its ends.

6. The holder of claim 5, wherein:

each wiper clamping member includes a strap engaging transverse slot indexed with the slot of the base member means, so that the clamping members and the base member means may be held together by the strap means.

7. The holder of claim 6, wherein:

the face and nose wiping means comprises facial tissue in sheet form.

8. The holder of claim 6, wherein:

the face and nose wiping means comprises a pre-packaged absorbent pad.

9. A holder for face and nose wiping means, comprising:

a generally rigid base member adapted to be secured to an upper limb of a skier;

a generally rigid, open centered frame member for holding the face wiping means around its periphery to the base member, said frame member being hingedly connected to the base member;

means for releasably latching the frame member to the base member; and

a wiper covering member hingedly connected to the frame member and releasably securable thereto in wiper covering position.

10. The holder of claim 9, wherein:

the face and nose wiping means comprises a pre-packaged absorbent pad.

* * * * *