



US00D545112S

(12) **United States Design Patent**
Meiry

(10) **Patent No.:** **US D545,112 S**

(45) **Date of Patent:** **** Jun. 26, 2007**

(54) **SLOT MACHINE SHAPED TOASTER**

(76) Inventor: **Ron Meiry**, 2368 N. Vallejo Way,
Upland, CA (US) 91784

(**) Term: **14 Years**

(21) Appl. No.: **29/269,907**

(22) Filed: **Dec. 11, 2006**

(51) **LOC (8) Cl.** **07-02**

(52) **U.S. Cl.** **D7/330**

(58) **Field of Classification Search** **D7/323,**
D7/328-333, 385, 390, 340, 341, 345-346,
D7/365, 367, 402, 405, 406, 407, 411; D13/158,
D13/162, 162.1, 163; D21/325, 329, 369-371,
D21/374, 385, 525; 99/331, 332, 341, 357,
99/375, 385, 391; 219/214, 388, 405, 443.1,
219/450.1, 492; 273/138.1; 368/250; 463/6,
463/16-17, 20, 46-47

See application file for complete search history.

(56) **References Cited**

U.S. PATENT DOCUMENTS

1,656,848 A * 1/1928 Wyatt 99/341
D86,611 S * 3/1932 Lagerquist et al. D7/328

3,800,691 A * 4/1974 Eaton et al. 99/391
D265,713 S * 8/1982 Schmidli D7/329
5,560,603 A * 10/1996 Seelig et al. 463/6
2003/0035346 A1* 2/2003 Laughlin 368/250

* cited by examiner

Primary Examiner—Cathron C. Brooks

Assistant Examiner—Ricky Pham

(57) **CLAIM**

The ornamental design for a slot machine shaped toaster, as shown.

DESCRIPTION

FIG. 1 is a perspective view of a slot machine shaped toaster, showing my new design;

FIG. 2 is a front elevational view thereof;

FIG. 3 is a rear elevational view thereof;

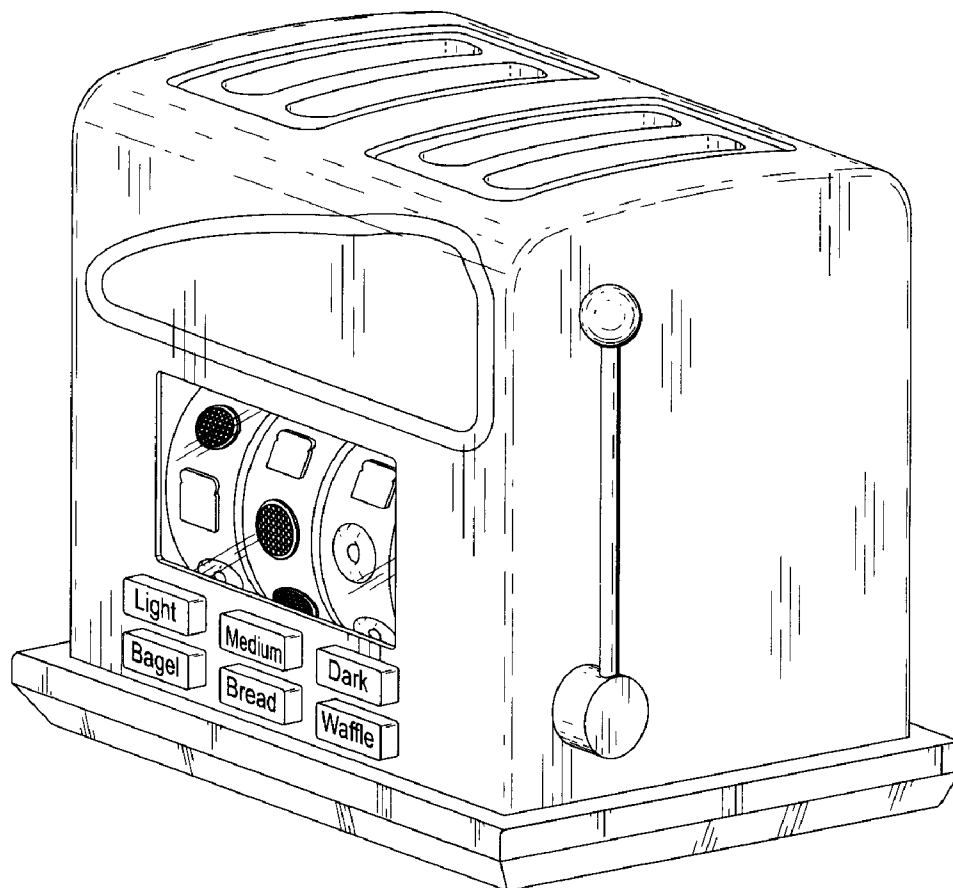
FIG. 4 is a left side elevational view thereof;

FIG. 5 is a right side elevational view thereof;

FIG. 6 is a top plan view thereof; and,

FIG. 7 is a bottom plan view thereof.

1 Claim, 3 Drawing Sheets



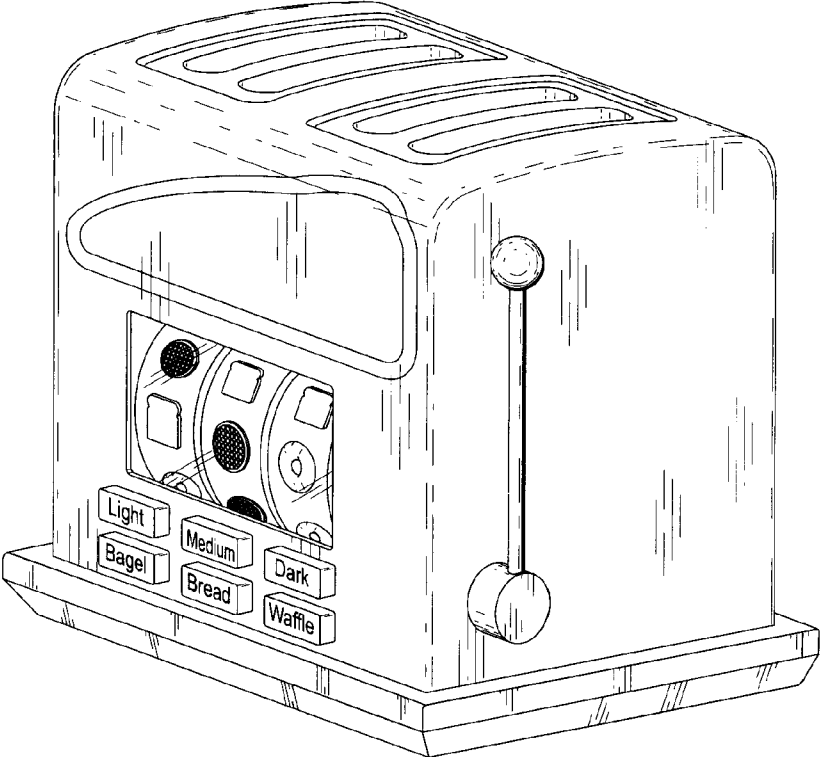


Fig. 1

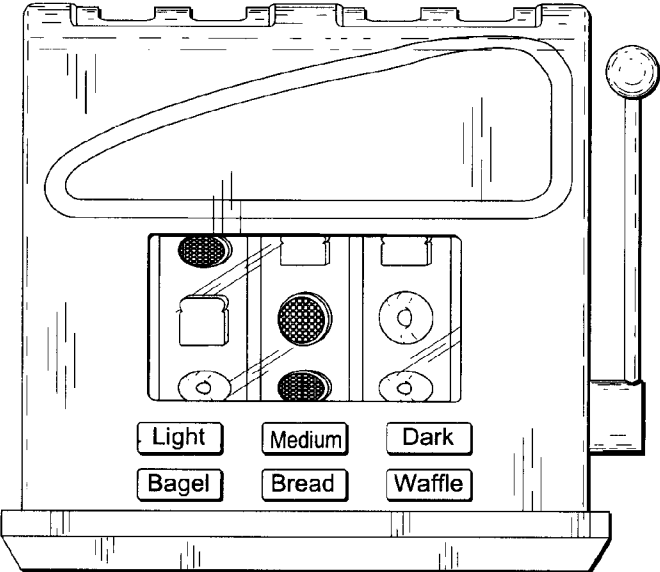


Fig. 2

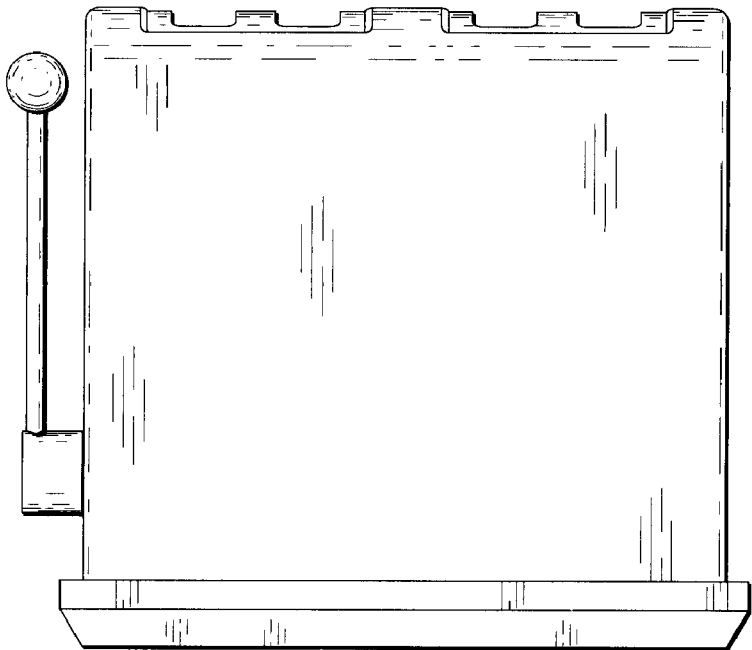


Fig. 3

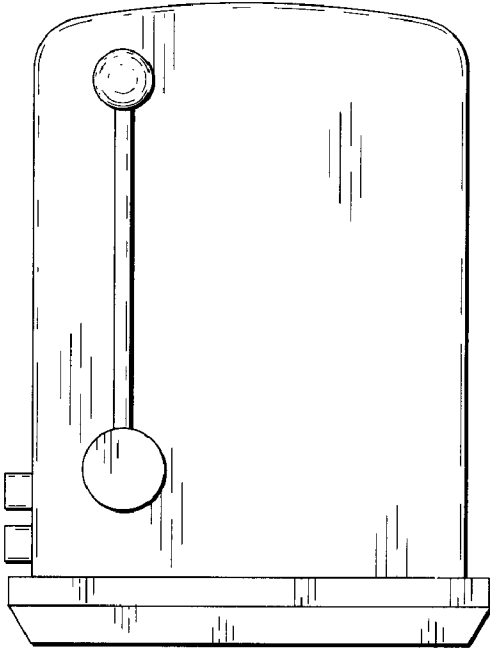


Fig. 4

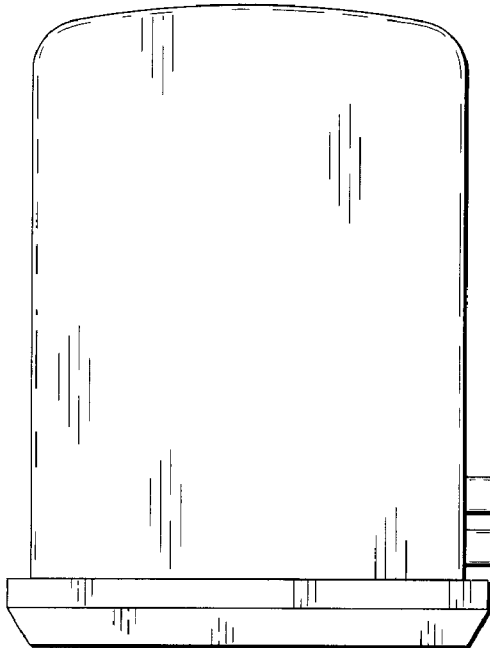


Fig. 5

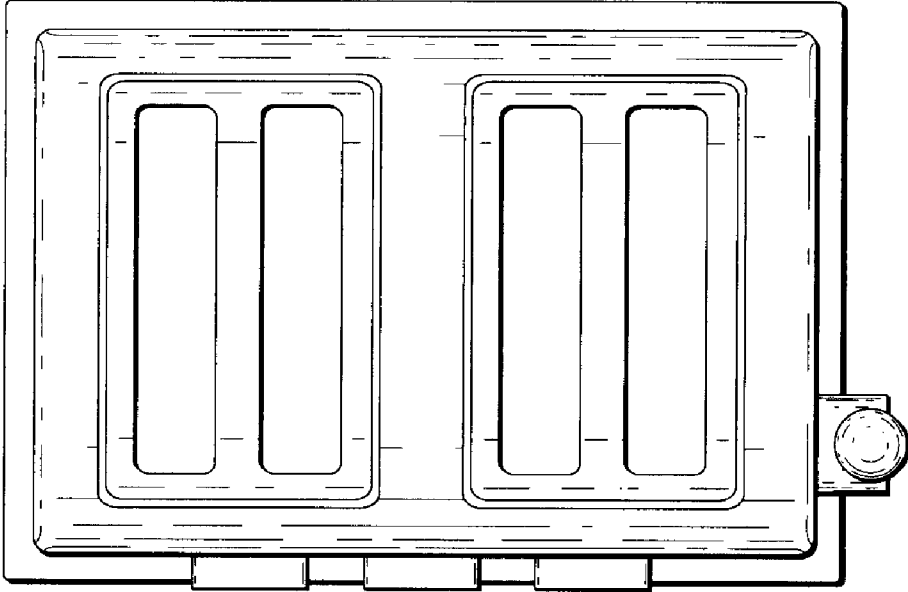


Fig. 6

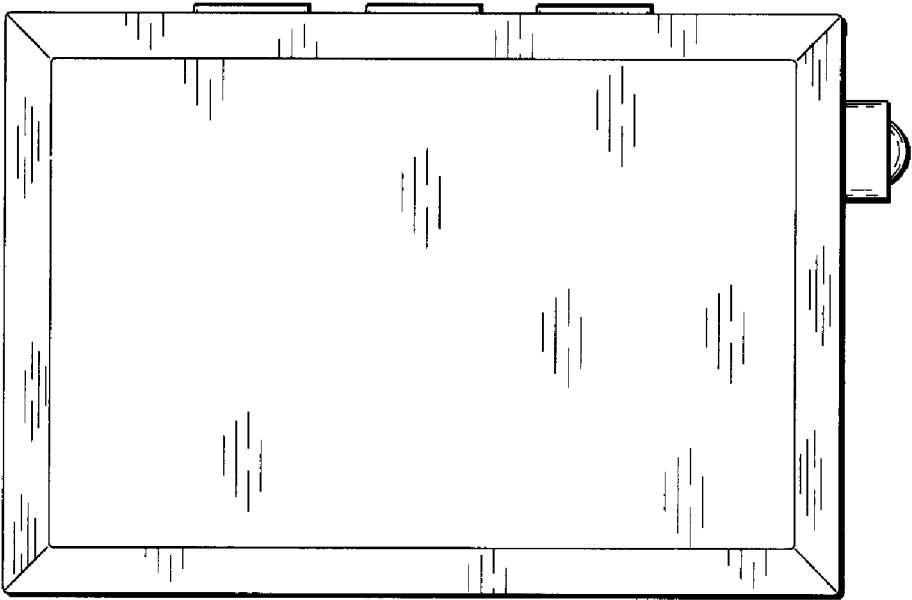


Fig. 7