



US00D657114S

(12) **United States Design Patent**
Anasis et al.

(10) **Patent No.:** **US D657,114 S**

(45) **Date of Patent:** **** Apr. 3, 2012**

(54) **AERIAL WORK CAGE**

6,823,964 B2 * 11/2004 Goode 182/3
8,016,074 B2 * 9/2011 Black et al. 182/113
2008/0087497 A1 * 4/2008 Boswell et al. 182/142

(75) Inventors: **George M. Anasis**, New Albany, OH (US); **Todd King**, Dublin, OH (US); **Jason Patch**, Columbus, OH (US)

OTHER PUBLICATIONS

Spider, "Temporary Access Solutions—Drum Hoists/Work Cages," Spider Solutions Catalog—3rd Edition, Jul. 10, 2008, pp. 46-79. US Trademark registration No. 1,385,728, Registered Mar. 11, 1986, Spider Staging, Inc, Seattle, Washington. US Trademark registration No. 1,398,243, Registered Jun. 24, 1986, Spider Staging, Inc, Seattle, Washington.

(73) Assignee: **Sky Climber, LLC**, Delaware, OH (US)

(**) Term: **14 Years**

* cited by examiner

(21) Appl. No.: **29/397,192**

Primary Examiner — Cynthia Ramirez

(22) Filed: **Jul. 13, 2011**

(74) *Attorney, Agent, or Firm* — David J. Dawsey; Michael J. Gallagher; Gallagher & Dawsey Co., LPA

(51) **LOC (9) Cl.** **12-05**

(52) **U.S. Cl.** **D34/37**

(58) **Field of Classification Search** D34/28,
D34/33, 35, 37; 254/325, 334, 326, 327,
254/338; 212/223, 255, 253; 182/2.11, 2.1,
182/141, 448, 127, 119

(57) **CLAIM**

We claim the ornamental design for an aerial work cage, as shown and described.

See application file for complete search history.

DESCRIPTION

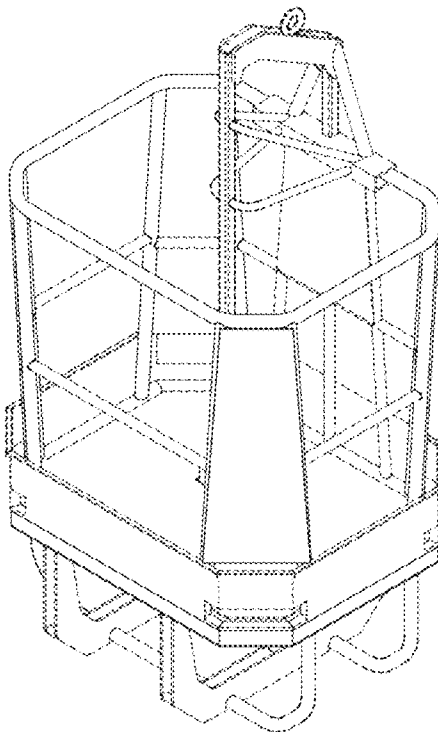
FIG. 1 is a front isometric view of an aerial work cage showing our new design; FIG. 2 is a rear isometric view thereof; FIG. 3 is a right elevation view thereof; FIG. 4 is a left elevation view thereof; FIG. 5 is a front elevation view thereof; FIG. 6 is a rear elevation view thereof; FIG. 7 is a top plan view thereof; and, FIG. 8 is a bottom plan view thereof. The broken lines are for illustrative purposes only and form no part of the claimed design.

(56) **References Cited**

U.S. PATENT DOCUMENTS

D189,182 S *	11/1960	Holan et al.	D34/37
3,516,514 A *	6/1970	Dold et al.	182/46
4,754,840 A *	7/1988	MacDonald et al.	182/2.3
5,722,505 A *	3/1998	Grabner et al.	182/148
5,727,645 A *	3/1998	Woodling	182/2.1
5,944,138 A *	8/1999	Vollmer et al.	182/2.1
6,024,191 A *	2/2000	Backer et al.	182/69.6
6,250,485 B1 *	6/2001	Olson	212/260

1 Claim, 5 Drawing Sheets



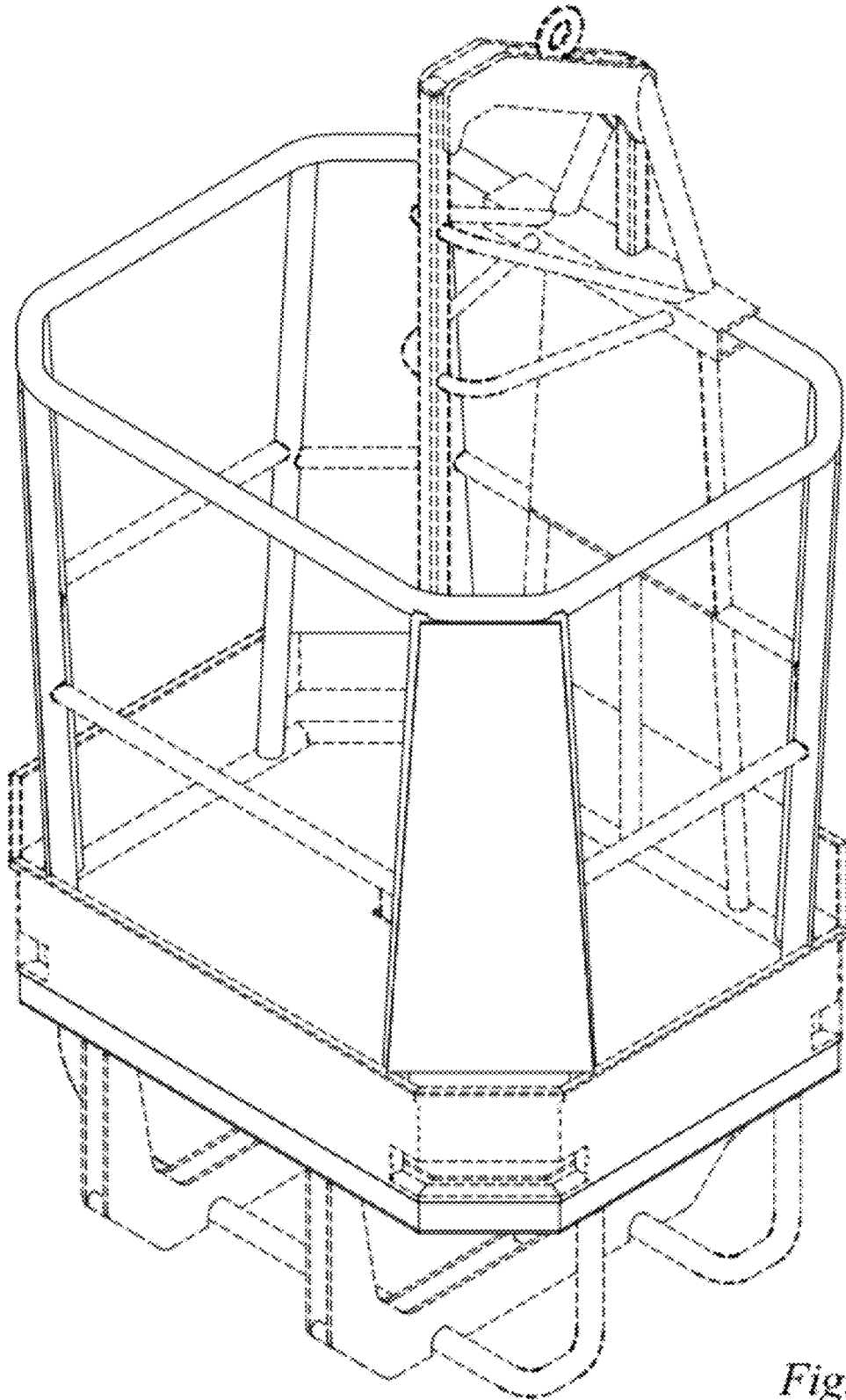


Fig. 1

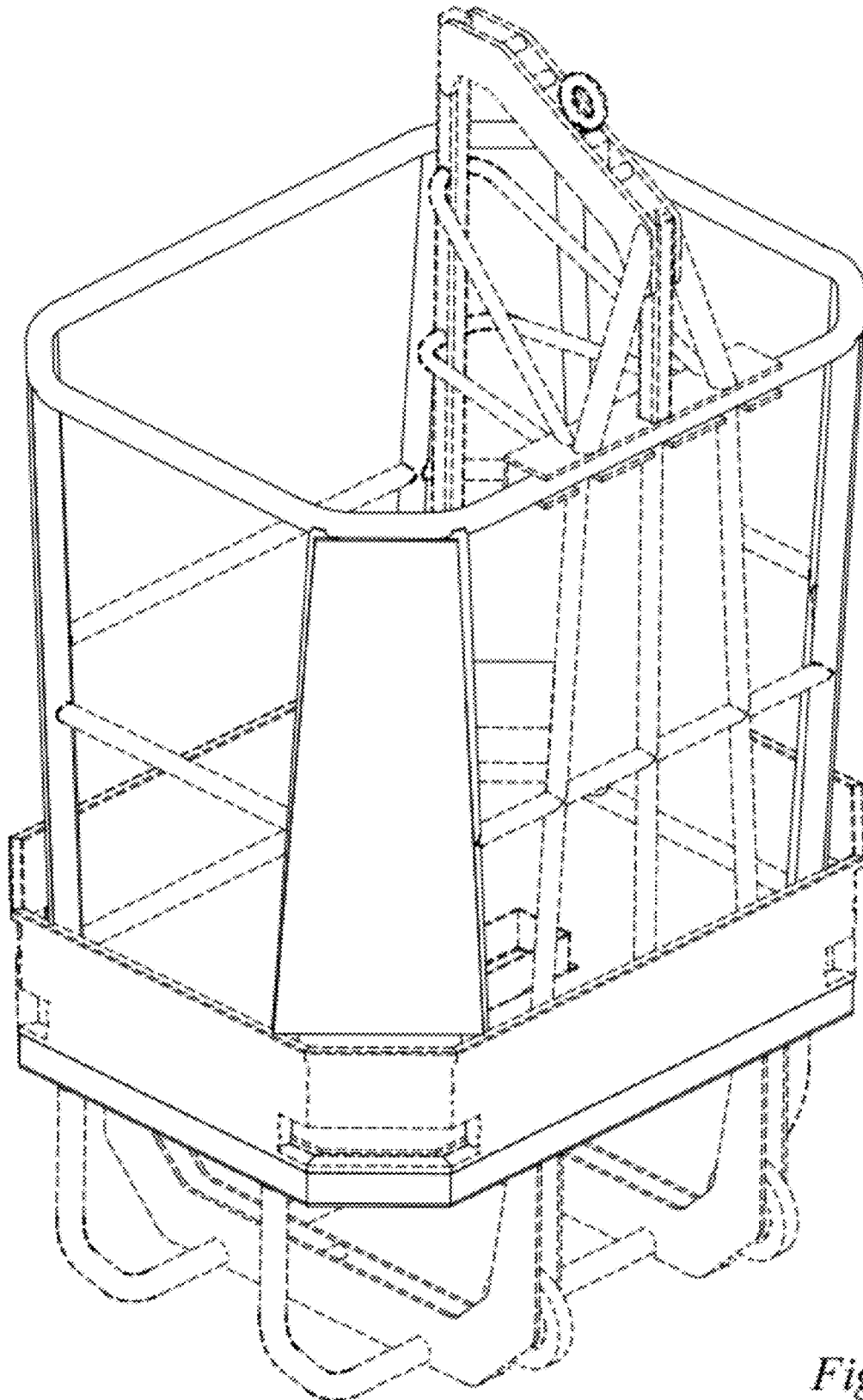


Fig. 2

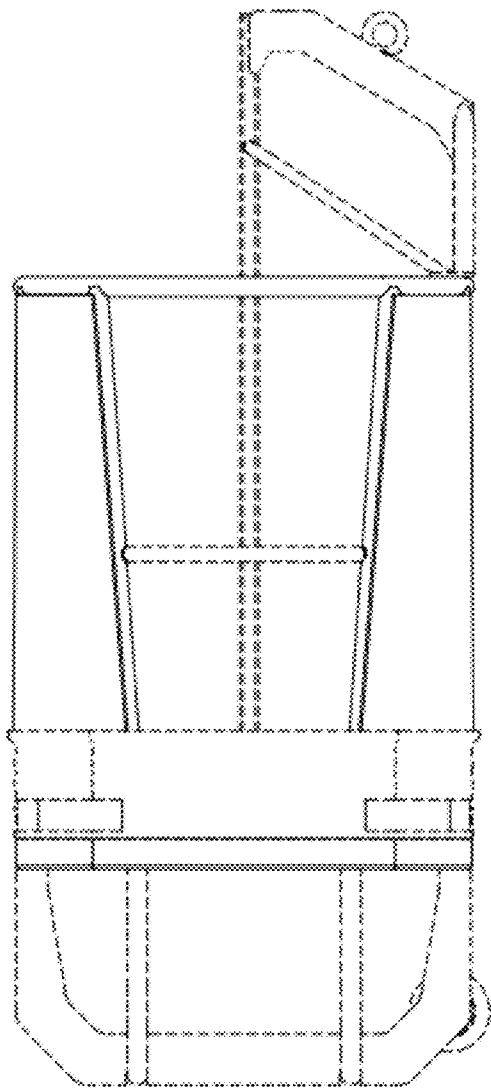


Fig. 3

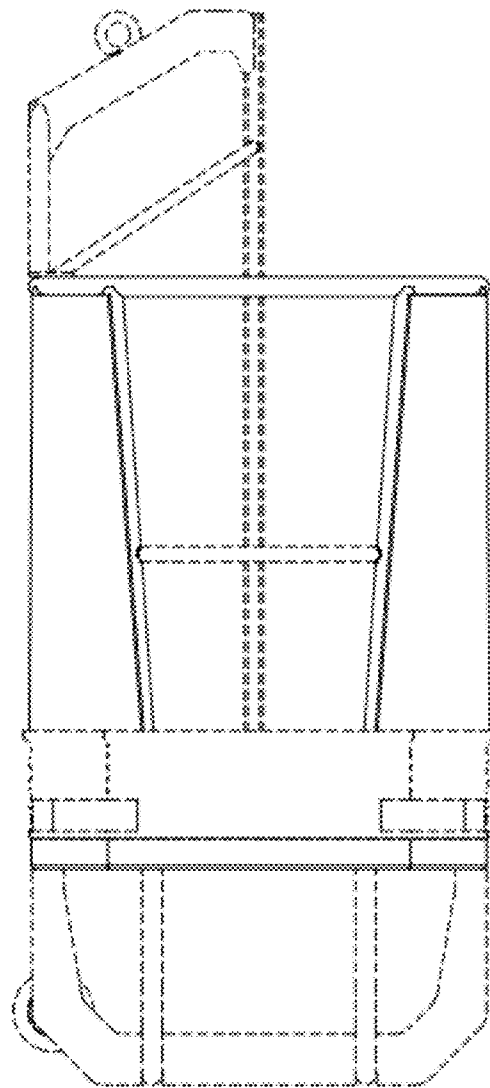


Fig. 4

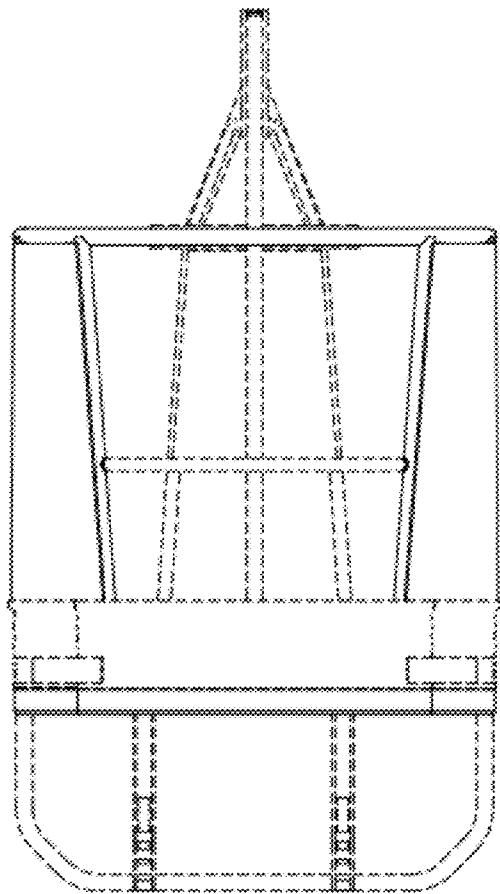


Fig. 5

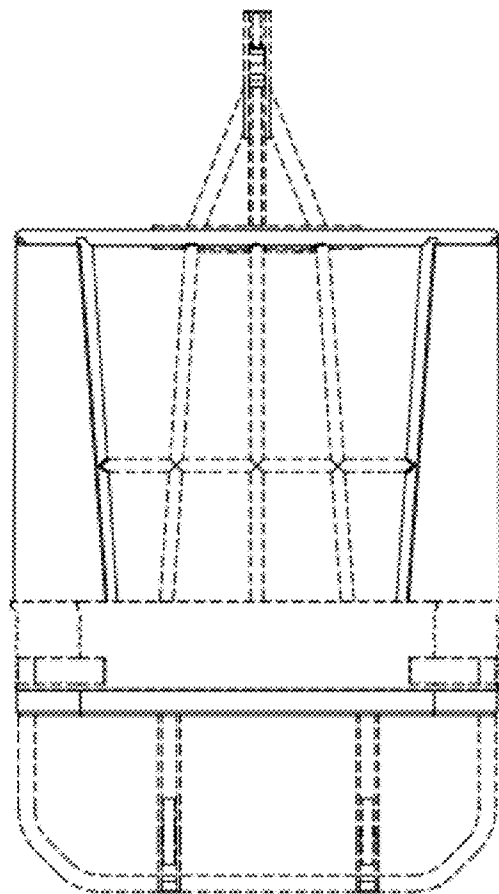


Fig. 6

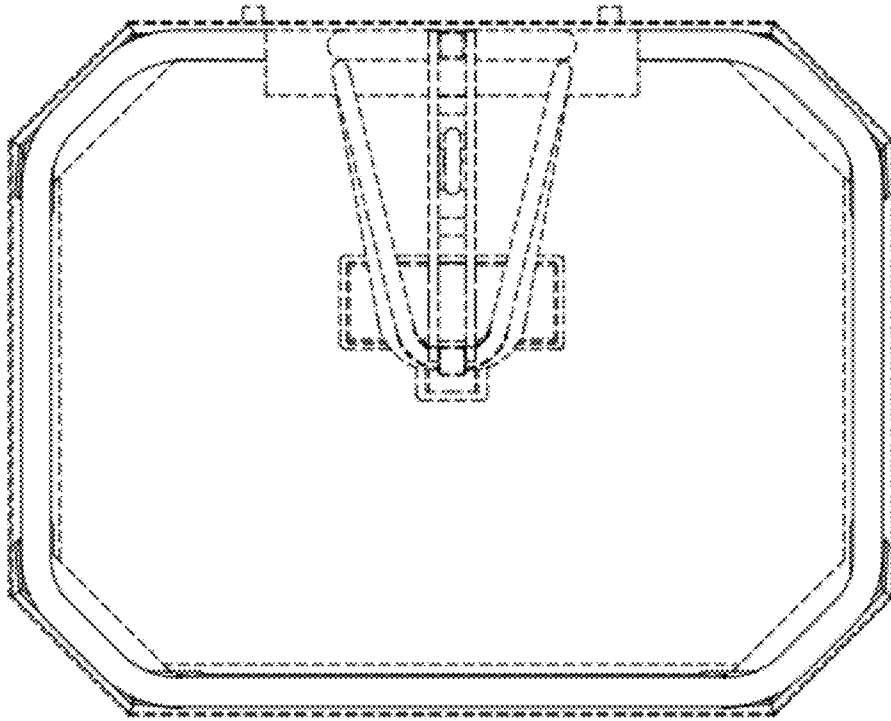


Fig. 7

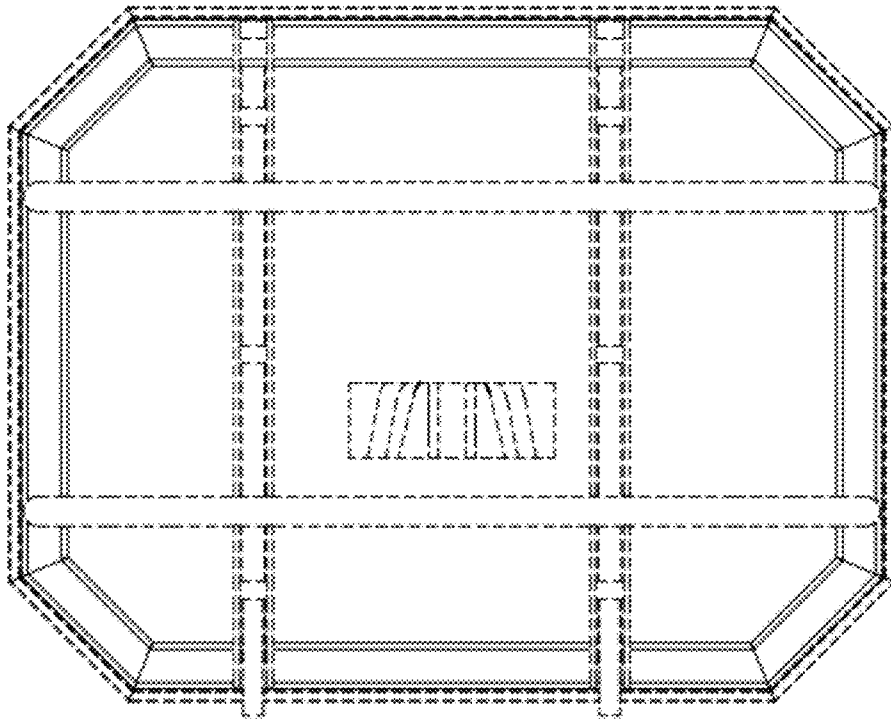


Fig. 8