



US00D701649S

(12) **United States Design Patent**
Church et al.

(10) **Patent No.:** **US D701,649 S**

(45) **Date of Patent:** **** Mar. 25, 2014**

(54) **SAFETY HELMET**

(71) Applicant: **Helmet Integrated Systems Limited,**
Letchworth (GB)

(72) Inventors: **Colin Church,** Letchworth (GB);
Richard Cartwright, Letchworth (GB)

(73) Assignee: **Helmet Integrated Systems Limited,**
Letchworth (GB)

(**) Term: **14 Years**

(21) Appl. No.: **29/433,340**

(22) Filed: **Sep. 28, 2012**

(30) **Foreign Application Priority Data**

Sep. 27, 2012 (EM) 001346043-0001

(51) **LOC (10) Cl.** **02-03**

(52) **U.S. Cl.**
USPC **D29/107**

(58) **Field of Classification Search**

USPC D29/102-110, 122; 2/200.1, 200.2,
2/202, 205, 208, 181, 171, 171.1, 171.3,
2/410-414, 416, 421-425, 427, 5, 6.1,
2/6.3, 6.5, 6.6, 6.7, 7-9, 8.2, 457, 2.11,
2/2.14, 2.15, 209.13, 206, 468, 209.4,
2/175.4, 175.6; D2/875, 865, 869, 880,
D2/175.6, 877, 891, 895, 892; D24/110.3,
D24/110.2; 128/201.23, 201.24, 201.29,
128/202.11; D16/208; 396/429, 433;
348/373; 250/330; 345/8

See application file for complete search history.

(56) **References Cited**

U.S. PATENT DOCUMENTS

D200,757 S * 4/1965 Hiatt et al. D29/107
D254,100 S * 2/1980 Breger D29/105
4,222,123 A * 9/1980 Hellberg 2/10
D473,975 S * 4/2003 Batts D29/103
D595,014 S * 6/2009 Tinus D29/107
D638,168 S * 5/2011 Lebel et al. D29/107
8,166,575 B2 * 5/2012 Haselmayer 2/422
2011/0023204 A1 * 2/2011 Brace 2/8.2
2011/0277224 A1 * 11/2011 Okuma et al. 2/424

* cited by examiner

Primary Examiner — Ruth McInroy

(74) *Attorney, Agent, or Firm* — David J. Dawset; Michael J.
Gallagher; Gallagher & Dawsey Co., LPA

(57) **CLAIM**

We claim the ornamental design for a safety helmet, as shown
and described.

DESCRIPTION

FIG. 1 is a top plan view of a safety helmet showing our new
design;

FIG. 2 is a left side elevation view thereof;

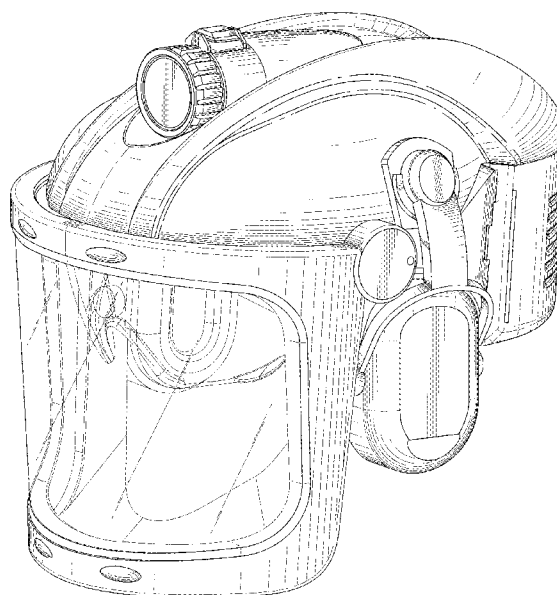
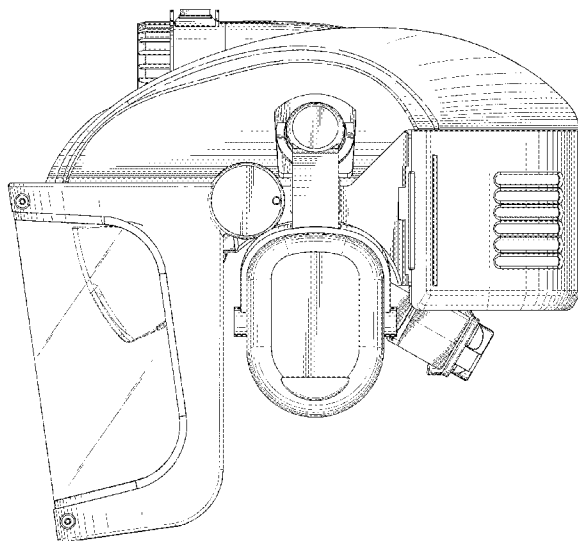
FIG. 3 is a front elevation view thereof;

FIG. 4 is a right side elevation view thereof;

FIG. 5 is a perspective view thereof; and,

FIG. 6 is a rear elevation view thereof.

1 Claim, 6 Drawing Sheets



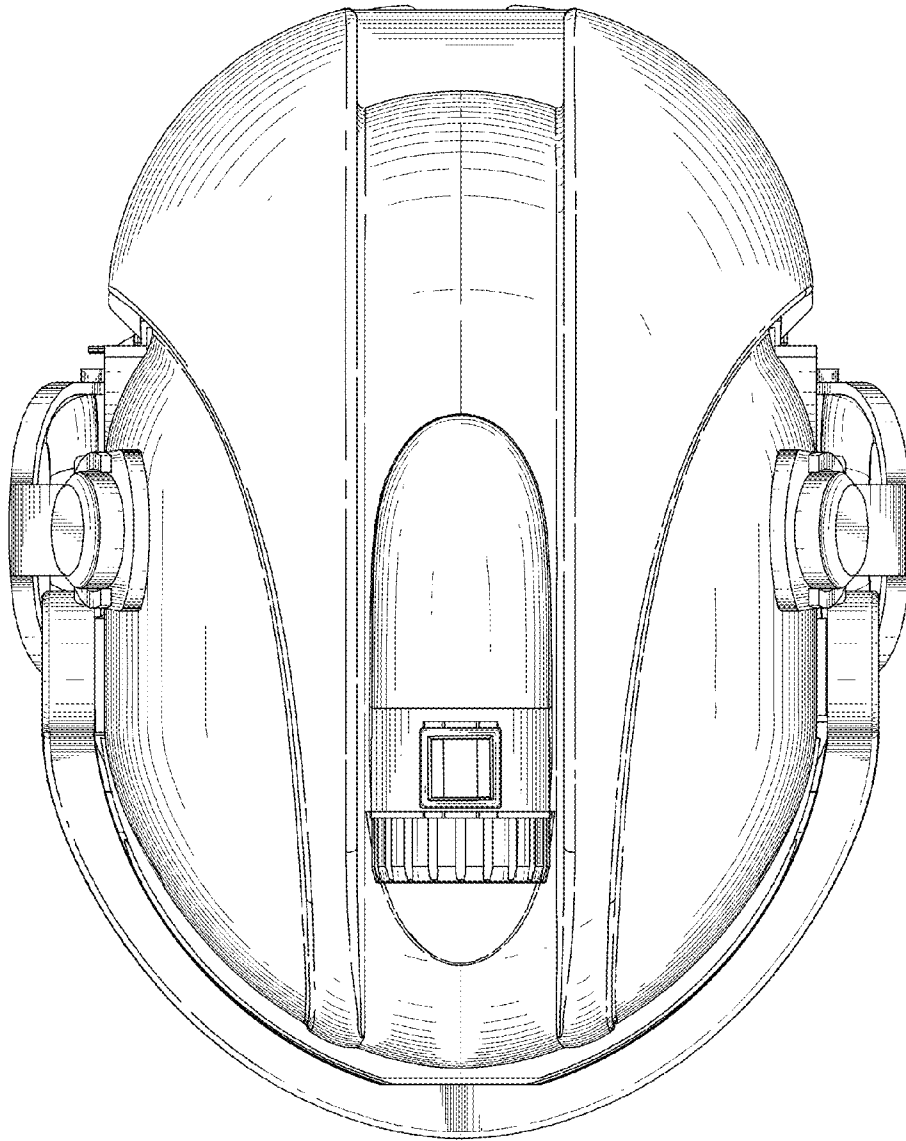


FIG. 1

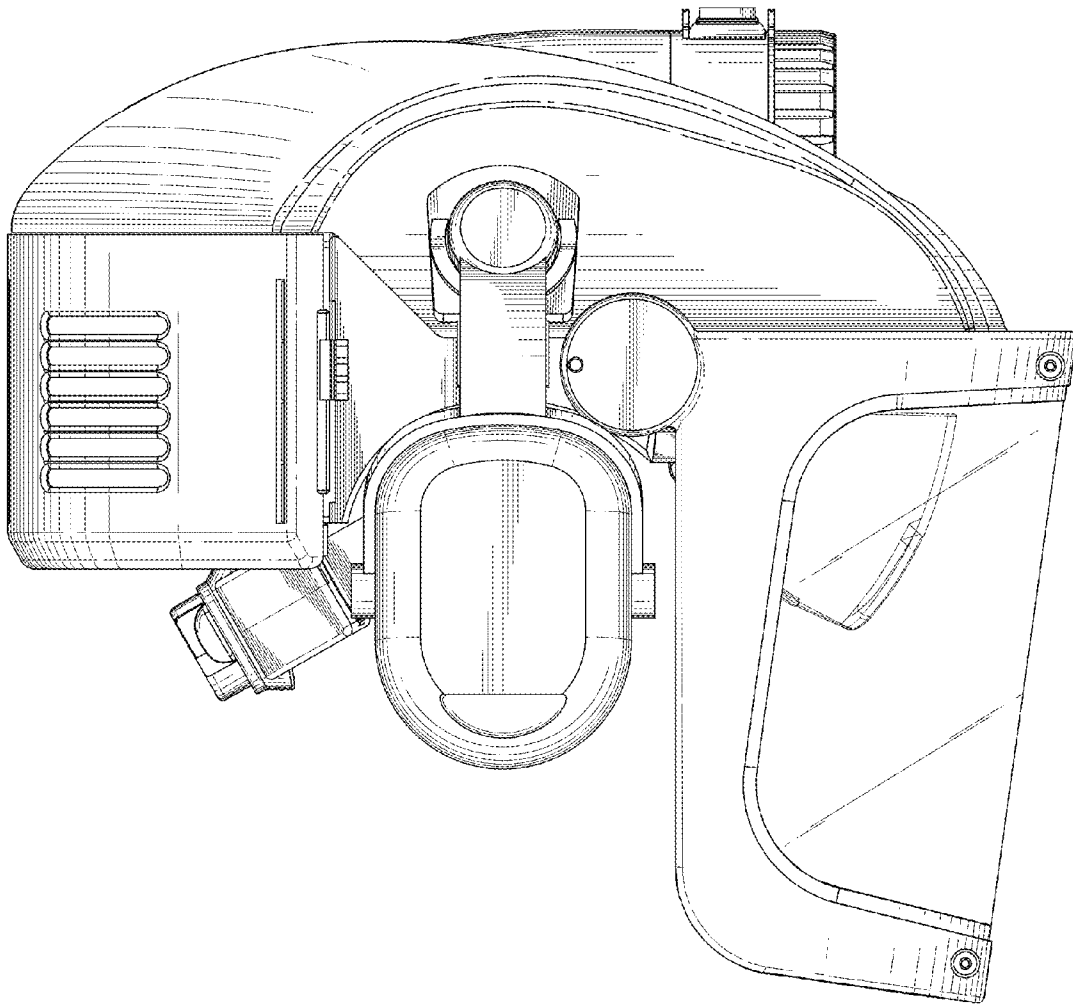


FIG. 2

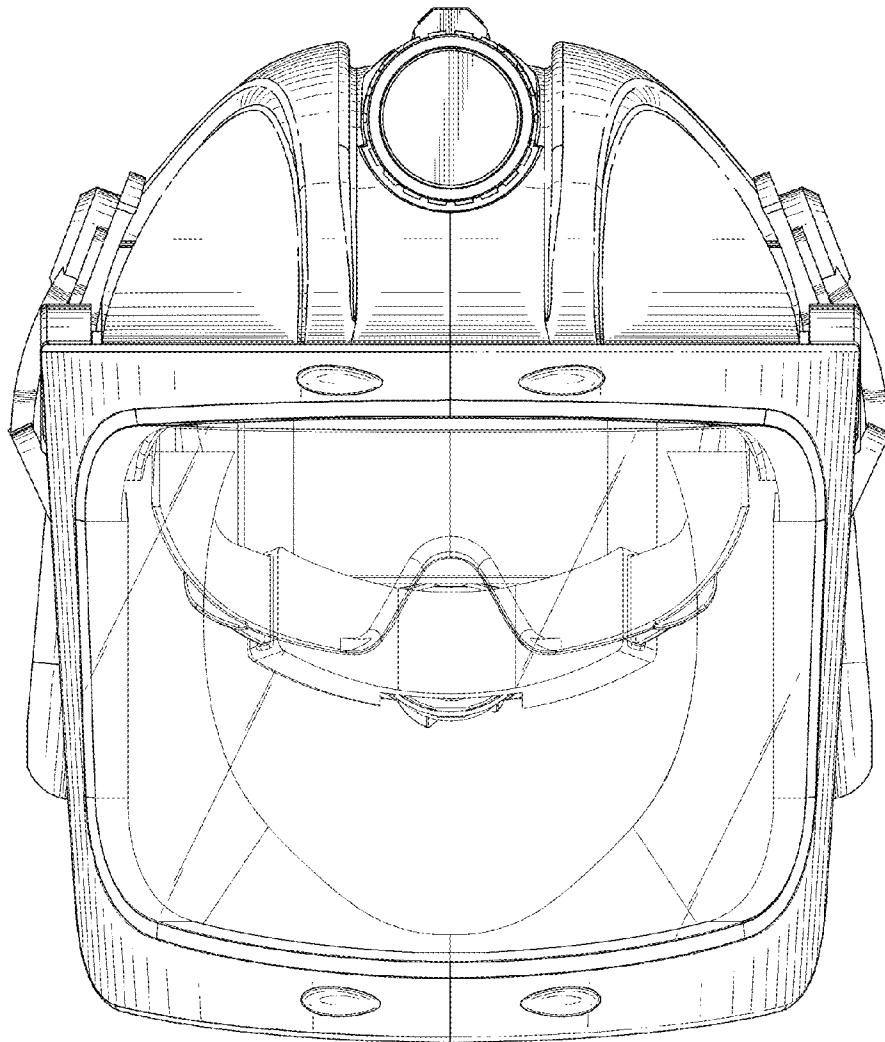


FIG. 3

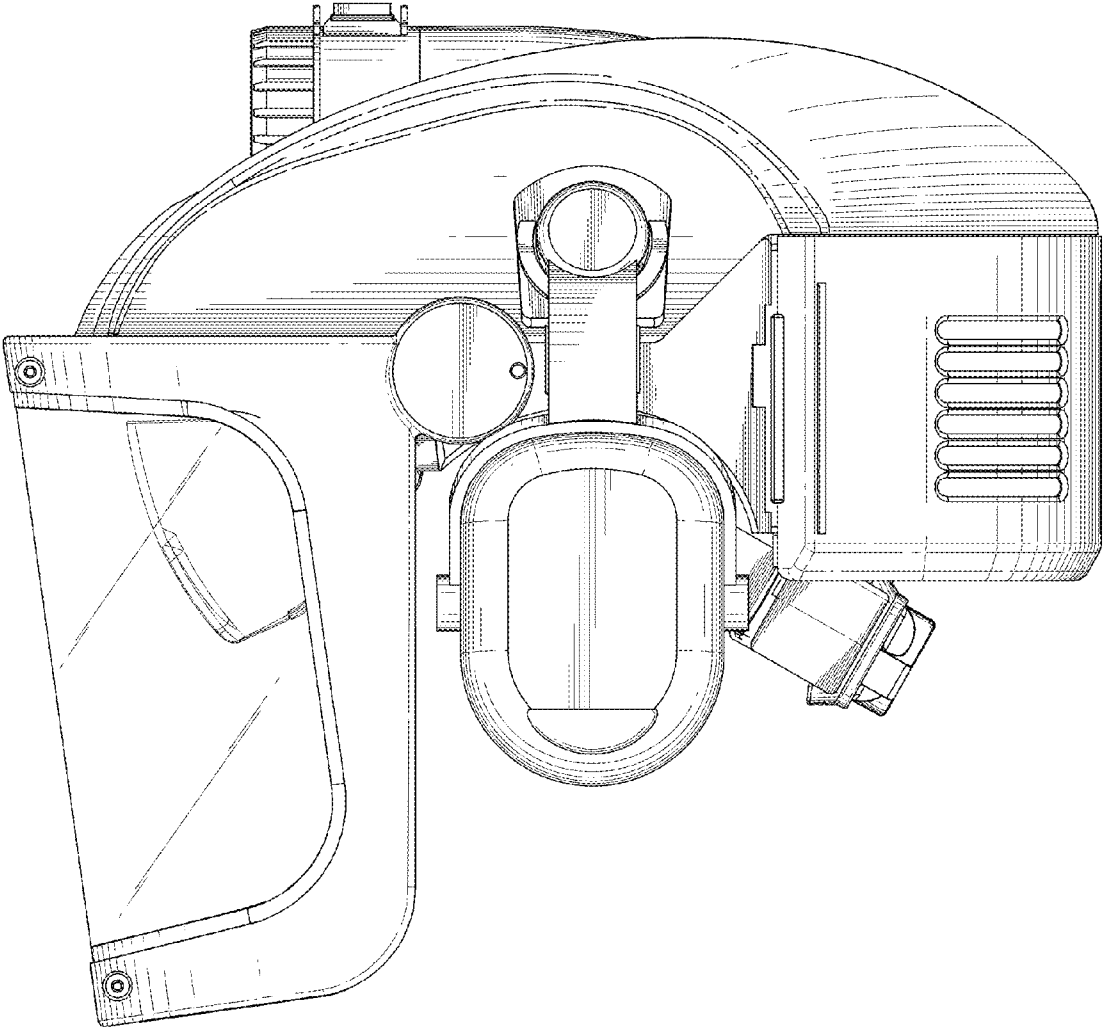


FIG. 4

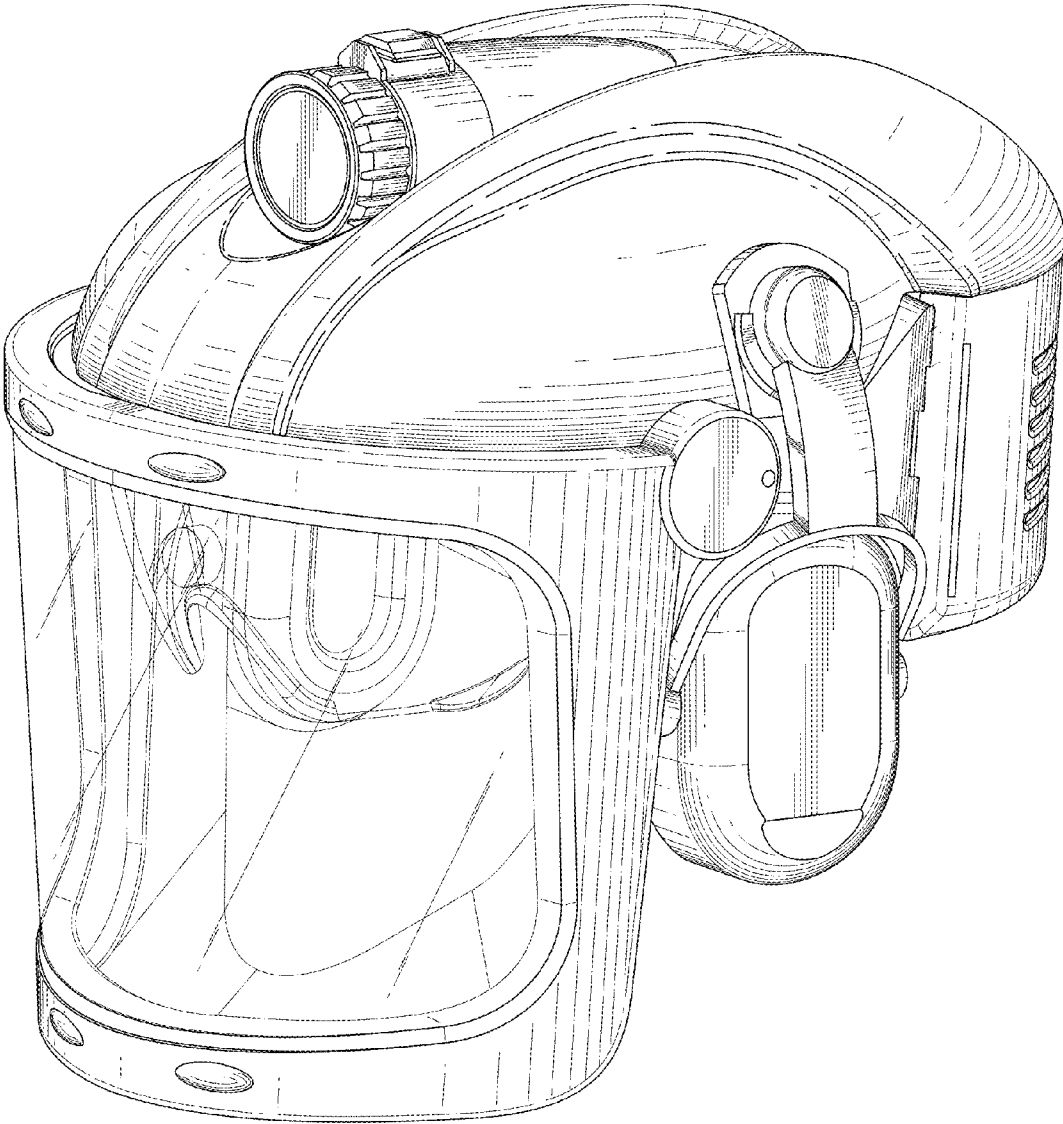


FIG. 5

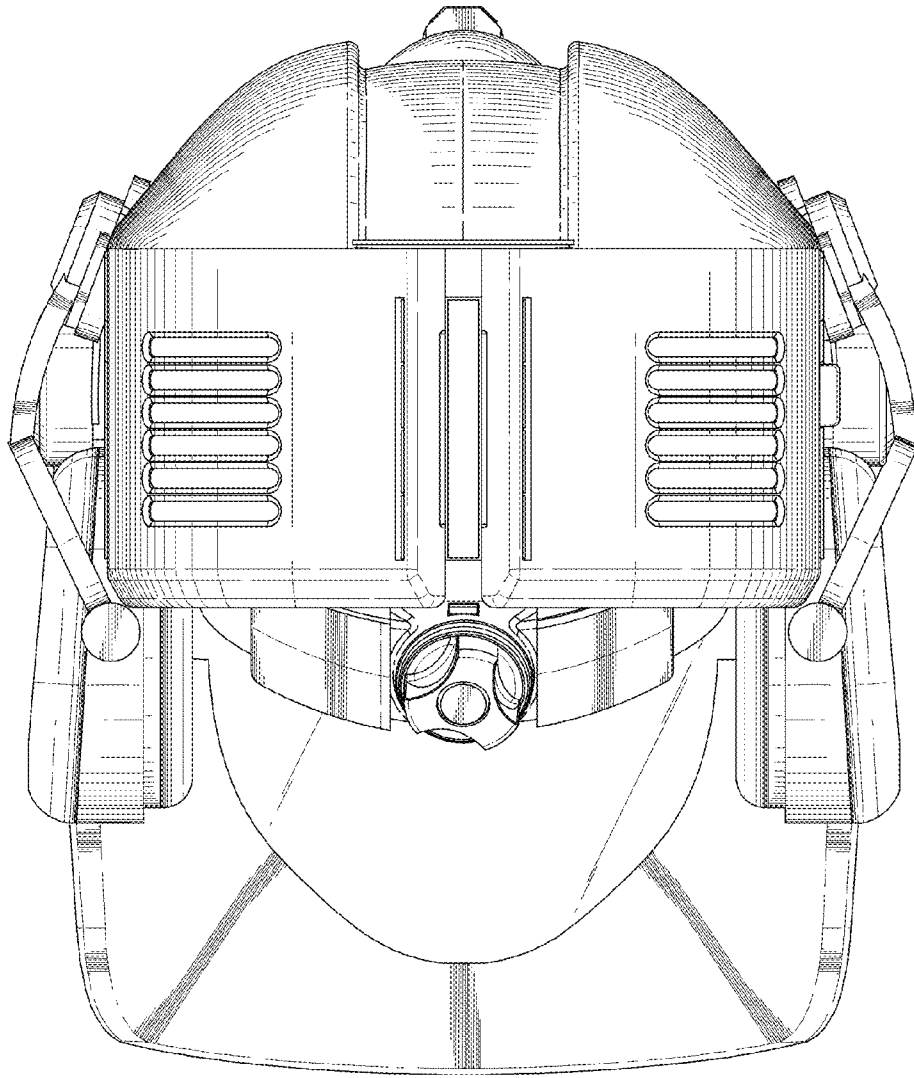


FIG. 6