



US00D879228S

(12) **United States Design Patent**  
**Taft**

(10) **Patent No.:** **US D879,228 S**

(45) **Date of Patent:** **\*\* Mar. 24, 2020**

(54) **PUTTING TARGET**

(71) Applicant: **Carlton Taft**, Thousand Palms, CA (US)

(72) Inventor: **Carlton Taft**, Thousand Palms, CA (US)

(\*\*) Term: **15 Years**

(21) Appl. No.: **29/612,462**

(22) Filed: **Aug. 1, 2017**

(51) **LOC (12) Cl.** ..... **21-02**

(52) **U.S. Cl.**  
USPC ..... **D21/790**

(58) **Field of Classification Search**  
USPC ..... D21/300, 301, 302, 303, 304, 318, 319, D21/322, 334, 335, 336, 341, 342, 343, D21/365, 385, 386, 390, 789, 790, 791, D21/396, 397; D6/302, 309, 310, 312, D6/332; 273/17, 331, 336, 398, 400, 273/402, 407, 408, 410, 118 R, 123 R, 273/348, 386  
CPC ..... A63B 63/00; A63B 63/08; A63B 67/00; A63B 71/00  
See application file for complete search history.

D239,949 S \* 5/1976 Trombetta, Jr. .... D21/303  
D246,059 S \* 10/1977 Malish ..... D21/303  
4,743,026 A 5/1988 Eady  
4,943,065 A \* 7/1990 DeLapa ..... A63B 67/06  
273/402  
5,108,101 A 4/1992 Postula  
D330,227 S \* 10/1992 Franklin ..... D21/303  
5,261,670 A 11/1993 Mull  
5,553,862 A \* 9/1996 Konotopsky ..... A63B 67/06  
273/402  
D375,530 S \* 11/1996 Rudd ..... D21/303  
5,607,360 A 3/1997 Shiffman  
5,738,594 A 4/1998 Kinney  
5,765,832 A \* 6/1998 Huff ..... A63B 63/08  
273/354  
5,871,216 A \* 2/1999 Sparacino ..... A63B 63/08  
273/402  
D438,910 S \* 3/2001 Culberson ..... D21/303  
(Continued)

*Primary Examiner* — Sandra S Snapp  
*Assistant Examiner* — Mehri F Bajoul  
(74) *Attorney, Agent, or Firm* — Dawsey Co., LPA;  
David J. Dawsey

(57) **CLAIM**

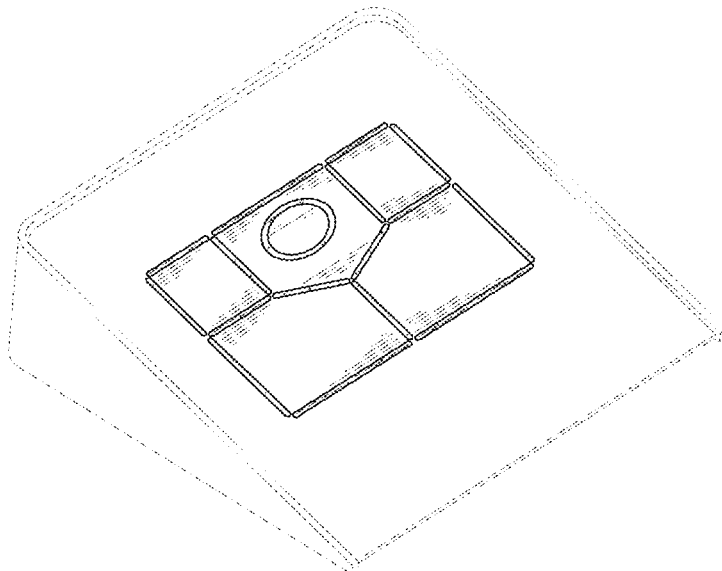
The ornamental design for a putting target, as shown and described.

**DESCRIPTION**

FIG. 1 is a perspective view of a putting target showing my new design;  
FIG. 2 is a top plan view thereof;  
FIG. 3 is a bottom plan view thereof;  
FIG. 4 is a right side elevation view thereof;  
FIG. 5 is a left side elevation view thereof;  
FIG. 6 is a front elevation view thereof; and,  
FIG. 7 is a rear elevation view thereof.  
The broken lines shown in the figures depict portions of the putting target that form no part of the claimed design.

**1 Claim, 5 Drawing Sheets**

(56) **References Cited**  
U.S. PATENT DOCUMENTS  
1,473,308 A \* 11/1923 Martin ..... A63B 63/00  
273/317.6  
3,351,345 A 11/1967 Robinette  
3,476,076 A 11/1969 McDougall  
3,584,877 A 6/1971 Florian  
3,727,918 A 4/1973 Zawacki  
3,837,650 A \* 9/1974 Haney ..... A63F 9/001  
273/402  
3,844,558 A 10/1974 Gigliotti  
3,856,313 A 12/1974 Tierney  
3,944,232 A 3/1976 Tierney



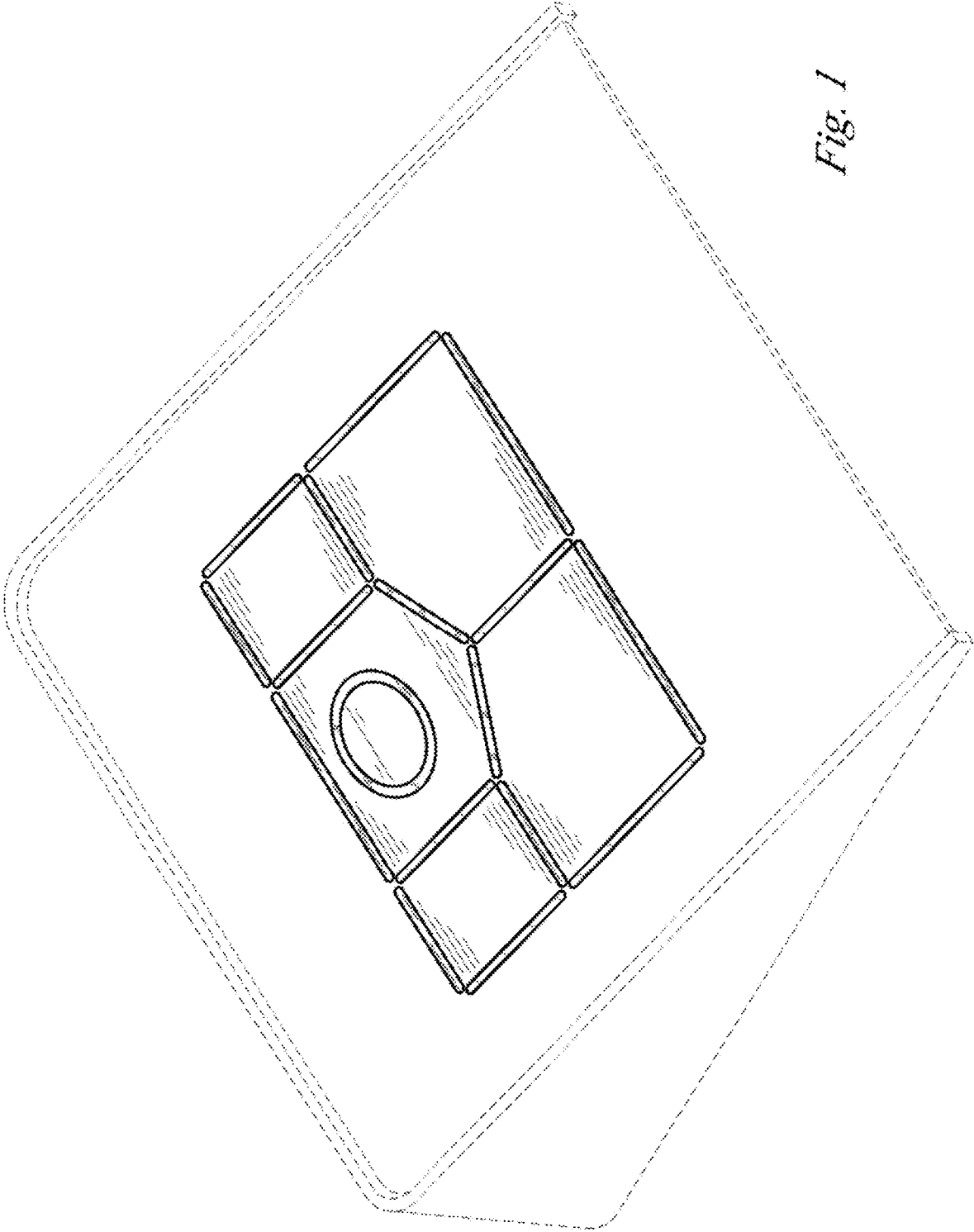
(56)

**References Cited**

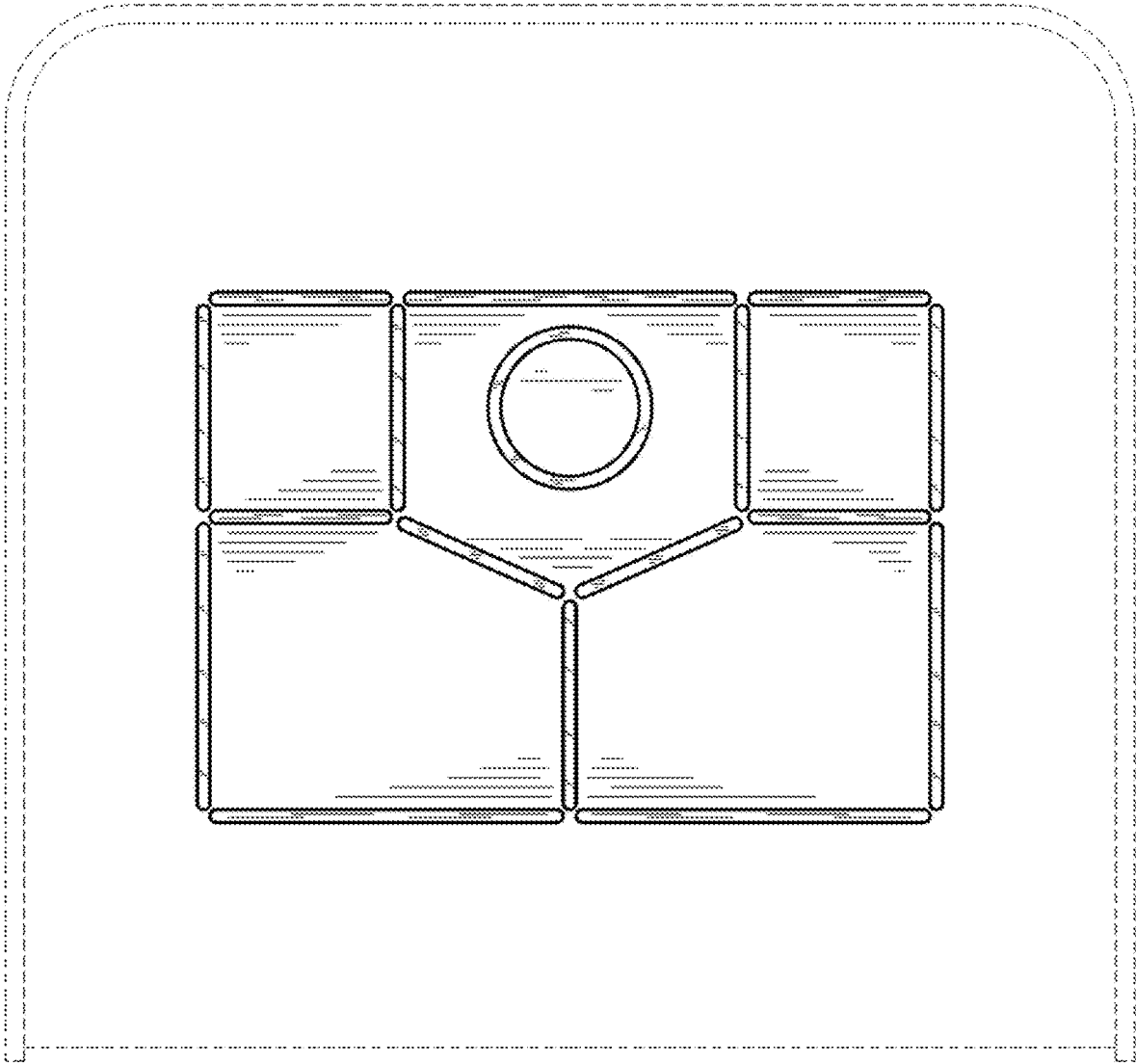
## U.S. PATENT DOCUMENTS

6,244,598	B1 *	6/2001	Conville	.....	A63B 63/00 273/402	D706,353	S *	6/2014	Montenare	.....	D21/303
6,419,590	B1	7/2002	Criger			D706,354	S *	6/2014	Montenare	.....	D21/303
6,837,798	B1	1/2005	Medcalf			D706,355	S *	6/2014	Montenare	.....	D21/303
6,932,345	B1 *	8/2005	O'Dell	.....	A63B 63/00 273/402	D721,137	S *	1/2015	Sindaco	.....	D21/303
D540,406	S *	4/2007	Edmondson, Jr.	.....	D21/699	D729,319	S *	5/2015	Meissner	.....	D21/303
D544,041	S *	6/2007	Murphy	.....	D21/303	9,168,442	B2	10/2015	Covino et al.		
7,607,666	B1 *	10/2009	Studier	.....	A63B 63/00 116/222	D815,693	S *	4/2018	Sindaco	.....	D21/303
D635,197	S *	3/2011	Pryor	.....	D21/303	D827,031	S *	8/2018	Valladares	.....	D21/303
D645,520	S *	9/2011	Dahl	.....	D21/303	D827,078	S *	8/2018	McAuley	.....	D21/790
D646,334	S *	10/2011	Ingram	.....	D21/303	D838,791	S *	1/2019	Schneider	.....	D21/699
D649,601	S *	11/2011	Buchanan	.....	D21/303	2005/0153788	A1	7/2005	Saldana		
8,662,501	B1 *	3/2014	Perales	.....	A63B 63/08 108/44	2006/0217212	A1	9/2006	Sindelar et al.		
8,702,528	B1	4/2014	Montgomery			2007/0063447	A1 *	3/2007	Gholson	.....	A63B 67/06 273/400
						2010/0181726	A1 *	7/2010	Bos	.....	A63B 67/06 273/336
						2015/0209637	A1	7/2015	Curtis		
						2017/0340937	A1 *	11/2017	Poetter	.....	A63B 67/06
						2018/0043227	A1 *	2/2018	Seegerstrom	.....	A63F 9/0204

\* cited by examiner



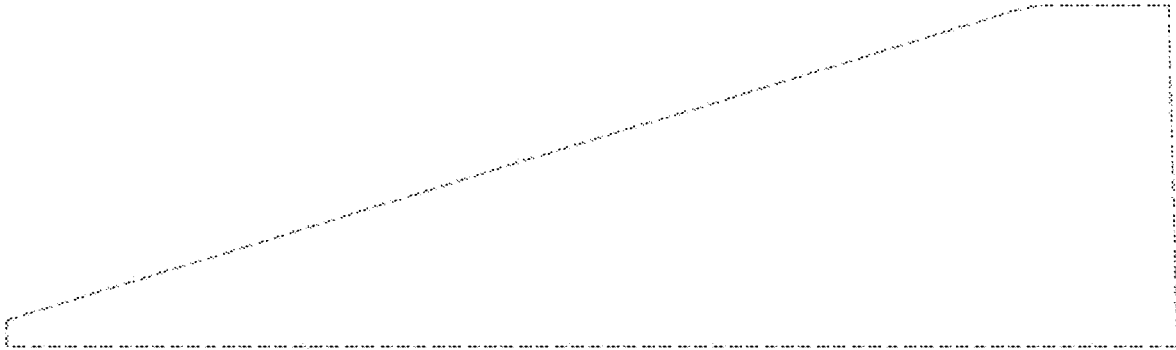
*Fig. 1*



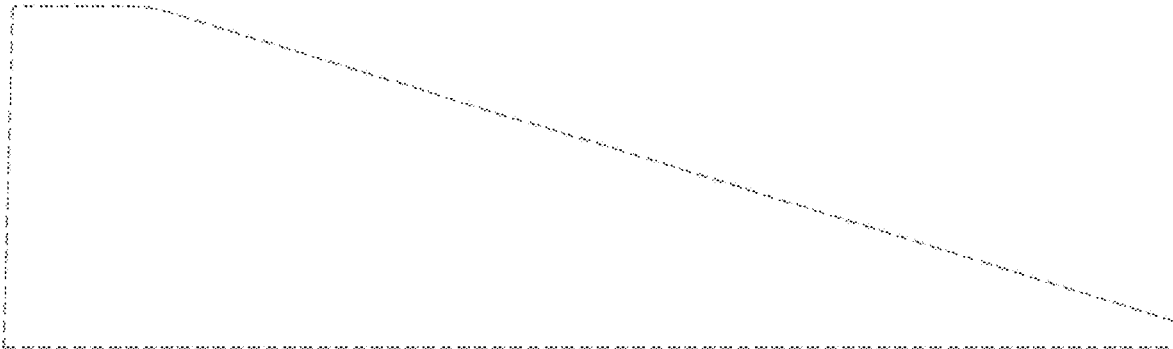
*Fig. 2*



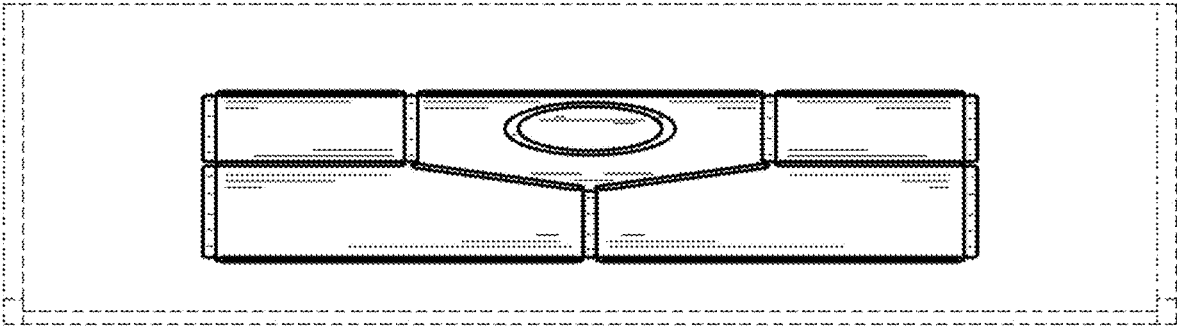
*Fig. 3*



*Fig. 4*



*Fig. 5*



*Fig. 6*



*Fig. 7*