



US010888749B2

(12) **United States Patent**
Honea et al.

(10) **Patent No.:** **US 10,888,749 B2**
(45) **Date of Patent:** ***Jan. 12, 2021**

- (54) **IRON TYPE GOLF CLUB HEAD AND SET**
- (71) Applicant: **TAYLOR MADE GOLF COMPANY, INC.**, Carlsbad, CA (US)
- (72) Inventors: **Justin Honea**, Richardson, TX (US); **John Kendall**, Wylie, TX (US); **Matthew Brian Neeley**, Dallas, TX (US)
- (73) Assignee: **TAYLOR MADE GOLF COMPANY, INC.**, Carlsbad, CA (US)
- (*) Notice: Subject to any disclaimer, the term of this patent is extended or adjusted under 35 U.S.C. 154(b) by 0 days.

This patent is subject to a terminal disclaimer.

(21) Appl. No.: **16/524,240**
(22) Filed: **Jul. 29, 2019**

(65) **Prior Publication Data**
US 2019/0351296 A1 Nov. 21, 2019

Related U.S. Application Data
(60) Continuation of application No. 15/794,473, filed on Oct. 26, 2017, now Pat. No. 10,398,950, which is a division of application No. 13/842,545, filed on Mar. 15, 2013, now Pat. No. 9,802,089.

- (51) **Int. Cl.**
A63B 53/00 (2015.01)
A63B 53/04 (2015.01)
A63B 60/54 (2015.01)
- (52) **U.S. Cl.**
CPC *A63B 53/047* (2013.01); *A63B 53/0475* (2013.01); *A63B 60/54* (2015.10); *A63B 53/0433* (2020.08); *A63B 2053/0491* (2013.01)

(58) **Field of Classification Search**
CPC A63B 53/0475
See application file for complete search history.

(56) **References Cited**
U.S. PATENT DOCUMENTS

550,976 A	12/1895	Jennings
632,885 A	9/1899	Sweny
819,900 A	5/1906	Martin
1,154,490 A	9/1915	Davis
1,541,126 A	6/1925	Dunn
1,705,997 A	3/1929	Quynn
1,835,718 A	12/1931	Morton
1,854,548 A	4/1932	Hunt
2,429,351 A	10/1947	Fetterolf
3,035,480 A	5/1962	Teucher
3,061,310 A	10/1962	Giza
3,079,157 A	2/1963	Turner
3,084,940 A	4/1963	Cissel

(Continued)

FOREIGN PATENT DOCUMENTS

CA	2145832 C	11/1995
GB	455632 A	10/1936

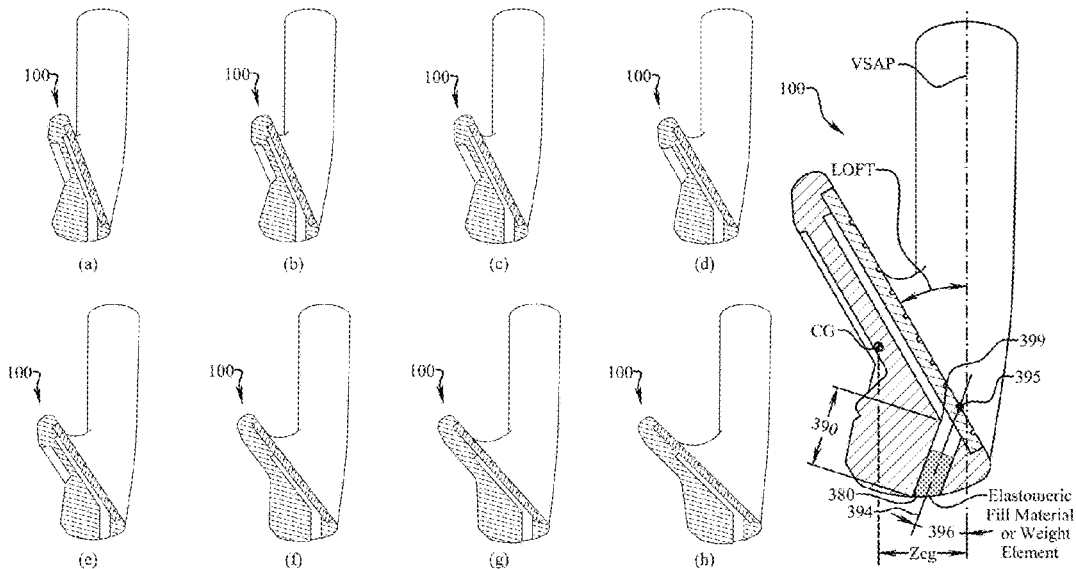
(Continued)

Primary Examiner — Eugene L Kim
Assistant Examiner — Matthew B Stanczak
(74) *Attorney, Agent, or Firm* — Dawsey Co., LPA;
David J. Dawsey

(57) **ABSTRACT**

An iron-type golf club head and set having a passageway extending from a closed void behind the face and accessible from an exterior of the body. The set includes close control of variables among club heads.

19 Claims, 12 Drawing Sheets



(56)

References Cited

U.S. PATENT DOCUMENTS

3,138,386	A	6/1964	Onions		D351,644	S	10/1994	Jensen
3,166,320	A	1/1965	Onions		D353,644	S	12/1994	Hirsch et al.
D207,227	S	3/1967	Solheim		5,388,826	A	2/1995	Sherwood
D209,301	S	11/1967	Comitz		5,409,229	A	4/1995	Schmidt et al.
D212,890	S	12/1968	Rose		5,419,556	A	5/1995	Take
D218,178	S	7/1970	Solheim		D360,008	S	7/1995	Solheim
3,556,532	A	1/1971	Ballmer		D360,445	S	7/1995	Schmidt et al.
3,578,332	A	5/1971	Caldwell		D360,925	S	8/1995	Antonious
3,679,207	A	7/1972	Florian		5,437,456	A	8/1995	Schmidt et al.
3,810,631	A	5/1974	Braly		5,441,264	A	8/1995	Schmidt et al.
3,862,759	A	1/1975	Evans et al.		D362,041	S	9/1995	Takahashi et al.
3,911,301	A	10/1975	Riley		D362,481	S	9/1995	Takahashi et al.
3,923,308	A	12/1975	Mills		5,460,377	A	10/1995	Schmidt et al.
3,970,236	A	7/1976	Rogers		5,464,218	A	11/1995	Schmidt et al.
3,989,248	A	11/1976	Campau		5,472,203	A	12/1995	Schmidt et al.
3,995,865	A	12/1976	Cochran et al.		5,480,145	A	1/1996	Sherwood
4,027,885	A	6/1977	Rogers		5,485,997	A	1/1996	Schmidt et al.
4,043,562	A	8/1977	Shillington		5,492,327	A	2/1996	Biafore
D246,329	S	11/1977	Little		5,524,331	A	6/1996	Pond
4,123,056	A	10/1978	Nakamatsu		5,529,543	A	6/1996	Beaumont
D256,264	S	8/1980	Solheim		5,533,728	A	7/1996	Pehoski et al.
4,252,262	A	2/1981	Igarashi		D373,161	S	8/1996	Schmidt et al.
D260,160	S	8/1981	Giebel		5,547,194	A	8/1996	Aizawa et al.
4,322,083	A	3/1982	Imai		5,564,705	A	10/1996	Kobayashi et al.
D264,488	S	5/1982	Kobayashi		5,588,922	A	12/1996	Schmidt et al.
4,340,230	A	7/1982	Churchward		5,588,923	A	12/1996	Schmidt et al.
4,398,965	A	8/1983	Campau		D377,381	S	1/1997	Takahashi et al.
4,420,156	A	* 12/1983	Campau	A63B 53/04 473/291	D378,112	S	2/1997	Salonica
4,523,759	A	6/1985	Igarashi		5,603,668	A	2/1997	Antonious
4,630,825	A	* 12/1986	Schmidt	A63B 53/04 473/287	5,605,510	A	2/1997	Schmidt et al.
4,687,205	A	8/1987	Tominaga et al.		5,605,511	A	2/1997	Schmidt et al.
D294,850	S	3/1988	Simmons		D379,393	S	5/1997	Kubica et al.
4,836,550	A	6/1989	Kobayashi		D379,485	S	5/1997	Ragano
D306,195	S	2/1990	MacNally et al.		5,626,530	A	5/1997	Schmidt et al.
D306,334	S	2/1990	Alcala		D381,726	S	7/1997	Sugo
D310,115	S	8/1990	Iinuma		5,643,106	A	7/1997	Baird
D310,699	S	9/1990	Parente et al.		D383,819	S	9/1997	Takahashi et al.
4,979,744	A	12/1990	Alcala		D383,820	S	9/1997	Watanabe
D314,803	S	2/1991	Antonious		5,665,009	A	9/1997	Sherwood
D315,588	S	3/1991	Antonious		D386,550	S	11/1997	Wright et al.
5,024,437	A	6/1991	Anderson		D386,551	S	11/1997	Solheim et al.
D319,091	S	8/1991	Antonious		5,704,849	A	1/1998	Schmidt et al.
D319,858	S	9/1991	Antonious		5,743,813	A	4/1998	Chen et al.
D320,056	S	9/1991	Antonious		5,749,795	A	5/1998	Schmidt et al.
5,050,879	A	* 9/1991	Sun	A63B 53/04 473/338	5,766,092	A	6/1998	Mimeur et al.
5,056,788	A	10/1991	Katayama		5,772,527	A	6/1998	Liu
5,094,383	A	3/1992	Anderson et al.		D400,943	S	11/1998	Ezaki
D327,520	S	6/1992	Antonious		D400,945	S	11/1998	Gilbert et al.
D327,720	S	7/1992	Antonious		D402,326	S	12/1998	Moore
D328,116	S	7/1992	Antonious		D406,296	S	3/1999	Rollinson et al.
D328,322	S	7/1992	Antonious		D406,869	S	3/1999	Rollinson et al.
D328,482	S	8/1992	Antonious		5,899,820	A	5/1999	Minematsu et al.
D328,483	S	8/1992	Antonious		5,899,821	A	5/1999	Hsu et al.
D329,904	S	9/1992	Gorman		D410,514	S	6/1999	Takahashi et al.
D330,241	S	10/1992	Antonious		D410,719	S	6/1999	Rollinson et al.
D331,088	S	11/1992	Antonious		D413,951	S	9/1999	Storer et al.
D331,272	S	11/1992	Antonious		D418,887	S	1/2000	Williams
5,160,136	A	* 11/1992	Eger	A63B 53/04 473/291	D421,635	S	3/2000	Whitley
5,160,144	A	11/1992	Maniatis		6,042,486	A	3/2000	Gallagher
D332,478	S	1/1993	Antonious		6,045,456	A	4/2000	Best et al.
D334,959	S	4/1993	Iinuma et al.		6,077,171	A	6/2000	Yoneyama
5,242,167	A	9/1993	Antonious		D428,634	S	7/2000	Nagai et al.
5,255,918	A	10/1993	Anderson et al.		D428,635	S	7/2000	Nagai et al.
5,261,663	A	11/1993	Anderson		6,086,485	A	7/2000	Hamada et al.
5,282,625	A	2/1994	Schmidt et al.		6,093,112	A	* 7/2000	Peters
5,301,946	A	4/1994	Schmidt et al.					A63B 53/00 473/291
5,316,298	A	5/1994	Hutin et al.		D429,299	S	8/2000	Kubica et al.
5,330,187	A	7/1994	Schmidt et al.		D435,278	S	12/2000	Reed et al.
5,344,140	A	9/1994	Anderson		6,179,726	B1	1/2001	Satoh et al.
5,344,150	A	9/1994	Schmidt et al.		6,196,934	B1	3/2001	Sherwood
5,346,219	A	9/1994	Pehoski et al.		D442,043	S	5/2001	Kao
					D442,659	S	5/2001	Kubica et al.
					D444,195	S	6/2001	Wahl et al.
					D445,157	S	7/2001	Jones et al.
					6,290,607	B1	9/2001	Gilbert et al.
					6,290,609	B1	9/2001	Takeda
					6,344,000	B1	2/2002	Hamada et al.
					6,344,001	B1	2/2002	Hamada et al.
					D454,932	S	3/2002	Mahaffey et al.

(56)

References Cited

U.S. PATENT DOCUMENTS

6,368,232 B1	4/2002	Hamada et al.	D589,105 S	3/2009	Oldknow	
D467,292 S	12/2002	Saraie et al.	D589,108 S	3/2009	Oldknow	
D473,605 S	4/2003	Petersen et al.	D589,109 S	3/2009	Oldknow	
6,547,675 B2	4/2003	Sherwood	D592,715 S	5/2009	Takei	
6,592,468 B2 *	7/2003	Vincent	D595,797 S	7/2009	Oldknow	
		A63B 53/047	D596,256 S	7/2009	Schweigert et al.	
		473/334	D596,257 S	7/2009	Jertson et al.	
6,592,469 B2	7/2003	Gilbert	D596,258 S	7/2009	Jertson et al.	
6,616,546 B2	9/2003	Cho	D596,684 S	7/2009	Sutovsky et al.	
6,616,547 B2	9/2003	Vincent et al.	D596,688 S	7/2009	Schweigert et al.	
6,638,183 B2	10/2003	Takeda	D597,157 S	7/2009	Wallin et al.	
6,688,989 B2	2/2004	Best	7,559,850 B2	7/2009	Gilbert et al.	
6,733,400 B2	5/2004	Sherwood	D597,616 S	8/2009	Ines et al.	
D492,376 S	6/2004	Nicolette et al.	D597,617 S	8/2009	Ines et al.	
6,743,114 B2	6/2004	Best	D597,618 S	8/2009	Ines et al.	
6,746,344 B1	6/2004	Long	D598,060 S	8/2009	Barez et al.	
6,811,496 B2	11/2004	Wahl et al.	D599,423 S	9/2009	Serrano et al.	
D500,825 S	1/2005	Madore	7,582,024 B2	9/2009	Shear	
D501,035 S	1/2005	Wahl et al.	D601,651 S	10/2009	Jorgensen et al.	
D501,234 S	1/2005	Cheng	D602,103 S	10/2009	Jorgensen et al.	
6,849,005 B2	2/2005	Rife	D604,783 S	11/2009	Nicolette et al.	
6,855,066 B2	2/2005	Best	D607,073 S	12/2009	Jertson et al.	
6,855,069 B2	2/2005	Nagai et al.	7,686,704 B2	3/2010	Gilbert et al.	
D503,204 S	3/2005	Nicolette et al.	7,744,486 B2	6/2010	Hou et al.	
6,863,621 B2	3/2005	Sherwood	D619,183 S	7/2010	Llewellyn et al.	
D505,466 S	5/2005	Lang et al.	7,749,102 B2	7/2010	Nakamura	
6,921,343 B2	7/2005	Solheim	D621,893 S	8/2010	Nicolette et al.	
D508,722 S	8/2005	Iwata et al.	D621,894 S	8/2010	Schweigert	
D510,115 S	9/2005	Lang et al.	7,857,711 B2	12/2010	Shear	
6,942,580 B2	9/2005	Hou et al.	7,867,105 B2 *	1/2011	Moon	A63B 53/0475 473/314
D511,553 S	11/2005	Madore	D633,159 S	2/2011	Holt et al.	
D512,757 S	12/2005	Cleveland et al.	D635,627 S	4/2011	Nicolette	
6,979,270 B1	12/2005	Allen	7,976,403 B2	7/2011	Gilbert et al.	
6,984,180 B2	1/2006	Hasebe	D643,491 S	8/2011	Stokke et al.	
D517,146 S	3/2006	Nishitani	D647,582 S	10/2011	Nicolette et al.	
7,018,305 B2	3/2006	Sugimoto	8,033,927 B2	10/2011	Gilbert et al.	
D518,539 S	4/2006	Cleveland et al.	8,033,931 B2	10/2011	Wahl et al.	
D523,501 S	6/2006	Nicolette et al.	8,088,023 B2 *	1/2012	Kubota	A63B 53/047 473/335
7,070,513 B2	7/2006	Takeda et al.	D654,547 S	2/2012	Jertson et al.	
D526,036 S	8/2006	Nishitani	8,157,668 B2	4/2012	Wahl et al.	
7,083,530 B2	8/2006	Wahl et al.	D658,733 S	5/2012	Oldknow et al.	
7,086,961 B2	8/2006	Wright et al.	D659,214 S	5/2012	Oldknow et al.	
D529,114 S	9/2006	Madore	D661,755 S	6/2012	Oldknow et al.	
D529,970 S	10/2006	Madore	8,197,354 B2	6/2012	Gilbert et al.	
7,115,048 B2	10/2006	Kusumoto et al.	8,246,487 B1 *	8/2012	Cackett	A63B 53/06 473/334
D532,850 S	11/2006	Oldknow	8,277,337 B2 *	10/2012	Shimazaki	A63B 53/047 473/350
7,134,971 B2	11/2006	Franklin et al.	8,298,095 B2	10/2012	Gilbert et al.	
D537,138 S	2/2007	Clausen et al.	8,302,658 B2	11/2012	Gilbert et al.	
D537,494 S	2/2007	Jertson et al.	8,403,771 B1 *	3/2013	Rice	A63B 53/0466 473/328
7,186,187 B2	3/2007	Gilbert et al.	8,911,302 B1 *	12/2014	Ivanova	A63B 53/0475 473/329
7,186,188 B2	3/2007	Gilbert et al.	8,915,797 B1 *	12/2014	Kuhar	A63B 60/00 473/324
7,192,361 B2	3/2007	Gilbert et al.	8,956,242 B2 *	2/2015	Rice	A63B 60/00 473/329
7,192,362 B2	3/2007	Gilbert et al.	9,044,653 B2	6/2015	Wahl et al.	
D539,864 S	4/2007	Nicolette et al.	9,623,298 B2 *	4/2017	Ban	A63B 53/047
D540,898 S	4/2007	Solheim et al.	9,802,089 B2 *	10/2017	Honea	A63B 53/047
D544,056 S	6/2007	Nicolette et al.	2001/0055996 A1	12/2001	Iwata et al.	
7,232,377 B2	6/2007	Gilbert et al.	2002/0068645 A1 *	6/2002	Vincent	A63B 53/047 473/338
D549,797 S	8/2007	Oldknow	2002/0082119 A1	6/2002	Hamada et al.	
D550,317 S	9/2007	Oldknow	2002/0094883 A1	7/2002	Chuang	
D554,215 S	10/2007	Ruggiero et al.	2002/0098910 A1 *	7/2002	Gilbert	A63B 53/04 473/332
D554,217 S	10/2007	Ruggiero et al.	2004/0023729 A1	2/2004	Nagai et al.	
D554,218 S	10/2007	Ruggiero et al.	2004/0058745 A1 *	3/2004	Clausen	A63B 60/54 473/342
D560,263 S	1/2008	Rubino	2004/0058747 A1 *	3/2004	Clausen	A63B 53/047 473/349
D565,685 S	4/2008	Homma	2004/0171434 A1	9/2004	Radcliffe et al.	
D571,887 S	6/2008	Stites et al.	2004/0180730 A1	9/2004	Franklin et al.	
D573,677 S	7/2008	Kadoya				
D573,680 S	7/2008	Stites et al.				
7,393,287 B2	7/2008	Huang				
7,396,290 B2	7/2008	Gilbert et al.				
D577,087 S	9/2008	Roach et al.				
D577,088 S	9/2008	Clausen et al.				
D581,000 S	11/2008	Nicolette et al.				
D584,371 S	1/2009	Chick et al.				
D585,951 S	2/2009	Kohno				
D588,667 S	3/2009	Oldknow				
D588,685 S	3/2009	Chong				

(56)

References Cited

U.S. PATENT DOCUMENTS

2004/0214657 A1* 10/2004 Hou A63B 53/047
473/332
2005/0009626 A1* 1/2005 Imamoto A63B 53/047
473/338
2005/0043117 A1* 2/2005 Gilbert A63B 53/047
473/345
2005/0096151 A1* 5/2005 Hou A63B 53/047
473/335
2005/0143190 A1 6/2005 Takeda
2005/0197208 A1* 9/2005 Imamoto A63B 53/047
473/349
2005/0227781 A1 10/2005 Huang et al.
2005/0239569 A1* 10/2005 Best A63B 53/0475
473/290
2006/0025237 A1* 2/2006 Aguinaldo A63B 53/047
473/350
2007/0026961 A1 2/2007 Hou
2007/0042836 A1* 2/2007 Best A63B 60/54
473/349
2007/0099721 A1* 5/2007 Chen A63B 53/047
473/329
2009/0023513 A1* 1/2009 Shibata A63B 53/0475
473/305
2009/0191979 A1 7/2009 Hou et al.
2009/0221382 A1* 9/2009 Soracco A63B 60/54
473/291
2009/0298615 A1* 12/2009 Moon A63B 53/047
473/350
2011/0021285 A1* 1/2011 Shimazaki A63B 53/04
473/332
2011/0070970 A1 3/2011 Wan

2012/0034997 A1 2/2012 Swartz
2012/0196703 A1* 8/2012 Sander A63B 60/00
473/349
2012/0244960 A1 9/2012 Tang et al.
2013/0331201 A1* 12/2013 Wahl A63B 60/00
473/329
2014/0274442 A1* 9/2014 Honea A63B 60/54
473/291
2014/0335973 A1* 11/2014 Takechi A63B 53/047
473/349
2015/0133232 A1* 5/2015 Taylor A63B 60/54
473/329
2015/0343281 A1* 12/2015 Ban A63B 53/04
473/332
2016/0038796 A1* 2/2016 Taylor A63B 60/52
473/349
2017/0326416 A1* 11/2017 Pergande A63B 60/52

FOREIGN PATENT DOCUMENTS

GB 2126486 A 3/1984
GB 2381468 A 5/2003
GB 2381468 B 7/2004
JP 3035480 U 3/1997
JP 11104283 4/1999
JP 11178961 A 7/1999
JP 2001-204863 7/2001
JP 2002248183 9/2002
JP 3392022 B2 3/2003
JP 2004275700 A 10/2004
JP 2005118526 A 5/2005
TW 512741 U 12/2002
WO 2002043819 A2 6/2002
WO 2002043819 A3 6/2002

* cited by examiner

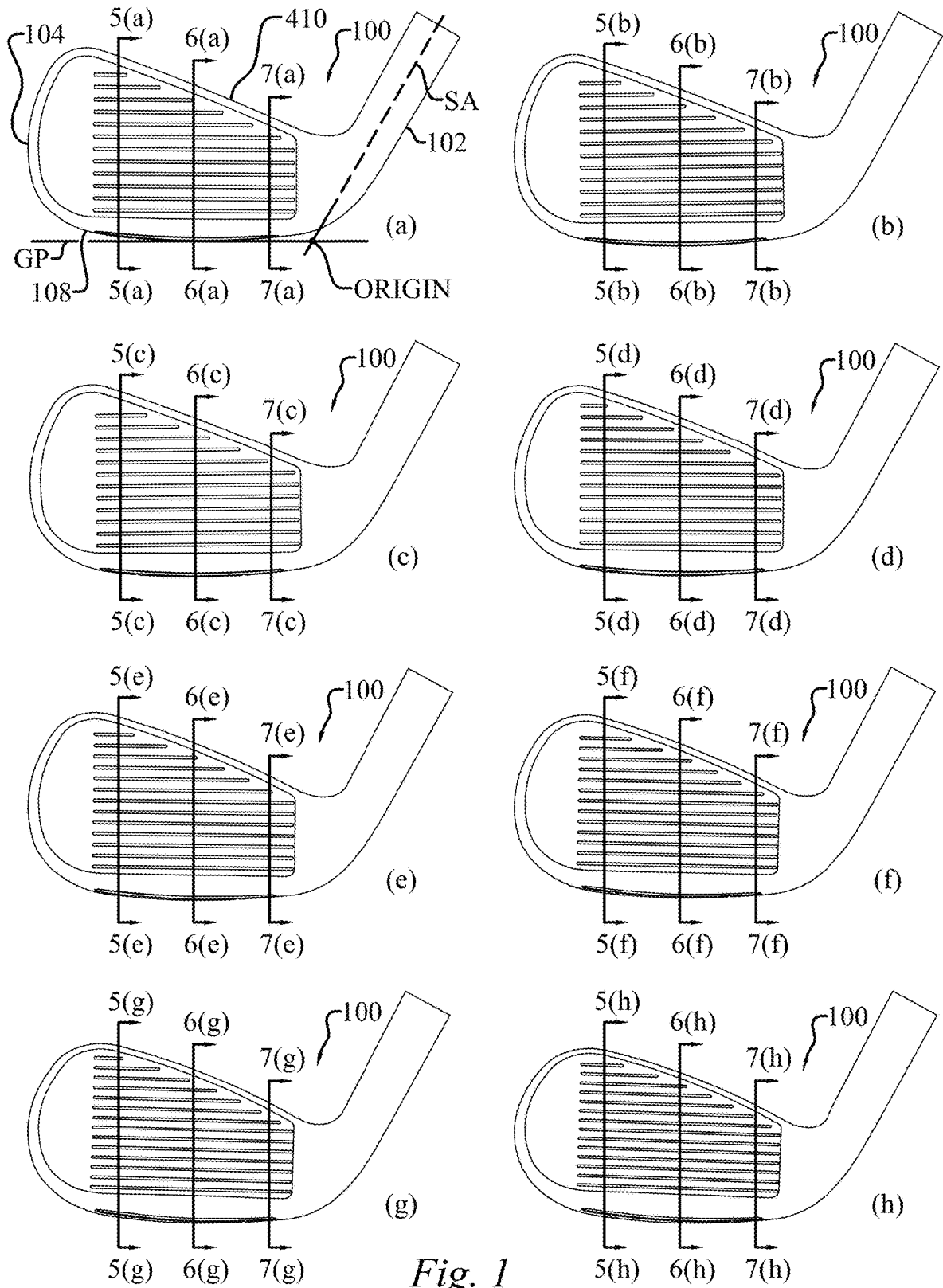


Fig. 1

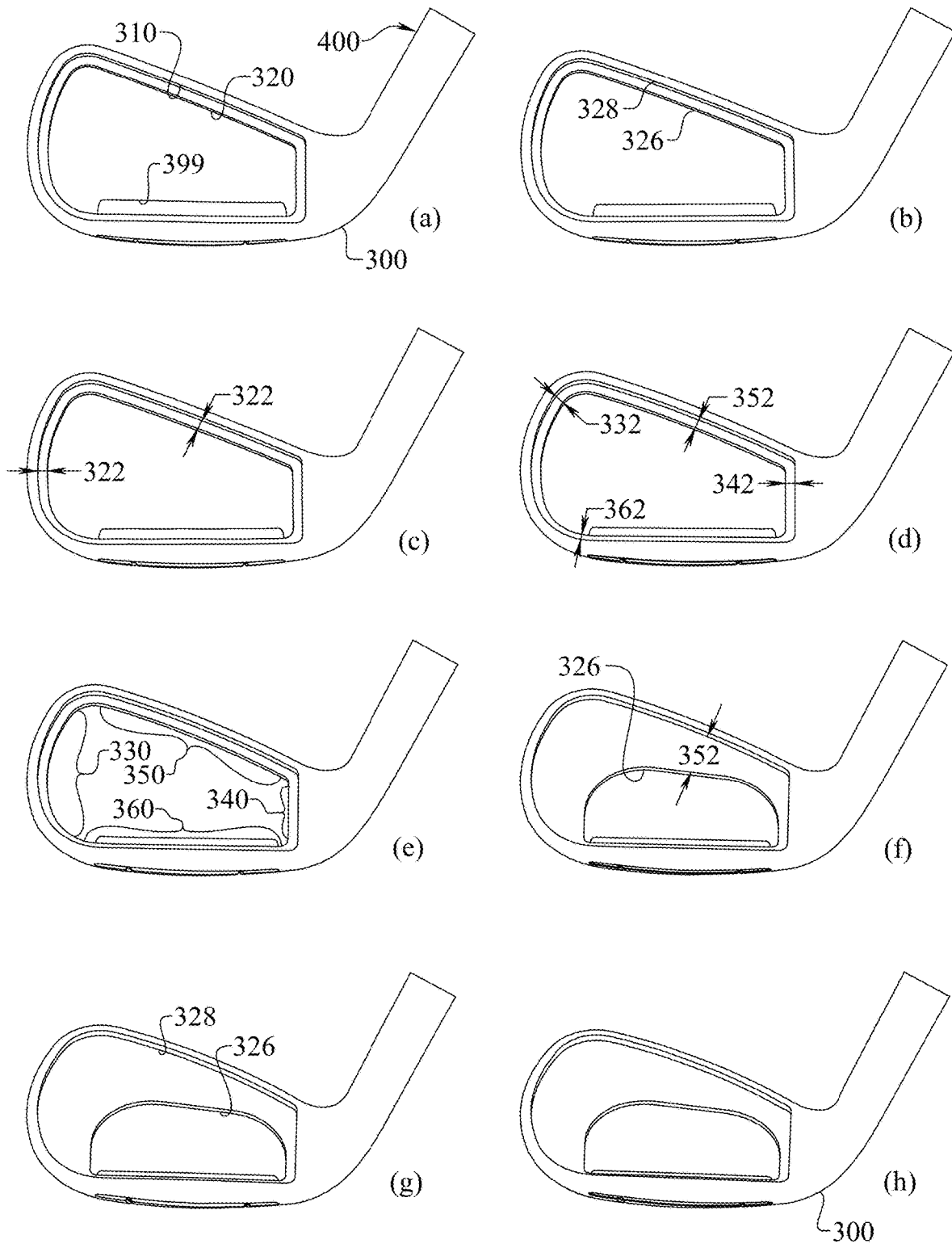


Fig. 2

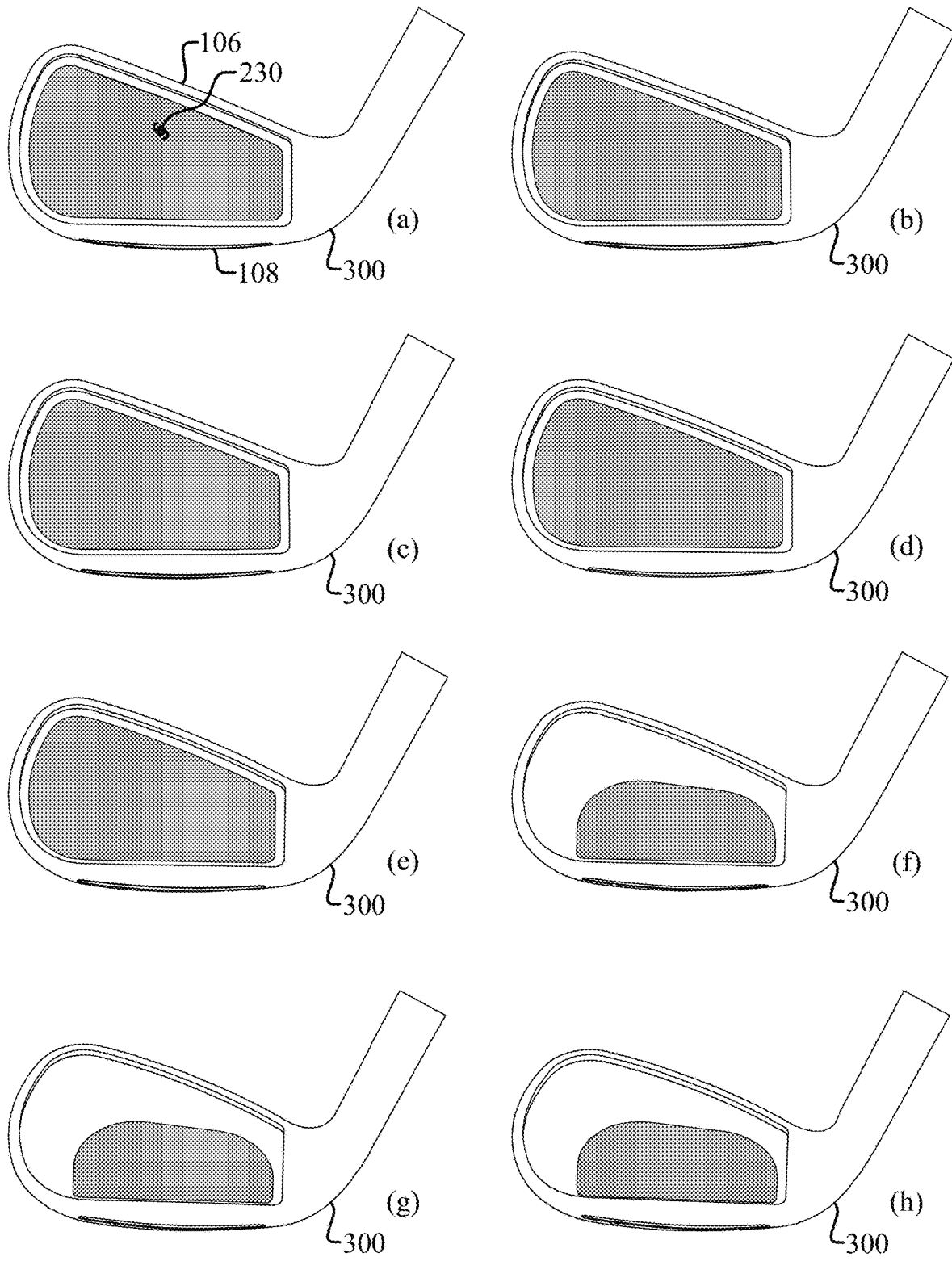


Fig. 3

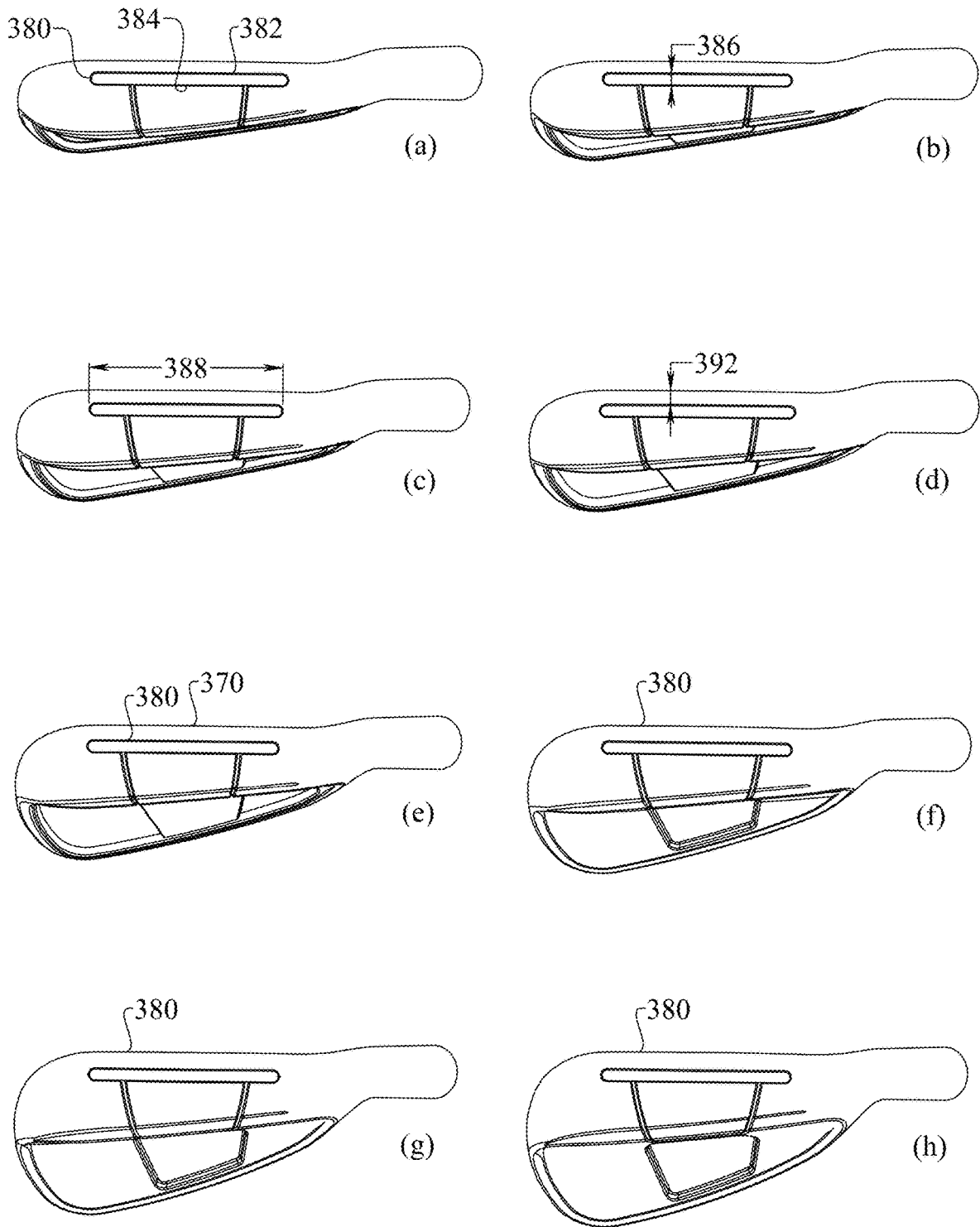


Fig. 4

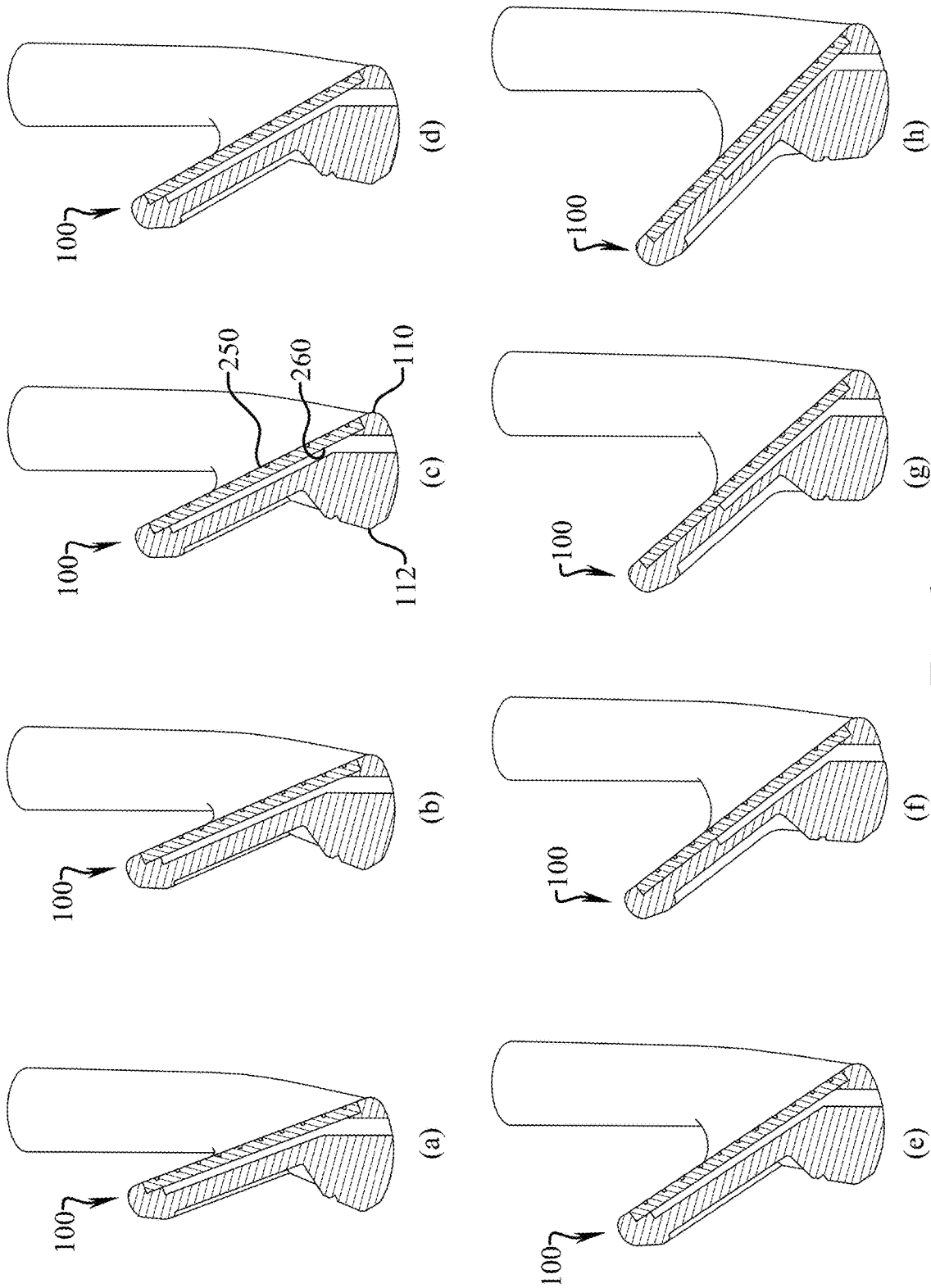


Fig. 6

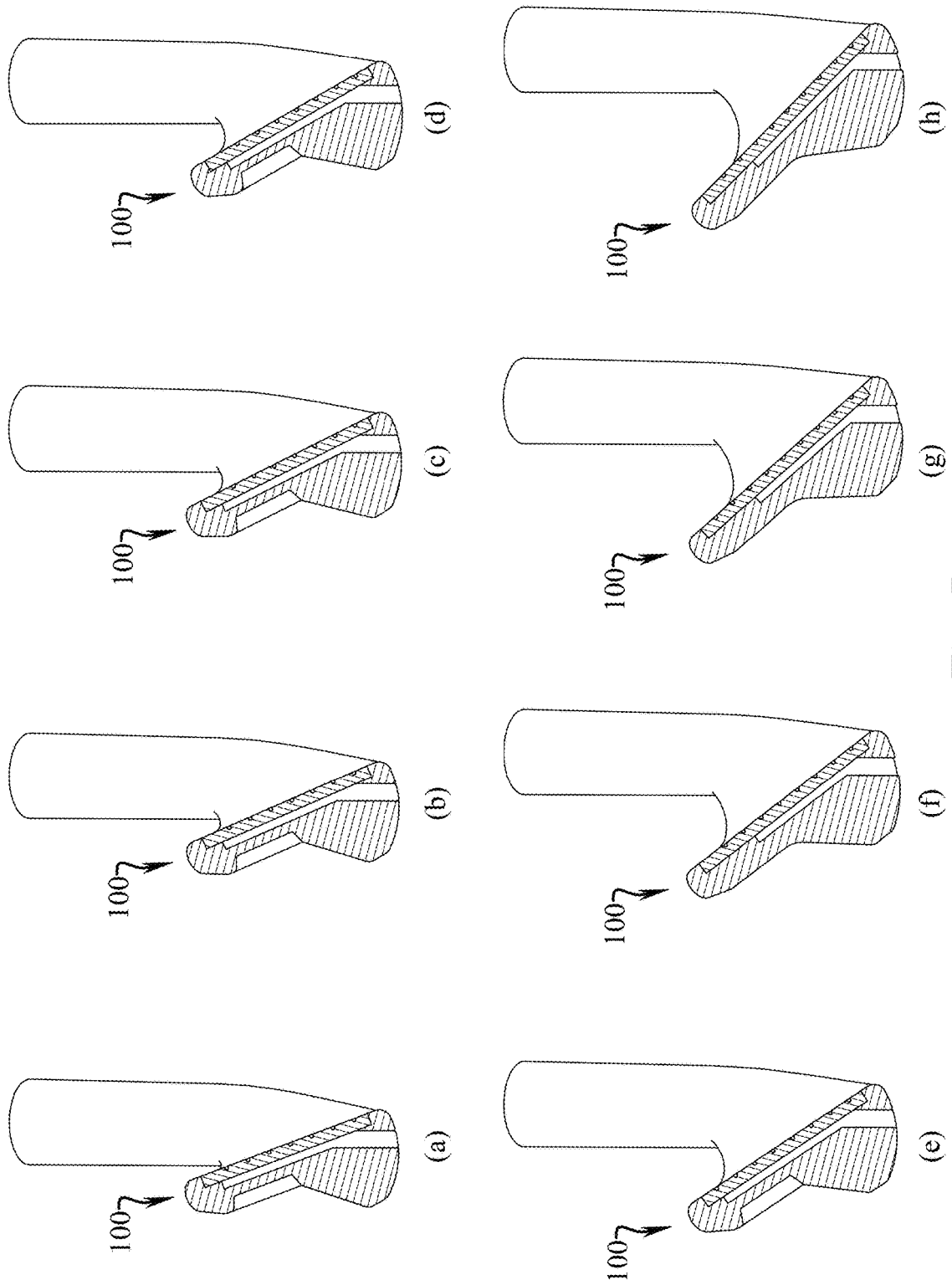
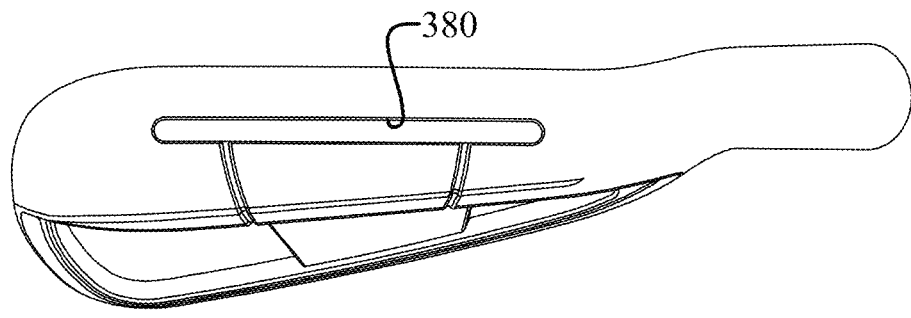
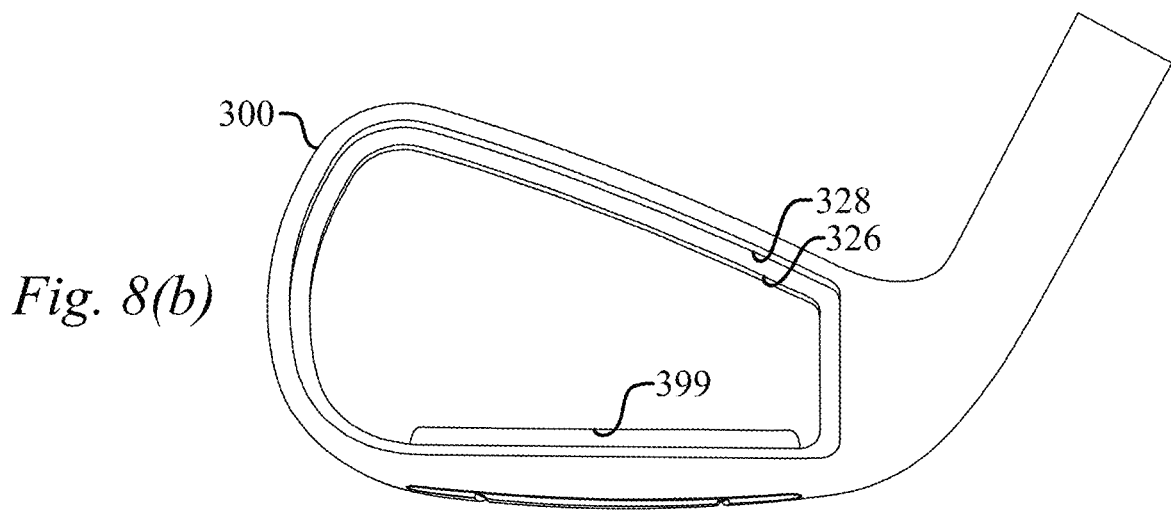
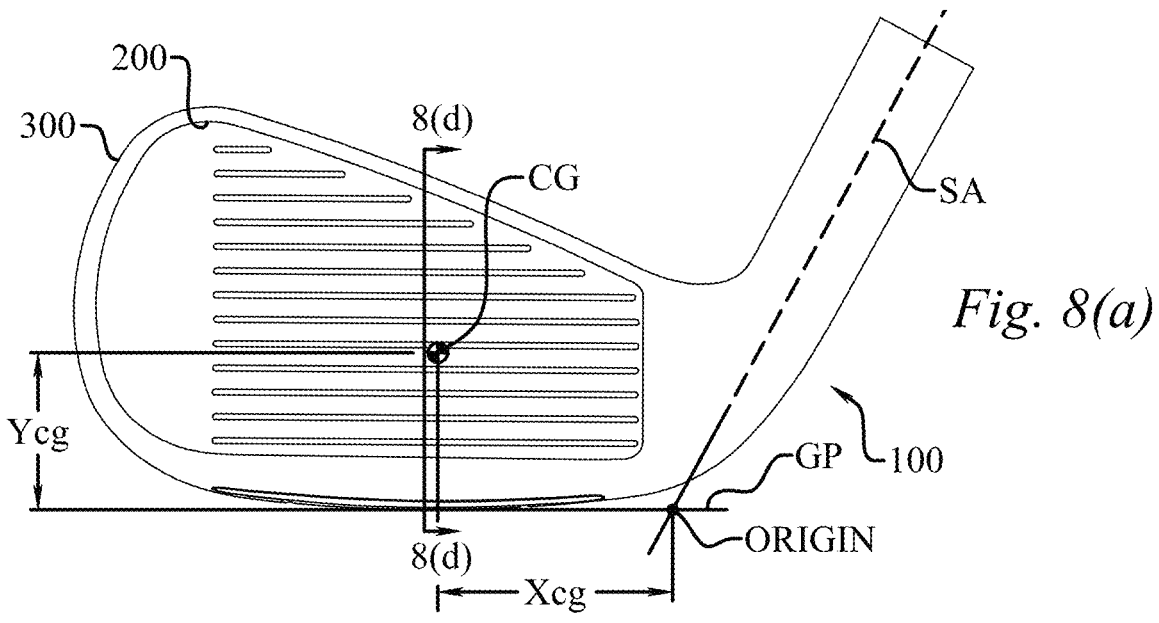


Fig. 7



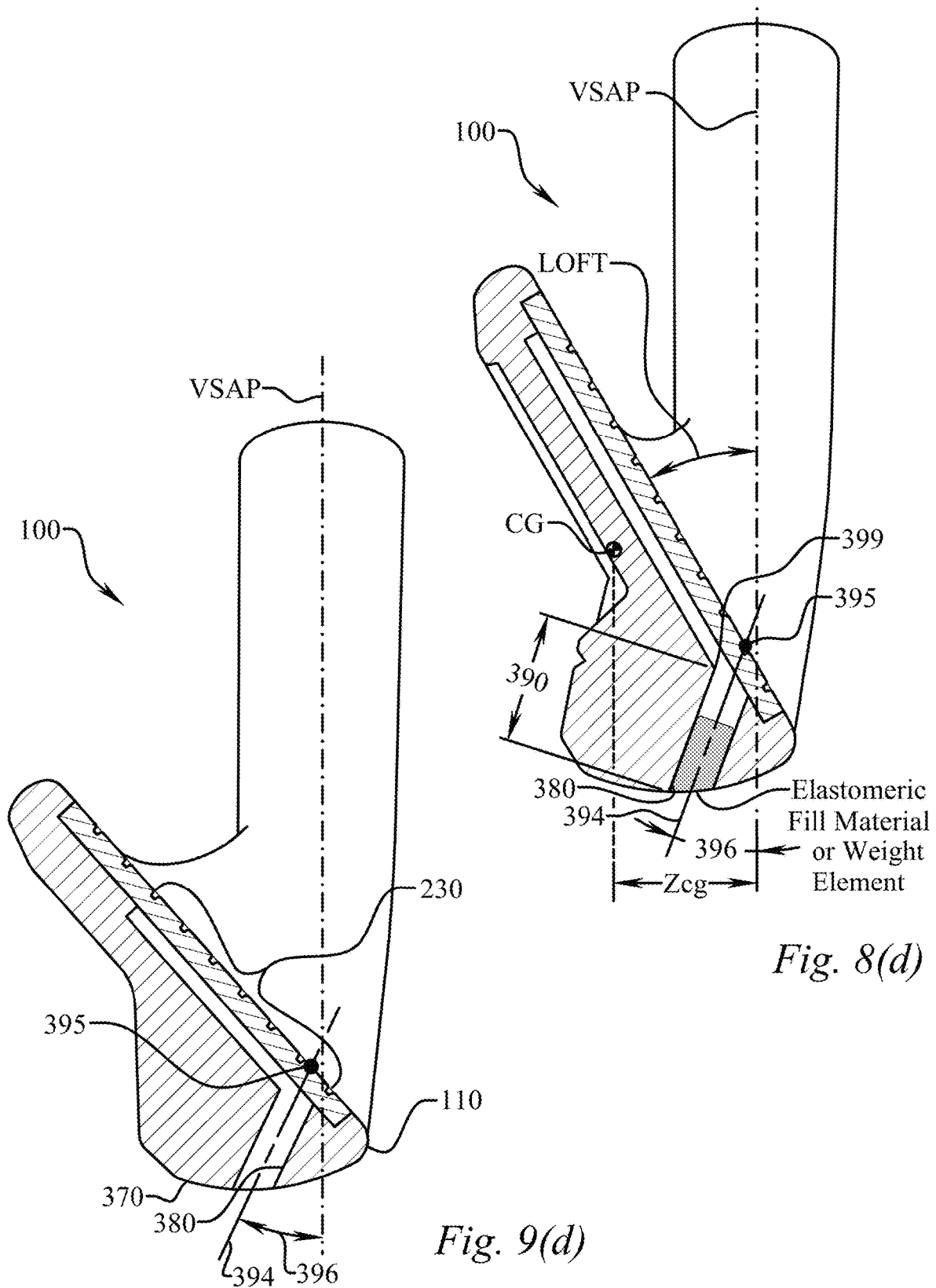
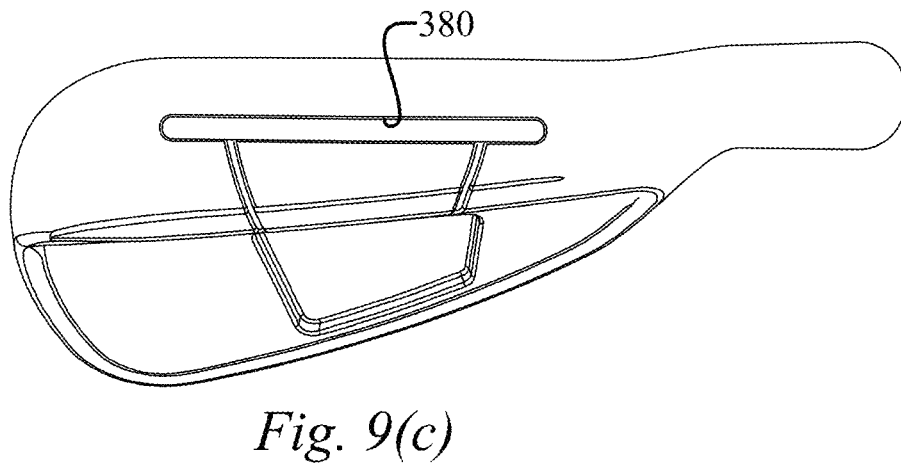
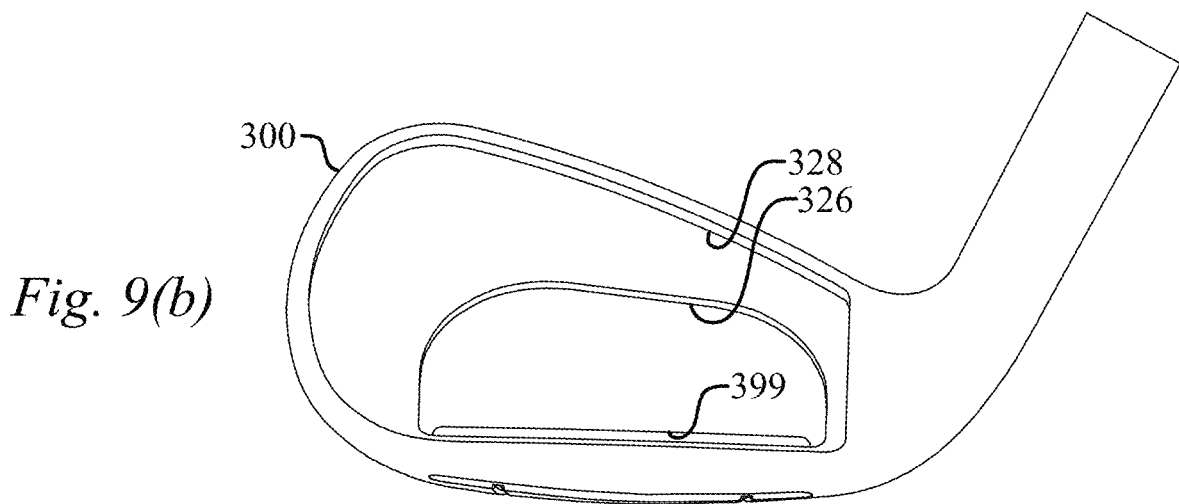
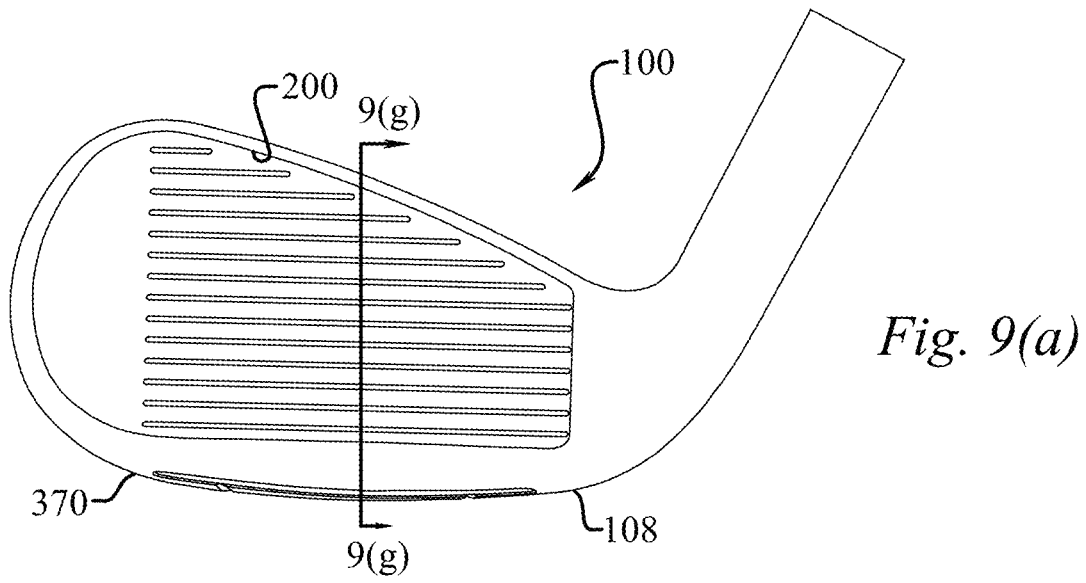


Fig. 8(d)

Fig. 9(d)



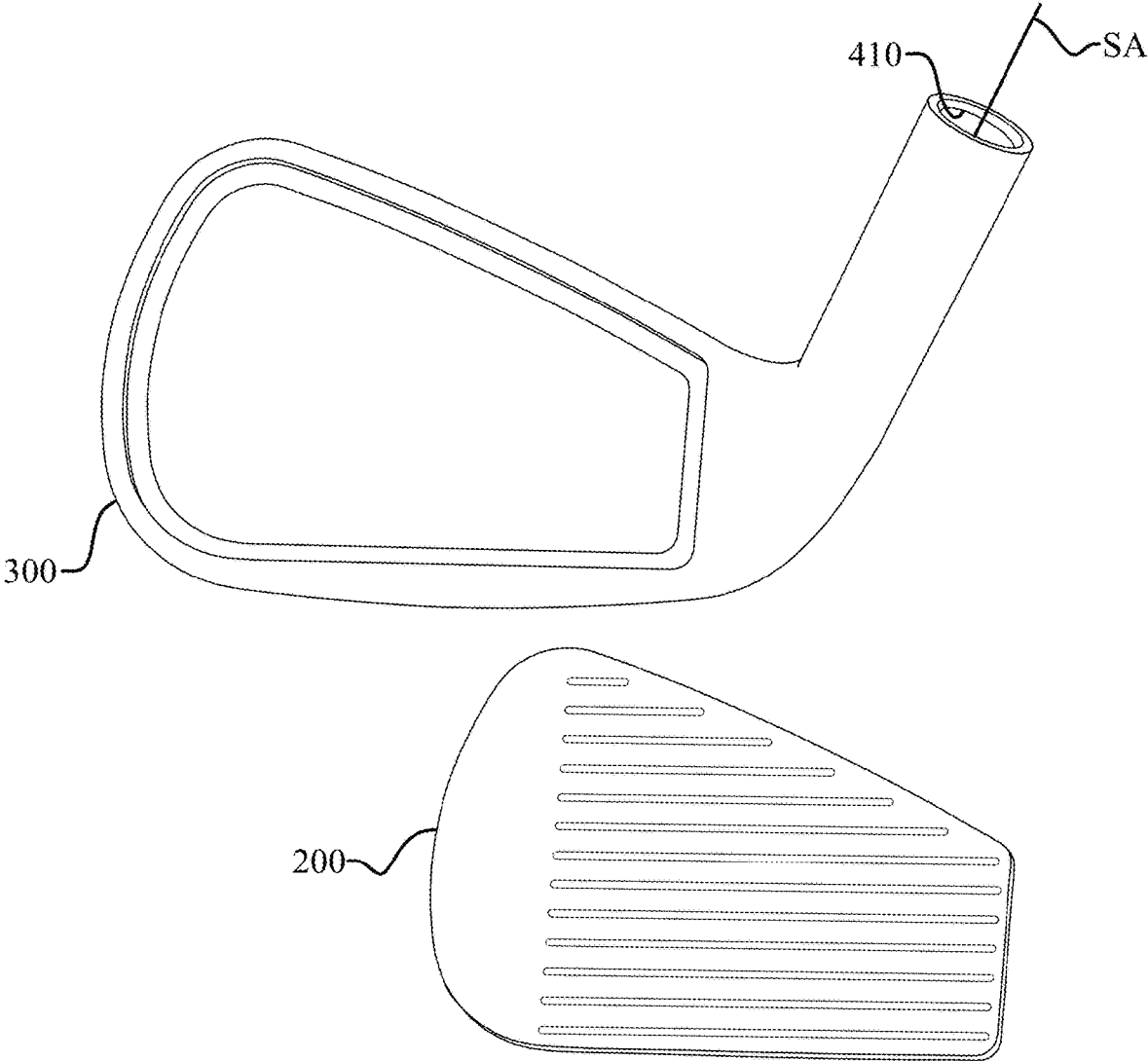


Fig. 10

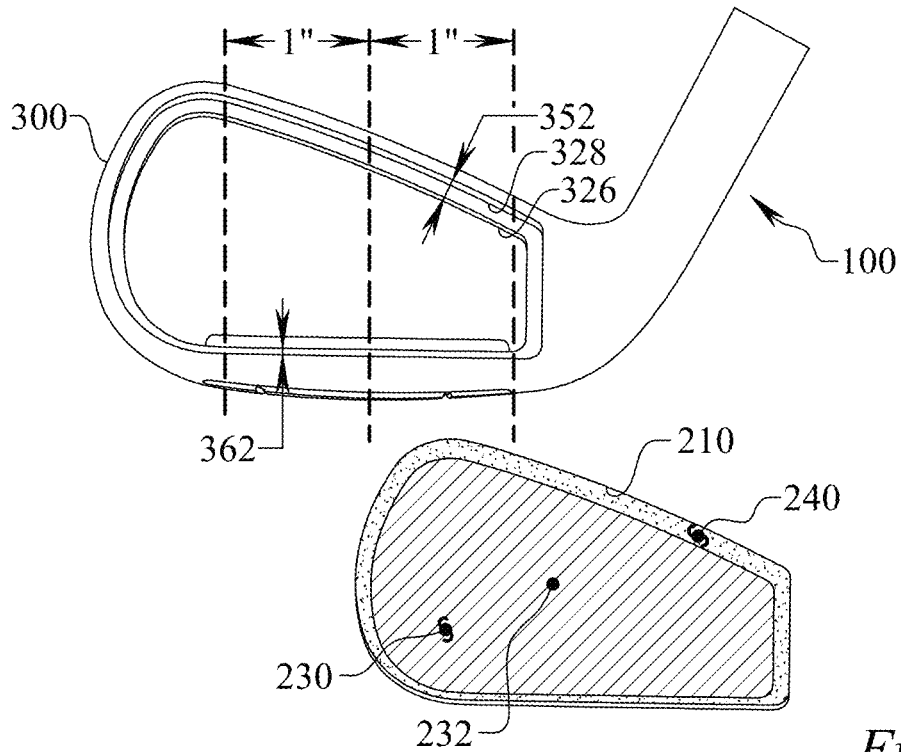


Fig. 11

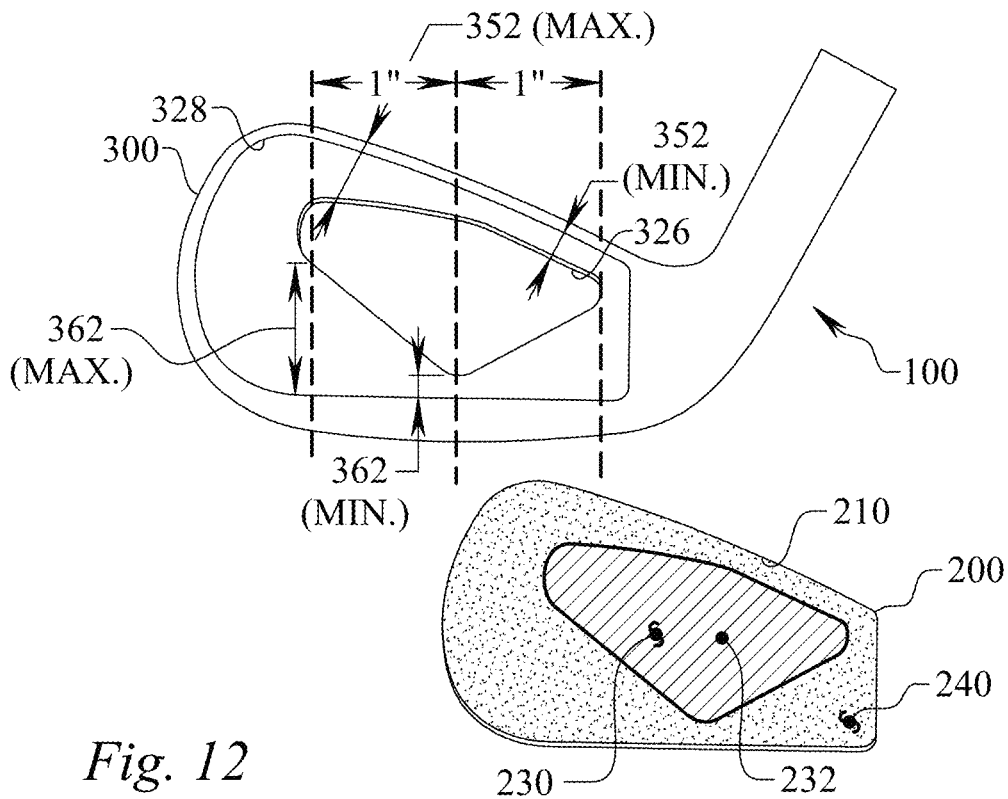


Fig. 12

IRON TYPE GOLF CLUB HEAD AND SET**CROSS-REFERENCE TO RELATED APPLICATIONS**

This application is a continuation of U.S. nonprovisional application Ser. No. 15/794,473, filed on Oct. 26, 2017, which is a divisional application of U.S. nonprovisional application Ser. No. 13/842,545, now U.S. Pat. No. 9,802,089, filed on Mar. 15, 2013, all of which is incorporated by reference as if completely written herein.

STATEMENT REGARDING FEDERALLY SPONSORED RESEARCH OR DEVELOPMENT

This invention was not made as part of a federally sponsored research or development project.

TECHNICAL FIELD

The present invention relates to the field of golf clubs, namely iron-type golf club heads, clubs, and an associated set.

BACKGROUND OF THE INVENTION

A golf set includes various types of clubs for use in different conditions or circumstances in which a ball is hit during a golf game. A set of clubs typically includes a “driver” for hitting the ball the longest distance on a course. A fairway “wood” can be used for hitting the ball shorter distances than the driver. A set of irons are used for hitting the ball within a range of distances typically shorter than the driver or woods. Every club has an ideal striking location or “sweet spot” that represents the best hitting zone on the face for maximizing the probability of the golfer achieving the best and most predictable shot using the particular club.

An iron has a flat face that normally contacts the ball whenever the ball is being hit with the iron. Irons have angled faces for achieving lofts ranging from about 18 degrees to about 64 degrees. The size of an iron’s sweet spot is generally related to the size (i.e., surface area) of the iron’s striking face, and iron sets are available with oversize club heads to provide a large sweet spot that is desirable to many golfers. Most golfers strive to make contact with the ball inside the sweet spot to achieve a desired ball speed, distance, and trajectory.

Conventional “blade” type irons have been largely displaced (especially for novice golfers) by so-called “perimeter weighted” irons, which include “cavity-back” and “hollow” iron designs. Cavity-back irons have a cavity directly behind the striking plate, which permits club head mass to be distributed about the perimeter of the striking plate, and such clubs tend to be more forgiving to off-center hits. Hollow irons have features similar to cavity-back irons, but the cavity is enclosed by a rear wall to form a hollow region behind the striking plate. Perimeter weighted, cavity back, and hollow iron designs permit club designers to redistribute club head mass to achieve intended playing characteristics associated with, for example, placement of club head center of mass or a moment of inertia. These designs also permit club designers to provide striking plates that have relatively large face areas that are unsupported by the main body of the golf club head.

SUMMARY OF INVENTION

In its most general configuration, the present invention advances the state of the art with a variety of new capabilities

and overcomes many of the shortcomings of prior methods in new and novel ways. In its most general sense, the present invention overcomes the shortcomings and limitations of the prior art in any of a number of generally effective configurations. This disclosure includes an iron-type golf club head having a sole channel extending from an exterior of a sole portion toward a face. The sole channel has an axis that intersects the face at an axis-to-face intersection point for at least one position along a channel length, and preferably at least 25% of the channel length. The elevation of the intersection point may below the Ycg distance and the axis defines an angle from the vertical that may be related to the loft. Further, the iron-type golf club head may be incorporated in a set containing club heads with varying degrees of unsupported face area.

BRIEF DESCRIPTION OF THE DRAWINGS

Without limiting the scope of the present invention as claimed below and referring now to the drawings and figures:

FIG. 1 shows a front elevation view of eight iron-type golf club heads of the present invention, not to scale;

FIG. 2 shows a front elevation view of eight iron-type golf club heads of an embodiment of the present invention with the face removed, not to scale;

FIG. 3 shows a front elevation view of eight iron-type golf club heads of an embodiment of the present invention with the face removed and the unsupported portion of the face shaded, not to scale;

FIG. 4 shows a bottom plan view of eight iron-type golf club heads of the present invention, not to scale;

FIG. 5 shows a cross-sectional view taken along section lines (5)-(5) in FIG. 1 of eight iron-type golf club heads of the present invention, not to scale;

FIG. 6 shows a cross-sectional view taken along section lines (6)-(6) in FIG. 1 of eight iron-type golf club heads of the present invention, not to scale;

FIG. 7 shows a cross-sectional view taken along section lines (7)-(7) in FIG. 1 of eight iron-type golf club heads of the present invention, not to scale;

FIG. 8(a) shows a front elevation view of an iron-type golf club head of the present invention, not to scale;

FIG. 8(b) shows a front elevation view of an iron-type golf club head of an embodiment of the present invention with the face removed, not to scale;

FIG. 8(c) shows a bottom plan view of an iron-type golf club head of an embodiment of the present invention with the face removed, not to scale;

FIG. 8(d) shows an enlarged cross-sectional view taken along section line 8(d)-8(d) of FIG. 8(a) of an iron-type golf club head of an embodiment of the present invention, not to scale;

FIG. 9(a) shows a front elevation view of an iron-type golf club head of the present invention, not to scale;

FIG. 9(b) shows a front elevation view of an iron-type golf club head of an embodiment of the present invention with the face removed, not to scale;

FIG. 9(c) shows a bottom plan view of an iron-type golf club head of an embodiment of the present invention with the face removed, not to scale;

FIG. 9(d) shows an enlarged cross-sectional view taken along section line 9(d)-9(d) of FIG. 9(a) of an iron-type golf club head of an embodiment of the present invention, not to scale;

FIG. 10 shows an assembly view of an embodiment of an iron-type golf club head of the present invention with the face removed, not to scale;

FIG. 11 shows an assembly view of an embodiment of an iron-type golf club head of the present invention with the face removed, not to scale;

FIG. 12 shows an assembly view of an embodiment of an iron-type golf club head of the present invention with the face removed, not to scale;

These drawings are provided to assist in the understanding of the exemplary embodiments of the present golf club as described in more detail below and should not be construed as unduly limiting the golf club. In particular, the relative spacing, positioning, sizing and dimensions of the various elements illustrated in the drawings are not drawn to scale and may have been exaggerated, reduced or otherwise modified for the purpose of improved clarity. Those of ordinary skill in the art will also appreciate that a range of alternative configurations have been omitted simply to improve the clarity and reduce the number of drawings.

DETAILED DESCRIPTION OF THE INVENTION

The iron-type golf club head (100) and set of golf club heads of the present invention enables a significant advance in the state of the art. The preferred embodiments of the golf club head(s) accomplish this by new and novel methods that are configured in unique and novel ways and which demonstrate previously unavailable, but preferred and desirable capabilities. The description set forth below in connection with the drawings is intended merely as a description of the presently preferred embodiments of the golf club head(s), and is not intended to represent the only form in which the present golf club head(s) may be constructed or utilized. The description sets forth the designs, functions, means, and methods of implementing the golf club head(s) in connection with the illustrated embodiments. It is to be understood, however, that the same or equivalent functions and features may be accomplished by different embodiments that are also intended to be encompassed within the spirit and scope of the claimed golf club head(s) and associated set.

In order to fully appreciate the present disclosed golf club head some common terms must be defined for use herein. First, one of skill in the art will know the meaning of "center of gravity," referred to herein as CG, from an entry level course on the mechanics of solids. The CG is often thought of as the intersection of all the balance points of the golf club head. In other words, if you balance the head on the face and then on the sole, the intersection of the two imaginary lines passing straight through the balance points would define the point referred to as the CG.

It is helpful to establish a coordinate system to identify and discuss the location of the CG. In order to establish this coordinate system one must first identify a ground plane (GP) and a shaft axis (SA), as seen in FIG. 1. The ground plane (GP) is the horizontal plane upon which a golf club head rests, as seen best in a front elevation view of a golf club head looking at the face of the golf club head, as seen in FIG. 1. The shaft axis (SA) is the axis of a bore in the golf club head that is designed to receive a shaft. The shaft axis (SA) is fixed by the design of the golf club head.

Now, the intersection of the shaft axis (SA) with the ground plane (GP) fixes an origin point, labeled "origin" in FIG. 1, for the coordinate system. While it is common knowledge in the industry, it is worth noting that the right side of the club head seen in FIG. 1, the side nearest the bore

in which the shaft attaches, is the "heel" side of the golf club head; and the opposite side, the left side in FIG. 1, is referred to as the "toe" side of the golf club head. Additionally, the portion of the golf club head that actually strikes a golf ball is referred to as the face of the golf club head and is commonly referred to as the front of the golf club head; whereas the opposite end of the golf club head is referred to as the rear of the golf club head and/or the trailing edge.

A three dimensional coordinate system may now be established from the origin with the Y-direction being the vertical direction from the origin; the X-direction being the horizontal direction perpendicular to the Y-direction and wherein the X-direction is parallel to the face of the golf club head in the natural resting position, also known as the design position; and the Z-direction is perpendicular to the X-direction wherein the Z-direction is the direction toward the rear of the golf club head. The X, Y, and Z directions are noted on a coordinate system symbol in FIGS. 8(a) and 8(d). It should be noted that this coordinate system is contrary to the traditional right-hand rule coordinate system; however it is preferred so that the center of gravity may be referred to as having all positive coordinates.

Now, with the origin and coordinate system defined, the terms that define the location of the CG may be explained. The distance behind the origin that the CG is located is referred to as Z_{cg} , as seen in FIG. 8(d). Similarly, the distance above the origin that the CG is located is referred to as Y_{cg} , as seen in FIG. 8(a). Lastly, the horizontal distance from the origin that the CG is located is referred to as X_{cg} , also seen in FIG. 8(a). Therefore, the location of the CG may be easily identified by reference to X_{cg} , Y_{cg} , and Z_{cg} distances.

The moment of inertia of the golf club head is a key ingredient in the playability of the club. Again, one skilled in the art will understand what is meant by moment of inertia with respect to golf club heads; however it is helpful to define two moment of inertia components that will be commonly referred to herein. First, MOI_x , often referred to as the lofting/delothing moment of inertia, is the moment of inertia of the golf club head around an axis through the CG, parallel to the X-axis. MOI_x is the moment of inertia of the golf club head that resists lofting and delothing moments induced by ball strikes high or low on the face. Secondly, MOI_y , often referred to as the opening/closing moment of inertia, is the moment of the inertia of the golf club head around an axis through the CG, parallel to the Y-axis. MOI_y is the moment of inertia of the golf club head that resists opening and closing moments induced by ball strikes towards the toe side or heel side of the face. The "front-to-back" dimension, referred to as the FB dimension, is the distance from the furthest forward point at the leading edge of the golf club head to the furthest rearward point at the rear of the golf club head along the sole portion, i.e. the trailing edge.

The iron-type golf club head (100) includes a heel portion (102), a toe portion (104), a top line portion (106), a sole portion (108), a leading edge (110), a trailing edge (112), a face (200) oriented at a loft, labeled in FIG. 8(d), and a hosel (400) having a bore (410) that defines a shaft axis (SA) intersecting a horizontal ground plane (GP) to define an origin point. The iron-type golf club head (100) includes a sole channel (380), best seen in FIGS. 8(d) and 9(d), extending from the exterior of the sole portion (108) toward the face (200), wherein the sole channel (380) has a channel leading edge (382), a channel trailing edge (384), a channel width (386), a channel length (388), a channel depth (390),

a channel leading edge setback (392), and a channel axis (394) establishing a channel angle (396) from the vertical.

The channel axis (394) intersects the face (200) at an axis-to-face intersection point (395) for at least one position along the channel length (388), illustrated best in FIGS. 8(d) and 9(d). In one particular embodiment at least one position along the channel length (388) has the axis-to-face intersection point (395) at an elevation above the horizontal ground plane (GP) that is less than the distance Y_{cg} . An even further embodiment has at least one position along the channel length (388) having the axis-to-face intersection point at an elevation above the horizontal ground plane that is less than 60% of the distance Y_{cg} . Having a channel axis (394) that intersects the face (200) in at least one position along the channel length (388) means that the channel axis (394) at this position is not parallel, nor nearly parallel, to the face (200), unlike much prior art.

In fact in some embodiments at least a portion of the channel length (388) has a sole channel (380) characterized by a channel axis (394) that is angled toward the face (200). For example, in one embodiment a portion of the sole channel (380) has a channel angle (396) that is at least 20% of the loft. An even further embodiment has a channel length (388) that is greater than the X_{cg} distance, and a channel angle (396) that is at least 20% of the loft throughout at least 25% of the channel length (388). In other words, a significant portion of the sole channel (380) is angled toward the face (200).

Another embodiment has a portion of the sole channel (380) with a channel angle (396) that is at least 50% of the loft. A further embodiment takes this a step further and also has a channel length (388) that is greater than the X_{cg} distance, and a channel angle (396) that is at least 50% of the loft throughout at least 50% of the channel length (388).

Even further embodiments obtain desired performance when the channel length (388) is greater than the X_{cg} distance, and the channel angle (396) is at least 50% of the loft, and less than 150% of the loft, throughout at least 25% of the channel length (388). Another embodiment incorporates a narrower operating window in which the channel length (388) is greater than the X_{cg} distance, and the channel angle (396) is at least 75% of the loft, and less than 125% of the loft, throughout at least 25% of the channel length (388).

Even further embodiments incorporate a sole channel (380) that extends through the body sole portion (108) and creates a passageway (398) from the exterior of the body sole portion (108) to a termination opening (399) that is open to a void behind the face (200), seen best in FIGS. 8(d) and 9(d). In one particular embodiment of this variation the sole channel (380) extends through the sole portion (108) creating the passageway (398) throughout at least 50% of the channel length (388).

The aforementioned relationships resulting in a particular axis-to-face intersection point (395), elevation of the axis-to-face intersection point (395), channel angle (396), channel length (388), and/or formation of a through passageway (398) in communication with a void behind the face, thereby achieve improved performance of the iron-type golf club head (100), which generally means a higher Characteristic Time (CT), and improved durability. While the disclosure above covers cast club heads, forged club heads, and variations of multi-material and multi-component cast and forged club heads, the design is particularly beneficial in constructing an iron-type golf club head (100) having a forged body (300) of a relatively soft material such as AISI 1025 carbon steel where testing has shown the channel angle (396) and

channel setback (392) significantly influence the durability. This is particularly true when the face (200) is a separate piece of high strength alloy material that is different from the forged body (300). Thus, in one particular embodiment the body (300) is forged from a carbon steel alloy, and the face (200) is forged of a high strength alloy having a yield strength of at least 1400 MPa. The combination of a soft forged body (300) with a hard high strength (200) face provides the feel that a better player enjoys in light of the sole channel (380) and its position and orientation. In a further embodiment the face (200) has a thickness that is 2 mm or less and the channel width (386) is greater than the face thickness.

The iron-type golf club head (100) may also be incorporated into a set of iron-type golf club heads, as illustrated generally as a 3-iron through a pitching wedge as drawings (a) through (h) in FIGS. 1-7. For convenience the following disclosure will refer to a first iron-type golf club head, a second iron-type golf club head, and a third iron-type golf club head, which will be distinguished from one another by loft. Specific element numbers will only be used below with reference to the first iron-type golf club head unless specifically needed to explain a point, however one with skill in the art will recognize their associated application to the second iron-type golf club head and the third iron-type golf club head.

The set includes at least a first iron-type golf club head having a first loft of 30 degrees or less, and a second iron-type golf club head having a second loft of at least 31 degrees. The first iron-type golf club head (100) has a first heel portion (102), a first toe portion (104), a first top line portion (106), a first sole portion (108), a first leading edge (110), and a first trailing edge (112). Additionally, in this embodiment the first iron-type golf club head (100) includes a first body (300) and a first face (200). The first body (300) is formed of a first body material and having a first hosel (400), a first face opening (310), and a first face support ledge (320), seen in FIG. 2(a). The first face support ledge (320) has a first support ledge width (322) separating a first support ledge inner perimeter (326) from a first support ledge outer perimeter (328), and may have a first support ledge setback (324), although the ledge is not necessarily recessed within the body. The first hosel (400) has a first bore (410) and a first bore center that defines a first shaft axis (SA) which intersects with a horizontal ground plane (GP) to define a first origin point. The first face (200) is formed of a first face material that is different from the first body (300) material and configured to be rigidly supported by the first body face opening (310). The face (200) has a first face perimeter (210), a first face thickness (220), a first face striking surface (250), and a first face rear surface (260).

A portion of the first face rear surface (260) contacts the first face support ledge (320) thereby defining a first supported face portion (240), illustrated best in FIGS. 11-12, having a first supported face area. Additionally, a portion of the first face rear surface (260) does not contact the first face support ledge (320) thereby defining a first unsupported face portion (230) having a first unsupported face area, wherein the sum of the first supported face area and the first unsupported face area is a first total face area.

The first iron-type golf club head (100) has a first center of gravity (CG) located (a) vertically toward the first top line portion (106) of the first iron-type golf club head (100) from the first origin point a first distance Y_{cg} ; (b) horizontally from the first origin point toward the first toe portion (104) of the first iron-type golf club head (100) a first distance X_{cg} ; and (c) a first distance Z_{cg} from the first origin toward

the first trailing edge (112) in a direction generally orthogonal to the vertical direction used to measure the first Ycg distance and generally orthogonal to the horizontal direction used to measure the first Xcg distance, as illustrated in FIGS. 8(a) and 8(d). The first iron-type golf club head (100) has a first opening/closing moment of inertia about a first vertical axis through the first center of gravity (CG).

As previously mentioned, the second iron-type golf club head has a second loft of at least 31 degrees. The second iron-type golf club head has a second heel portion, a second toe portion, a second top line portion, a second sole portion, a second leading edge, and a second trailing edge. Additionally, in this embodiment the second iron-type golf club head includes a second body and a second face. The second body is formed of a second body material and has a second hosel, a second face opening, and a second face support ledge. The second face support ledge has a second support ledge width separating a second support ledge inner perimeter from a second support ledge outer perimeter, and may have a second support ledge setback. The second hosel has a second bore and a second bore center that defines a second shaft axis which intersects with a horizontal ground plane to define a second origin point. The second face is formed of a second face material that is different from the second body material and configured to be rigidly supported by the second body face opening. The face has a second face perimeter, a second face thickness, a second face striking surface, and a second face rear surface.

A portion of the second face rear surface contacts the second face support ledge thereby defining a second supported face portion, having a second supported face area. Additionally, a portion of the second face rear surface does not contact the second face support ledge thereby defining a second unsupported face portion having a second unsupported face area, wherein the sum of the second supported face area and the second unsupported face area is a second total face area.

The second iron-type golf club head has a second center of gravity located (a) vertically toward the second top line portion of the second iron-type golf club head from the second origin point a second distance Ycg; (b) horizontally from the second origin point toward the second toe portion of the second iron-type golf club head a second distance Xcg; and (c) a second distance Zcg from the second origin toward the second trailing edge in a direction generally orthogonal to the vertical direction used to measure the second Ycg distance and generally orthogonal to the horizontal direction used to measure the second Xcg distance. The second iron-type golf club head has a second opening/closing moment of inertia about a second vertical axis through the second center of gravity.

In this "set" embodiment the first unsupported face area is at least 70% of the first total face area, and the second

unsupported face area is between approximate 20% and approximately 50% of the second total face area. For example, the iron-type golf club head (100) of FIG. 11 may be the first iron-type golf club head of the set having a first unsupported face area is at least 70% of the first total face area; while the iron-type golf club head (100) of FIG. 12 may be the second iron-type golf club head of the set having a second unsupported face area is between approximate 20% and approximately 50% of the second total face area. The shaded area in the iron-type golf club heads of FIG. 3 represents the area within the face support ledge inner perimeter (326) in a plane parallel to the face, which when viewed in light of FIGS. 11 and 12 is the unsupported face portion (230). Thus, another example of a two club set wherein the first unsupported face area is at least 70% of the first total face area, and the second unsupported face area is between approximate 20% and approximately 50% of the second total face area, is the 3-iron of FIG. 3(a) for the first iron-type golf club head and the pitching wedge of FIG. 3(h) for the second iron-type golf club head. Varying the unsupported face area through a set allows for higher CT's in the low lofted irons to achieve the desired gapping between clubs, while accommodating lower CT's in the higher lofted clubs, which are easier for the average golfer to hit in the middle of the face.

In a further "set" embodiment the second opening/closing moment of inertia is within 20% of the first opening/closing moment of inertia, and the second distance Ycg is within 10% of the first distance Ycg, thereby providing a consistent feel throughout the set and providing a lower piercing trajectory by ensuring that the Ycg distance does not drop too low in the higher lofted club heads. Recall the opening/closing moment of inertial is MOIy. Table 1 illustrates the properties of multiple iron-type golf club heads (100) wherein the 3-iron through the 6-iron all have lofts of 30 degrees or less, while the 7-iron through pitching wedge have lofts of 31 degrees or more. Thus, in the above example in which the 3-iron of FIG. 3(a) is the first iron-type golf club head having the first unsupported face area of at least 70% of the first total face area, and the pitching wedge of FIG. 3(h) is the second iron type-golf club head having the second unsupported face area between approximate 20% and approximately 50% of the second total face area, Table 1 illustrates that MOIy of the pitching wedge is within 20% of the MOIy of the 3-iron, and the Ycg distance of the pitching wedge is within 10% of the Ycg distance of the 3-iron. Another "set" embodiment narrows the range of unsupported face areas such that the first unsupported face area is at least 80% of the first total face area, and the second unsupported face area is less than 40% of the second total face area.

TABLE 1

Iron #	3	4	5	6	7	8	9	PW
Loft Angle	21	24	27	30	34	38	42	46
Moment of Inertia (g*cm ²)								
MOIx	530	554	577	597	639	681	726	760
MOIy	2215	2252	2288	2317	2362	2427	2473	2558
Center of Gravity (CG) (inches)								
Xcg	1.146	1.146	1.151	1.150	1.164	1.162	1.172	1.182
Ycg	0.801	0.799	0.792	0.781	0.784	0.792	0.776	0.761
Zcg	0.299	0.310	0.332	0.352	0.386	0.430	0.461	0.492

Even further embodiments specify how the unsupported face areas are achieved. With reference now to FIGS. 11 and 12, a vertical line is illustrated at the face center, with a second vertical line illustrated 1.0 inches toward the toe and a third vertical line illustrated 1.0 inches toward the heel. This particular embodiment focuses on the face support ledge (320), and specifically the top line support ledge portion (350) and top line ledge width (352), between the second vertical line and the third vertical line. One with skill in the art will recognize how to determine the face center in accordance with current USGA guidelines. In this embodiment the second iron-type golf club head has a second top line ledge width, within the second and third vertical lines, that varies from a minimum second top line ledge width to a maximum second top line ledge width, wherein the maximum second top line ledge width is at least twice the minimum second top line ledge width, which is true for the iron-type golf club head illustrated in FIG. 12. It should be noted that the ledge width is measured on the ledge, parallel to the face, in a direction that is perpendicular to the ledge outer perimeter (328).

A similar embodiment focuses on the face support ledge (320), and specifically the sole support ledge portion (360) and sole ledge width (362), between the second vertical line and the third vertical line. In this embodiment the second iron-type golf club head has a second sole ledge width, within the second and third vertical lines, that varies from a minimum second sole ledge width to a maximum second sole ledge width, wherein the maximum second sole ledge width is at least twice the minimum second sole ledge width, which is also true for the iron-type golf club head illustrated in FIG. 12.

An even further embodiment examines the location of an unsupported face portion centroid (232) on the face striking surface (250), also seen in FIGS. 11-12. Locating the centroid of a simple 2 dimensional surface area is elementary and will not be described herein. In this particular embodiment the unsupported face portion centroid (232) of the second unsupported face area is at an elevation above the horizontal ground plane that is less than the second distance Ycg. Looking again at the above example wherein the pitching wedge is the second iron-type golf club head (100), Table 1 provides an example where the Ycg distance is 0.761 inches. Therefore in this example the elevation above the ground plane of the unsupported face portion centroid (232) of the pitching wedge illustrated in FIG. 12 is less than Ycg distance of 0.761 inches.

In yet a further embodiment the unsupported face portion centroid (232) of the first unsupported face area is at an elevation above the horizontal ground plane that is greater than the first distance Ycg. Looking again at the above example wherein the 3-iron is the first iron-type golf club head (100), Table 1 provides an example where the Ycg distance is 0.801 inches. Therefore in this example the elevation above the ground plane of the unsupported face portion centroid (232) of the 3-iron, assume for the moment that it is the club head illustrated in FIG. 11, is greater than Ycg distance of 0.801 inches.

Yet another "set" embodiment incorporates a third iron-type golf club head. In this embodiment the third iron-type golf club head has a third loft of 27-40 degrees and contains all the elements of the first and the second iron-type golf club heads. In other words, the third iron-type golf club head has a third heel portion, a third toe portion, a third top line portion, a third sole portion, a third leading edge, and a third trailing edge. The third iron-type golf club head includes a third body formed of a third body material and having a third

hosel, and has a third face opening, and a third face support ledge. As with the other club heads, the third face support ledge has a third support ledge width separating a third support ledge inner perimeter from a third support ledge outer perimeter, and a third support ledge setback. Similarly, the third hosel has a third bore and a third bore center that defines a third shaft axis which intersects with the horizontal ground plane to define a third origin point. Likewise, a third face is formed of a third face material that is different from the third body material and configured to be received by the third body face opening having a third face perimeter, a third face thickness, a third face striking surface, and a third face rear surface. Further, a portion of the third face rear surface contacts the third face support ledge thereby defining a third supported face portion having a third supported face area; and a portion of the third face rear surface does not contact the third face support ledge thereby defining a third unsupported face portion having a third unsupported face area. The sum of the third supported face area and the third unsupported face area is a third total face area, and the third unsupported face area is less than the first unsupported face area, and the third unsupported face area is greater than the second unsupported face area. Further, the third iron-type golf club head has a third center of gravity located (a) vertically toward the third top line portion of the third iron-type golf club head from the third origin point a third distance Ycg, wherein the third distance Ycg is within 5% of the first distance Ycg; (b) horizontally from the third origin point toward the third toe portion of the third iron-type golf club head a third distance Xcg; and (c) a third distance Zcg from the third origin toward the third trailing edge in a direction generally orthogonal to the vertical direction used to measure the third Ycg distance and generally orthogonal to the horizontal direction used to measure the third Xcg distance. Additionally, the third iron-type golf club head has a third opening/closing moment of inertia about a third vertical axis through the second center of gravity, wherein the third opening/closing moment of inertia is within 15% of the first opening/closing moment of inertia. In one particular 3 club "set" embodiment the first loft is 27 degrees or less, and the second loft is at least 40 degrees.

A further embodiment of the 3 club "set" embodiment just described has a first unsupported face area is at least 80% of the first total face area, a second unsupported face area is less than 40% of the second total face area, and a third unsupported face area is between approximate 20% and approximately 50% of the third total face area. In yet another embodiment the unsupported face portion centroid of the second unsupported face area is at an elevation above the horizontal ground plane that is less than the second distance Ycg, and an unsupported face portion centroid of the first unsupported face area is at an elevation above the horizontal ground plane that is greater than the first distance Ycg.

Alternative "set" embodiments introduce the sole channel (300) previously disclosed into the first iron-type golf club head and the second iron-type golf club head. Specifically, the first body (300) includes a first body sole portion (108) having a first sole channel (380) extending from the exterior of the first body sole portion (108) toward the first face (200), wherein the first sole channel (380) has a first channel leading edge (382), a first channel trailing edge (384), a first channel width (386), a first channel length (388), a first channel depth (390), a first channel leading edge setback (392), and a first channel axis (394) establishing a first channel angle (396) from the vertical. Likewise, the second body includes a second body sole portion having a second sole channel extending from the exterior of the second body

sole portion toward the second face, wherein the second sole channel has a second channel leading edge, a second channel trailing edge, a second channel width, a second channel length, a second channel depth, a second channel leading edge setback, and a second channel axis establishing a second channel angle from the vertical. Another sole channel “set” embodiment is characterized by a portion of the first sole channel (380) that has the first channel axis (394) intersecting the first face (200) and the first channel angle (396) that is at least 20% of the first loft. A further embodiment specifies that a portion of the first sole channel (380) has the first channel axis (394) intersecting the first unsupported face portion (230) and the first channel angle (396) is at least 20% of the first loft.

A further sole channel “set” embodiment has a portion of the first sole channel (380) that extends through the first body sole portion (108) creating a first passageway (398) from the exterior of the first body sole portion (108) to a first termination opening (399) behind the first unsupported face portion (230). Taking this embodiment a step further, another embodiment has at least 50% of the first channel length (388) that extends through the first body sole portion (108) creating a first passageway (398) from the exterior of the first body sole portion (108) to a first termination opening (399) behind the first unsupported face portion (230). Further embodiments incorporate the same design characteristics into the second iron-type golf club head. For example, a first such embodiment has a portion of the second sole channel with a second channel axis intersecting the second face and a second channel angle that is at least 20% of the second loft. A second such embodiment has a portion of the second sole channel with a second channel axis intersecting the second unsupported face portion and wherein the second channel angle is at least 20% of the second loft. A third such embodiment incorporates a portion of the second sole channel extending through the second body sole portion and creating a second passageway from the exterior of the second body sole portion to a second termination opening behind the second unsupported face portion. A fourth such embodiment has at least 50% of the second channel length extending through the second body sole portion to create a second passageway from the exterior of the second body sole portion to a second termination opening behind the second unsupported face portion. Similar embodiments are present for the third iron-type golf club head.

Further embodiments incorporate a sole channel in the first and second iron-type golf club heads, and the first, second, and third iron-type golf club heads. For example, in one such example a portion of the first sole channel (380) has the first channel axis (394) intersecting the first face (200) and the first channel angle (396) is at least 20% of the first loft, and a portion of the second sole channel has the second channel axis intersecting the second face and the second channel angle is at least 20% of the second loft. Yet another embodiment has a portion of the first sole channel (380) with a first channel axis (394) intersecting the first face (200) and the first channel angle (396) is at least 50% of the first loft; and a portion of the second sole channel with a second channel axis intersecting the second face and the second channel angle is at least 50% of the second loft.

The iron-type golf club head (100) may be of solid (i.e., “blades” and “musclebacks”), hollow, cavity back, or other construction. In certain embodiments the iron-type golf club head (100) include a face (200) attached to the body (300). The face (200) may be formed of tool steel alloys such as JIS SKD61 and AISI H13, forged maraging steel, maraging

stainless steel, or precipitation-hardened (PH) stainless steel. In another embodiment, a maraging stainless steel C455 is utilized to form the face (200), while in another the face (200) is formed of a precipitation hardened stainless steel such as 17-4, 15-5, or 17-7. In further embodiments the face (200) is forged by hot press forging using any of the described materials in a progressive series of dies. After forging, the face (200) may be subjected to heat-treatment. In some embodiments, the body (300) is made from 17-4 steel, while other embodiments incorporate carbon steel (e.g., 1020, 1025, 1030, 8620, or 1040 carbon steel), chrome-molybdenum steel (e.g., 4140 Cr—Mo steel), Ni—Cr—Mo steel (e.g., 8620 Ni—Cr—Mo steel), austenitic stainless steel (e.g., 304, N50), and N60 stainless steel (e.g., 410 stainless steel). In addition to those noted above, some examples of metals and metal alloys that may be used to form the face (200) include, without limitation: titanium alloys (e.g., 3-2-5, 6-4, SP700, 15-3-3-3, 10-2-3, or other alpha/near alpha, alpha-beta, and beta/near beta titanium alloys), aluminum/aluminum alloys (e.g., 3000 series alloys, 5000 series alloys, 6000 series alloys, such as 6061-T6, and 7000 series alloys, such as 7075), magnesium alloys, copper alloys, and nickel alloys. In still other embodiments, the body (300) and/or face (200) are made from fiber-reinforced polymeric composite materials, and are not required to be homogeneous. Examples of composite materials and golf club components comprising composite materials are described in U.S. Patent Application Publication No. 2011/0275451, which is incorporated herein by reference in its entirety. The body (300) may include various features such as weighting elements, cartridges, and/or inserts or applied bodies as used for CG placement, vibration control or damping, or acoustic control or damping. For example, U.S. Pat. No. 6,811,496, incorporated herein by reference in its entirety, discloses the attachment of mass altering pins or cartridge weighting elements.

In some embodiments the sole channel (380) may left unfilled, however further embodiments include a filler material added into the sole channel (380). One or more fillers may be added to achieve desired performance objectives, including desired changes to the sound and feel of the club head that may be obtained by damping vibrations that occur when the club head strikes a golf ball. Examples of materials that may be suitable for use as a filler to be placed into a sole channel (380), without limitation: viscoelastic elastomers; vinyl copolymers with or without inorganic fillers; polyvinyl acetate with or without mineral fillers such as barium sulfate; acrylics; polyesters; polyurethanes; polyethers; polyamides; polybutadienes; polystyrenes; polyisoprenes; polyethylenes; polyolefins; styrene/isoprene block copolymers; hydrogenated styrenic thermoplastic elastomers; metallized polyesters; metallized acrylics; epoxies; epoxy and graphite composites; natural and synthetic rubbers; piezoelectric ceramics; thermoset and thermoplastic rubbers; foamed polymers; ionomers; low-density fiber glass; bitumen; silicone; and mixtures thereof. The metallized polyesters and acrylics can comprise aluminum as the metal. Commercially available materials include resilient polymeric materials such as Scotchweld™ (e.g., DP-105™) and Scotchdamp™ from 3M, Sorbothane™ from Sorbothane, Inc., DYAD™ and GP™ from Soundcoat Company Inc., Dynamat™ from Dynamat Control of North America, Inc., NoViFlex™ Sylomer™ from Pole Star Maritime Group, LLC, Isoplast™ from The Dow Chemical Company, Legetolex™ from Piqua Technologies, Inc., and Hybrar™ from the Kuraray Co., Ltd.

In some embodiments, a solid filler material may be press-fit or adhesively bonded into the sole channel (380). In other embodiments, a filler material may be poured, injected, or otherwise inserted into the sole channel (380) and allowed to cure in place, forming a sufficiently hardened or resilient outer surface. In still other embodiments, a filler material may be placed into the sole channel (380) and sealed in place with a resilient cap or other structure formed of a metal, metal alloy, metallic, composite, hard plastic, resilient elastomeric, or other suitable material. In some embodiments, the portion of the filler or cap that is exposed within the sole channel (380) has a generally convex shape and is disposed within the channel such that the lowermost portion of the filler or cap is displaced by a gap below the lowermost surface of the immediately adjacent portions of the body (300). The gap is preferably sufficiently large to prevent excessive wear and tear on the filler or cap that is exposed within the sole channel (380) due to striking the ground or other objects.

Those skilled in the art know that the characteristic time, often referred to as the CT, value of a golf club head is limited by the equipment rules of the United States Golf Association (USGA). As used herein, the terms “coefficient of restitution,” “COR,” “relative coefficient of restitution,” “relative COR,” “characteristic time,” and “CT” are defined according to the following. The coefficient of restitution (COR) of an iron clubhead is measured according to procedures described by the USGA Rules of Golf as specified in the “Interim Procedure for Measuring the Coefficient of Restitution of an Iron Clubhead Relative to a Baseline Plate,” Revision 1.2, Nov. 30, 2005 (hereinafter “the USGA COR Procedure”). Specifically, a COR value for a baseline calibration plate is first determined, then a COR value for an iron clubhead is determined using golf balls from the same dozen(s) used in the baseline plate calibration. The measured calibration plate COR value is then subtracted from the measured iron clubhead COR to obtain the “relative COR” of the iron clubhead. To illustrate by way of an example: following the USGA COR Procedure, a given set of golf balls may produce a measured COR value for a baseline calibration plate of 0.845. Using the same set of golf balls, an iron clubhead may produce a measured COR value of 0.825. In this example, the relative COR for the iron clubhead is $0.825 - 0.845 = -0.020$. This iron clubhead has a COR that is 0.020 lower than the COR of the baseline calibration plate, or a relative COR of -0.020 .

The characteristic time (CT) is the contact time between a metal mass attached to a pendulum that strikes the face center of the golf club head at a low speed under conditions prescribed by the USGA club conformance standards. As used herein, the term “volume” when used to refer to a golf clubhead refers to a clubhead volume measured according to the procedure described in Section 5.0 of the “Procedure For Measuring the Clubhead Size of Wood Clubs,” Revision 1.0.0, published Nov. 21, 2003 by the United States Golf Association (the USGA) and R&A Rules Limited. The foregoing procedure includes submerging a clubhead in a large volume container of water. In the case of a volume measurement of a hollow iron type clubhead, any holes or openings in the walls of the clubhead are to be covered or otherwise sealed prior to lowering the clubhead into the water.

All the ratios used in defining embodiments of the present invention involve the discovery of unique relationships among key club head engineering variables that are inconsistent with merely striving to obtain as high of a CT as possible using conventional golf club head design wisdom.

Numerous alterations, modifications, and variations of the preferred embodiments disclosed herein will be apparent to those skilled in the art and they are all anticipated and contemplated to be within the spirit and scope of the instant invention. Further, although specific embodiments have been described in detail, those with skill in the art will understand that the preceding embodiments and variations can be modified to incorporate various types of substitute and or additional or alternative materials, relative arrangement of elements, and dimensional configurations. Accordingly, even though only few variations of the present invention are described herein, it is to be understood that the practice of such additional modifications and variations and the equivalents thereof, are within the spirit and scope of the invention as defined in the following claims.

We claim:

1. A set of iron-type golf club heads, comprising:

a) a first iron-type golf club head having a first loft of 30 degrees or less, a first heel portion, a first toe portion, a first top line portion, a first sole portion, a first leading edge, and a first trailing edge, wherein the first iron-type golf club head includes:

i) a first body formed of a first body material and having a first hosel, wherein the first hosel has a first bore and a first bore center that defines a first shaft axis which intersects with a horizontal ground plane to define a first origin point and defines a first shaft axis plane;

ii) a first face formed of a first face material and attached to the first body, a first face thickness, a first face striking surface, and a first face rear surface, wherein:

(a) a portion of the first face rear surface defines a first closed void; and

(b) a first passageway from the first closed void and accessible from an exterior of the first body, wherein each vertical cross-section through the first passageway establishes a first passageway axis and a first passageway angle from vertical that is at least 50% of the first loft, and at least a portion of the first passageway axis intersects the first face at a first axis-to-face intersection point and intersects the first shaft axis plane;

iii) wherein the first iron-type golf club head has a first center of gravity located:

(a) vertically toward the first top line portion of the first iron-type golf club head from the first origin point a first distance Y_{cg} ;

(b) horizontally from the first origin point toward the first toe portion of the first iron-type golf club head a first distance X_{cg} ;

(c) a first distance Z_{cg} from the first origin toward the first trailing edge in a direction generally orthogonal to the vertical direction used to measure the first Y_{cg} distance and generally orthogonal to the horizontal direction used to measure the first X_{cg} distance; and

(d) wherein the first iron-type golf club head has a first opening/closing moment of inertia about a first vertical axis through the first center of gravity, and a first lofting/delothing moment of inertia about a horizontal axis through the first center of gravity of no more than $760 \text{ g} \cdot \text{cm}^2$;

iv) wherein in a first horizontal section parallel to the horizontal ground plane and passing through the first center of gravity, the first closed void is located between the first center of gravity and the first face,

15

- with no portion of the first closed void within the first horizontal section extending behind the first center of gravity;
- b) a second iron-type golf club head having a second loft of at least 31 degrees, a second heel portion, a second toe portion, a second top line portion, a second sole portion, a second leading edge, and a second trailing edge, wherein the second iron-type golf club head includes:
- i) a second body formed of a second body material and having a second hosel, wherein the second hosel has a second bore and a second bore center that defines a second shaft axis which intersects with a horizontal ground plane to define a second origin point and defines a second shaft axis plane;
 - ii) a second face formed of a second face material and attached to the second body, a second face thickness, a second face striking surface, and a second face rear surface, wherein:
 - (a) a portion of the second face rear surface defines a second closed void; and
 - (b) a second passageway from the second closed void and accessible from an exterior of the second body, wherein each vertical cross-section through the second passageway establishes a second passageway axis and a second passageway angle from vertical that is at least 50% of the second loft, and at least a portion of the second passageway axis intersects the second face at a second axis-to-face intersection point and intersects the second shaft axis plane;
 - iii) wherein the second iron-type golf club head has a second center of gravity located:
 - (a) vertically toward the second top line portion of the second iron-type golf club head from the second origin point a second distance Y_{cg} ;
 - (b) horizontally from the second origin point toward the second toe portion of the second iron-type golf club head a second distance X_{cg} ;
 - (c) a second distance Z_{cg} from the second origin toward the second trailing edge in a direction generally orthogonal to the vertical direction used to measure the second Y_{cg} distance and generally orthogonal to the horizontal direction used to measure the second X_{cg} distance; and
 - (d) wherein the second iron-type golf club head has a second opening/closing moment of inertia about a second vertical axis through the second center of gravity, and a second lofting/delothing moment of inertia about a horizontal axis through the second center of gravity of no more than $760 \text{ g} \cdot \text{cm}^2$;
 - c) wherein the second opening/closing moment of inertia is within 20% of the first opening/closing moment of inertia, and the second distance Y_{cg} is within 10% of the first distance Y_{cg} .
2. The set of iron-type golf club heads of claim 1, wherein a portion of at least one of the first face thickness and the second face thickness is less than 2.0 mm, the first face material is different from the first body material, and the second face material is different from the second body material.
3. The set of iron-type golf club heads of claim 1, wherein the first passageway has a first passageway width and a portion of the first passageway width is greater than the first face thickness.

16

4. The set of iron-type golf club heads of claim 1, wherein a portion of the first closed void has a first void depth that is less than the first face thickness.
5. The set of iron-type golf club heads of claim 1, wherein the first opening/closing moment of inertia and the second opening/closing moment of inertia are no more than $2558 \text{ g} \cdot \text{cm}^2$, the first distance Y_{cg} and the second distance Y_{cg} are no more than 0.801", and the first distance Z_{cg} and the second distance Z_{cg} are no more than 0.492".
6. The set of iron-type golf club heads of claim 5, wherein the first distance Y_{cg} and the second distance Y_{cg} are at least 0.761".
7. The set of iron-type golf club heads of claim 4, wherein in a second horizontal section parallel to the horizontal ground plane and passing through the second center of gravity, the second closed void is located between the second center of gravity and the second face, with no portion of the second closed void within the second horizontal section extending behind the second center of gravity.
8. The set of iron-type golf club heads of claim 1, wherein at least one of the first passageway and the first closed void contain a first elastomer.
9. The set of iron-type golf club heads of claim 1, wherein the elevation of at least one of the first axis-to-face intersection point and the second axis-to-face intersection point is less than the first distance Y_{cg} .
10. The set of iron-type golf club heads of claim 1, wherein the first body further includes at least one first body weight element secured to the exterior of the first body, and the second body further includes at least one second body weight element secured to the exterior of the second body.
11. The set of iron-type golf club heads of claim 10, wherein a portion of the first body weight element is in communication with the first closed void, and a portion of the second body weight element is in communication with the second closed void.
12. The set of iron-type golf club heads of claim 11, wherein at least one of the first passageway and the first closed void contain a first elastomer.
13. The set of iron-type golf club heads of claim 12, wherein a portion of the first body weight element is in contact with the first elastomer.
14. A set of iron-type golf club heads, comprising:
- a) a first iron-type golf club head having a first loft of 30 degrees or less, a first heel portion, a first toe portion, a first top line portion, a first sole portion, a first leading edge, and a first trailing edge, wherein the first iron-type golf club head includes:
 - i) a first body formed of a first body material and having a first hosel, wherein the first hosel has a first bore and a first bore center that defines a first shaft axis which intersects with a horizontal ground plane to define a first origin point and defines a first shaft axis plane;
 - ii) a first face formed of a first face material and attached to the first body, a first face thickness, a first face striking surface, and a first face rear surface, wherein:
 - (a) a portion of the first face rear surface defines a first closed void; and
 - (b) a first passageway from the first closed void and accessible from an exterior of the first body;
 - iii) wherein the first iron-type golf club head has a first center of gravity located:
 - (a) vertically toward the first top line portion of the first iron-type golf club head from the first origin point a first distance Y_{cg} ;

17

- (b) horizontally from the first origin point toward the first toe portion of the first iron-type golf club head a first distance Xcg;
 - (c) a first distance Zcg from the first origin toward the first trailing edge in a direction generally orthogonal to the vertical direction used to measure the first Ycg distance and generally orthogonal to the horizontal direction used to measure the first Xcg distance; and
 - (d) wherein the first iron-type golf club head has a first opening/closing moment of inertia about a first vertical axis through the first center of gravity, and a first lofting/delofting moment of inertia about a horizontal axis through the first center of gravity;
- b) a second iron-type golf club head having a second loft of at least 31 degrees, a second heel portion, a second toe portion, a second top line portion, a second sole portion, a second leading edge, and a second trailing edge, wherein the second iron-type golf club head includes:
- i) a second body formed of a second body material and having a second hosel, wherein the second hosel has a second bore and a second bore center that defines a second shaft axis which intersects with a horizontal ground plane to define a second origin point and defines a second shaft axis plane;
 - ii) a second face formed of a second face material and attached to the second body, a second face thickness, a second face striking surface, and a second face rear surface, wherein:
 - (a) a portion of the second face rear surface defines a second closed void; and
 - (b) a second passageway from the second closed void and accessible from an exterior of the second body;
 - iii) wherein the second iron-type golf club head has a second center of gravity located:
 - (a) vertically toward the second top line portion of the second iron-type golf club head from the second origin point a second distance Ycg;
 - (b) horizontally from the second origin point toward the second toe portion of the second iron-type golf club head a second distance Xcg;
 - (c) a second distance Zcg from the second origin toward the second trailing edge in a direction generally orthogonal to the vertical direction used to measure the second Ycg distance and generally

18

- orthogonal to the horizontal direction used to measure the second Xcg distance; and
 - (d) wherein the second iron-type golf club head has a second opening/closing moment of inertia about a second vertical axis through the second center of gravity, and a second lofting/delofting moment of inertia about a horizontal axis through the second center of gravity;
 - c) wherein the second opening/closing moment of inertia is within 20% of the first opening/closing moment of inertia, the second distance Ycg is within 10% of the first distance Ycg, the first opening/closing moment of inertia and the second opening/closing moment of inertia are no more than 2558 g*cm², the first lofting/delofting moment of inertia and the second lofting/delofting moment of inertia are no more than 760 g*cm², the first distance Ycg and the second distance Ycg are no more than 0.801", and the first distance Zcg and the second distance Zcg are no more than 0.492".
15. The set of iron-type golf club heads of claim 14, wherein at least one of the first passageway and the first closed void contain a first elastomer, and at least one of the second passageway and the second closed void contain a second elastomer.
16. The set of iron-type golf club heads of claim 14, wherein in a first horizontal section parallel to the horizontal ground plane and passing through the first center of gravity, the first closed void is located between the first center of gravity and the first face, with no portion of the first closed void within the first horizontal section extending behind the first center of gravity.
17. The set of iron-type golf club heads of claim 16, wherein in a second horizontal section parallel to the horizontal ground plane and passing through the second center of gravity, the second closed void is located between the second center of gravity and the second face, with no portion of the second closed void within the second horizontal section extending behind the second center of gravity.
18. The set of iron-type golf club heads of claim 14, wherein a portion of the first closed void has a first void depth that is less than the first face thickness.
19. The set of iron-type golf club heads of claim 14, wherein a portion of at least one of the first face thickness and the second face thickness is less than 2.0 mm, the first face material is different from the first body material, and the second face material is different from the second body material.

* * * * *