



(12) **United States Patent**
Burnett et al.

(10) **Patent No.:** **US 11,045,696 B2**
(45) **Date of Patent:** ***Jun. 29, 2021**

(54) **IRON-TYPE GOLF CLUB HEAD**
(71) Applicant: **Taylor Made Golf Company, Inc.**,
Carlsbad, CA (US)
(72) Inventors: **Michael Scott Burnett**, McKinney, TX
(US); **Bryan Seon**, Garland, TX (US);
Jeffrey T. Halstead, Plano, TX (US);
Justin Girard, Dallas, TX (US)
(73) Assignee: **TAYLOR MADE GOLF COMPANY,**
INC., Carlsbad, CA (US)
(*) Notice: Subject to any disclaimer, the term of this
patent is extended or adjusted under 35
U.S.C. 154(b) by 0 days.
This patent is subject to a terminal dis-
claimer.

(52) **U.S. Cl.**
CPC **A63B 53/0475** (2013.01); **A63B 53/04**
(2013.01); **A63B 53/0466** (2013.01); **A63B**
60/52 (2015.10); **A63B 53/0408** (2020.08);
A63B 53/0412 (2020.08); **A63B 53/0433**
(2020.08); **A63B 53/0437** (2020.08); **A63B**
53/0458 (2020.08); **A63B 60/48** (2015.10);
A63B 60/50 (2015.10)
(58) **Field of Classification Search**
CPC **A63B 53/0433**
USPC **473/324-350**
See application file for complete search history.

(21) Appl. No.: **16/786,430**
(22) Filed: **Feb. 10, 2020**
(65) **Prior Publication Data**
US 2020/0171364 A1 Jun. 4, 2020

(56) **References Cited**
U.S. PATENT DOCUMENTS
411,000 A 9/1889 Anderson
708,575 A 9/1902 Mules
(Continued)

FOREIGN PATENT DOCUMENTS
CN 2436182 Y 6/2001
CN 201353407 Y 12/2009
(Continued)

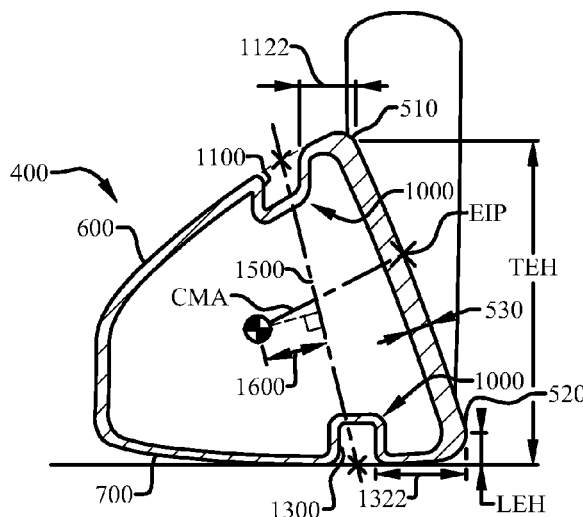
OTHER PUBLICATIONS
Office action from the U.S. Patent and Trademark office in the U.S.
Appl. No. 13/401,690, dated May 23, 2012.
(Continued)

Primary Examiner — Alvin A Hunter
(74) *Attorney, Agent, or Firm* — Dawsey Co., LPA;
David J. Dawsey

Related U.S. Application Data
(63) Continuation of application No. 16/366,481, filed on
Mar. 27, 2019, now Pat. No. 10,556,160, which is a
continuation of application No. 15/957,961, filed on
Apr. 20, 2018, now Pat. No. 10,245,485, which is a
continuation of application No. 15/437,835, filed on
Feb. 21, 2017, now Pat. No. 9,950,223, which is a
continuation of application No. 14/868,446, filed on
(Continued)
(51) **Int. Cl.**
A63B 53/04 (2015.01)
A63B 60/52 (2015.01)
A63B 60/48 (2015.01)
A63B 60/50 (2015.01)

(57) **ABSTRACT**
An iron-type golf club incorporating a stress reducing fea-
ture, which may include an aperture. The location and size
of the stress reducing feature and aperture selectively
increase deflection of the face.

20 Claims, 28 Drawing Sheets



Related U.S. Application Data

Sep. 29, 2015, now Pat. No. 9,610,482, which is a continuation of application No. 14/472,415, filed on Aug. 29, 2014, now Pat. No. 9,168,434, which is a continuation of application No. 13/397,122, filed on Feb. 15, 2012, now Pat. No. 8,821,312, which is a continuation-in-part of application No. 12/791,025, filed on Jun. 1, 2010, now Pat. No. 8,235,844.

(56)

References Cited

U.S. PATENT DOCUMENTS

727,819	A	5/1903	Mattern	4,214,754	A	7/1980	Zebelean
819,900	A	5/1906	Martin	D256,709	S	9/1980	Reid, Jr. et al.
1,133,129	A	3/1915	Govan	4,247,105	A	1/1981	Jeghers
1,518,316	A	12/1924	Ellingham	4,262,562	A	4/1981	MacNeill
1,526,438	A	2/1925	Scott	D259,698	S	6/1981	MacNeill
1,538,312	A	5/1925	Beat	4,322,083	A	3/1982	Imai
1,592,463	A	7/1926	Marker	4,340,229	A	7/1982	Stuff, Jr.
1,658,581	A	2/1928	Tobia	4,398,965	A	8/1983	Campau
1,704,119	A	3/1929	Buhrke	4,411,430	A	10/1983	Dian
1,705,997	A	3/1929	Quynn	4,423,874	A	1/1984	Stuff, Jr.
1,970,409	A	8/1934	Wiedemann	4,431,192	A	2/1984	Stuff, Jr.
2,004,968	A	6/1935	Young	4,432,549	A	2/1984	Zebelean
2,034,936	A	3/1936	Barnhart	4,438,931	A	3/1984	Motomiya
2,041,676	A	5/1936	Gallagher	4,471,961	A	9/1984	Masghati et al.
D107,007	S	11/1937	Cashmore	4,489,945	A	12/1984	Kobayashi
2,198,981	A	4/1940	Sullivan	4,527,799	A	7/1985	Solheim
2,214,356	A	9/1940	Wettlaufer	4,530,505	A	7/1985	Stuff
2,225,930	A	12/1940	Sexton	D284,346	S	6/1986	Masters
2,328,583	A	9/1943	Reach	4,592,552	A	6/1986	Garber
2,332,342	A	10/1943	Reach	4,602,787	A	7/1986	Sugioka et al.
2,360,364	A	10/1944	Reach	4,607,846	A	8/1986	Perkins
2,375,249	A	5/1945	Richer	D285,473	S	9/1986	Flood
2,460,435	A	2/1949	Schaffer	4,712,798	A	12/1987	Preato
2,681,523	A	6/1954	Sellers	4,730,830	A	3/1988	Tilley
2,968,486	A	1/1961	Jackson	4,736,093	A	4/1988	Braly
3,064,980	A	11/1962	Steiner	4,754,974	A	7/1988	Kobayashi
3,084,940	A	4/1963	Cissel	4,754,977	A	7/1988	Sahm
3,085,804	A	4/1963	Pieper	4,762,322	A	8/1988	Molitor et al.
3,166,320	A	1/1965	Onions	4,787,636	A	11/1988	Honma
3,466,047	A	9/1969	Rodia et al.	4,795,159	A	1/1989	Nagamoto
3,486,755	A	12/1969	Hodge	4,803,023	A	2/1989	Enomoto et al.
3,556,533	A	1/1971	Hollis	4,809,983	A	3/1989	Langert
3,589,731	A	6/1971	Chancellor	4,852,880	A	8/1989	Kobayashi
3,606,327	A	9/1971	Gorman	4,867,457	A	9/1989	Lowe
3,610,630	A	10/1971	Glover	4,867,458	A	9/1989	Sumikawa et al.
3,652,094	A	3/1972	Glover	4,869,507	A	9/1989	Sahm
3,672,419	A	6/1972	Fischer	4,881,739	A	11/1989	Garcia
3,692,306	A	9/1972	Glover	4,890,840	A	1/1990	Kobayashi
3,743,297	A	7/1973	Dennis	4,895,367	A	1/1990	Kajita et al.
3,860,244	A	1/1975	Cosby	4,895,371	A	1/1990	Bushner
3,893,672	A	7/1975	Schonher	4,915,558	A	4/1990	Muller
3,897,066	A	7/1975	Belmont	4,919,428	A	4/1990	Perkins
3,961,796	A	6/1976	Thompson	D307,783	S	5/1990	Iinuma
3,970,236	A	7/1976	Rogers	4,962,932	A	10/1990	Anderson
3,976,299	A	8/1976	Lawrence et al.	4,994,515	A	2/1991	Washiyama et al.
3,979,122	A	9/1976	Belmont	5,006,023	A	4/1991	Kaplan
3,979,123	A	9/1976	Belmont	5,020,950	A	6/1991	Ladouceur
3,985,363	A	10/1976	Jepson et al.	5,028,049	A	7/1991	McKeighen
3,997,170	A	12/1976	Goldberg	5,039,267	A	8/1991	Wollar
4,008,896	A	2/1977	Gordos	5,042,806	A	8/1991	Helmstetter
4,027,885	A	6/1977	Rogers	5,050,879	A	9/1991	Sun et al.
4,043,563	A	8/1977	Churchward	5,058,895	A	10/1991	Igarashi
4,052,075	A	10/1977	Daly	5,076,585	A	12/1991	Bouquet
4,065,133	A	12/1977	Gordos	D323,035	S	1/1992	Yang
4,076,254	A	2/1978	Nygren	5,078,400	A	1/1992	Desbiolles et al.
4,077,633	A	3/1978	Studen	5,092,599	A	3/1992	Okumoto et al.
4,085,934	A	4/1978	Churchward	5,116,054	A	5/1992	Johnson
4,121,832	A	10/1978	Ebbing	5,121,922	A	6/1992	Harsh, Sr.
4,139,196	A	2/1979	Riley	5,122,020	A	6/1992	Bedi
4,147,349	A	4/1979	Jeghers	5,172,913	A	12/1992	Bouquet
4,150,702	A	4/1979	Holmes	5,190,289	A	3/1993	Nagai et al.
4,165,076	A	8/1979	Cella	5,193,810	A	3/1993	Antonious
4,189,976	A	2/1980	Becker	5,203,565	A	4/1993	Murray et al.
4,193,601	A	3/1980	Reid, Jr. et al.	5,221,086	A	6/1993	Antonious
				5,232,224	A	8/1993	Zeider
				5,244,210	A	9/1993	Au
				5,251,901	A	10/1993	Solheim et al.
				5,253,869	A	10/1993	Dingle et al.
				5,255,919	A	10/1993	Johnson
				D343,558	S	1/1994	Latraverse et al.
				5,297,794	A	3/1994	Lu
				5,301,944	A	4/1994	Koehler
				5,306,008	A	4/1994	Kinoshita
				5,312,106	A	5/1994	Cook
				5,316,305	A	5/1994	McCabe
				5,318,297	A	6/1994	Davis et al.
				5,320,005	A	6/1994	Hsiao
				5,328,176	A	7/1994	Lo
				5,340,106	A	8/1994	Ravaris

(56)

References Cited

U.S. PATENT DOCUMENTS

5,346,216	A	9/1994	Aizawa	5,776,011	A	7/1998	Su et al.	
5,346,217	A	9/1994	Tsuchiya et al.	5,785,608	A	7/1998	Collins	
D351,441	S	10/1994	Iinuma et al.	5,785,609	A	7/1998	Sheets et al.	
5,385,348	A	1/1995	Wargo	5,788,587	A	8/1998	Tseng	
5,395,113	A	3/1995	Antonious	5,797,807	A	8/1998	Moore	
D357,290	S	4/1995	Viollaz et al.	5,798,587	A	8/1998	Lee	
5,410,798	A	5/1995	Lo	D397,750	S	9/1998	Frazetta	
5,419,556	A	5/1995	Take	RE35,955	E	11/1998	Lu	
5,421,577	A	6/1995	Kobayashi	5,830,084	A	11/1998	Kosmatka	
5,429,365	A	7/1995	McKeighen	5,833,551	A	11/1998	Vincent et al.	
5,437,456	A	8/1995	Schmidt et al.	D402,726	S	12/1998	McCabe et al.	
5,439,222	A	8/1995	Kranenberg	D403,037	S	12/1998	Stone et al.	
5,439,223	A	8/1995	Kobayashi	5,851,160	A	12/1998	Rugge et al.	
5,441,274	A	8/1995	Clay	D405,488	S	2/1999	Burrows	
5,447,309	A	9/1995	Vincent	5,876,293	A	3/1999	Musty	
5,449,260	A	9/1995	Whittle	5,885,166	A	3/1999	Shiraishi	
D363,750	S	10/1995	Reed	5,890,971	A	4/1999	Shiraishi	
D365,615	S	12/1995	Shimatani	D409,463	S	5/1999	McMullin	
D366,508	S	1/1996	Hutin	5,908,356	A	6/1999	Nagamoto	
5,482,280	A	1/1996	Yamawaki	5,911,638	A	6/1999	Parente et al.	
5,484,155	A	1/1996	Yamawaki et al.	5,913,735	A	6/1999	Kenmi	
5,492,327	A	2/1996	Biafore, Jr.	5,916,042	A	6/1999	Reimers	
5,511,786	A	4/1996	Antonious	D412,547	S	8/1999	Fong	
5,518,243	A	5/1996	Redman	5,935,019	A	8/1999	Yamamoto	
5,533,730	A	7/1996	Ruvang	5,935,020	A	8/1999	Stites et al.	
D372,512	S	8/1996	Simmons	5,941,782	A	8/1999	Cook	
5,544,884	A	8/1996	Hardman	D413,952	S	9/1999	Oyer	
5,547,188	A	8/1996	Dumontier et al.	5,947,840	A	9/1999	Ryan	
5,558,332	A	9/1996	Cook	5,954,595	A	9/1999	Antonious	
D375,130	S	10/1996	Hlinka et al.	5,967,905	A	10/1999	Nakahara et al.	
5,564,705	A	10/1996	Kobayashi et al.	5,971,867	A	10/1999	Galy	
5,571,053	A	11/1996	Lane	5,976,033	A	11/1999	Takeda	
5,573,467	A	11/1996	Chou et al.	5,997,415	A	12/1999	Wood	
5,575,723	A	11/1996	Take et al.	6,001,029	A	12/1999	Kobayashi	
5,582,553	A	12/1996	Ashcraft et al.	6,007,433	A	12/1999	Helmstetter et al.	
5,584,770	A	12/1996	Jensen	6,015,354	A	1/2000	Ahn et al.	
D377,509	S	1/1997	Katayama	6,017,177	A	1/2000	Lanham	
5,599,243	A	2/1997	Kobayashi	6,019,686	A	2/2000	Gray	
5,613,917	A	3/1997	Kobayashi et al.	6,023,891	A	2/2000	Robertson et al.	
D378,770	S	4/1997	Hlinka et al.	6,027,415	A	2/2000	Takeda	
5,616,088	A	4/1997	Aizawa et al.	6,032,677	A	3/2000	Blechman et al.	
5,620,379	A	4/1997	Borys	6,033,318	A	3/2000	Drajan, Jr. et al.	
5,624,331	A	4/1997	Lo et al.	6,033,319	A	3/2000	Farrar	
5,629,475	A	5/1997	Chastonay	6,033,321	A	3/2000	Yamamoto	
5,632,694	A	5/1997	Lee	6,042,486	A	3/2000	Gallagher	
5,632,695	A	5/1997	Hlinka et al.	6,048,278	A	* 4/2000	Meyer	A63B 53/0466
5,645,495	A	* 7/1997	Saso					473/345
D382,612	S	8/1997	Oyer	6,056,649	A	5/2000	Imai	
5,658,206	A	8/1997	Antonious	6,062,988	A	5/2000	Yamamoto	
5,669,826	A	9/1997	Chang et al.	6,074,308	A	6/2000	Domas	
5,669,827	A	9/1997	Nagamoto	6,077,171	A	6/2000	Yoneyama	
5,681,228	A	10/1997	Mikame et al.	6,080,068	A	6/2000	Takeda	
5,683,309	A	11/1997	Reimers	6,080,069	A	6/2000	Long	
5,688,189	A	11/1997	Bland	6,083,115	A	7/2000	King	
5,695,412	A	12/1997	Cook	6,086,485	A	7/2000	Hamada et al.	
5,700,208	A	12/1997	Nelms	6,089,994	A	7/2000	Sun	
5,709,613	A	1/1998	Sheraw	6,093,113	A	7/2000	Mertens	
5,718,641	A	2/1998	Lin	6,123,627	A	9/2000	Antonious	
5,720,674	A	2/1998	Galy	6,139,445	A	10/2000	Werner et al.	
D392,354	S	3/1998	Burrows	6,146,286	A	11/2000	Masuda	
D392,526	S	3/1998	Nicely	6,149,533	A	11/2000	Finn	
5,735,754	A	4/1998	Antonious	6,162,132	A	12/2000	Yoneyama	
D394,688	S	5/1998	Fox	6,162,133	A	12/2000	Peterson	
5,746,664	A	5/1998	Reynolds, Jr.	6,168,537	B1	1/2001	Ezawa	
5,749,795	A	* 5/1998	Schmidt	6,171,204	B1	1/2001	Starry	
				6,186,905	B1	2/2001	Kosmatka	
				6,190,267	B1	2/2001	Marlowe et al.	
				6,193,614	B1	2/2001	Sasamoto et al.	
				6,203,448	B1	3/2001	Yamamoto	
				6,206,789	B1	3/2001	Takeda	
				6,206,790	B1	3/2001	Kubica et al.	
				6,210,290	B1	4/2001	Erickson et al.	
				6,217,461	B1	4/2001	Galy	
				6,238,303	B1	5/2001	Fite	
				6,244,974	B1	6/2001	Hanberry, Jr.	
				6,244,976	B1	6/2001	Murphy et al.	
				6,248,025	B1	6/2001	Murphey et al.	
				6,254,494	B1	7/2001	Hasebe et al.	
				6,264,414	B1	7/2001	Hartmann et al.	
5,755,627	A	5/1998	Yamazaki et al.					
5,759,114	A	6/1998	Bluto et al.					
5,762,567	A	6/1998	Antonious					
5,766,091	A	6/1998	Humphrey et al.					
5,766,095	A	6/1998	Antonious					
5,769,737	A	6/1998	Holladay et al.					
5,772,527	A	6/1998	Liu					
5,776,010	A	7/1998	Helmstetter et al.					

(56)

References Cited

U.S. PATENT DOCUMENTS

6,270,422 B1	8/2001	Fisher	6,605,007 B1	8/2003	Bissonnette et al.	
6,277,032 B1	8/2001	Smith	6,607,452 B2	8/2003	Helmstetter et al.	
6,290,609 B1	9/2001	Takeda	6,612,938 B2	9/2003	Murphy et al.	
6,296,579 B1	10/2001	Robinson	6,616,547 B2	9/2003	Vincent et al.	
6,299,547 B1	10/2001	Kosmatka	6,620,055 B2*	9/2003	Saso	A63B 60/00 473/324
6,306,048 B1	10/2001	McCabe et al.	6,620,056 B2	9/2003	Galloway et al.	
6,319,149 B1	11/2001	Lee	6,638,180 B2	10/2003	Tsurumaki	
6,319,150 B1	11/2001	Werner et al.	6,638,183 B2	10/2003	Takeda	
6,325,728 B1	12/2001	Helmstetter et al.	D482,089 S	11/2003	Burrows	
6,332,847 B2	12/2001	Murphy et al.	D482,090 S	11/2003	Burrows	
6,334,817 B1	1/2002	Ezawa et al.	D482,420 S	11/2003	Burrows	
6,334,818 B1	1/2002	Cameron et al.	6,641,487 B1	11/2003	Hamburger	
6,338,683 B1	1/2002	Kosmatka	6,641,490 B2	11/2003	Ellemor	
6,340,337 B2	1/2002	Hasebe et al.	6,648,772 B2	11/2003	Vincent et al.	
6,344,000 B1	2/2002	Hamada et al.	6,648,773 B1	11/2003	Evans	
6,344,001 B1	2/2002	Hamada et al.	6,652,387 B2	11/2003	Liberatore	
6,344,002 B1	2/2002	Kajita	D484,208 S	12/2003	Burrows	
6,348,012 B1	2/2002	Erickson et al.	6,663,504 B2	12/2003	Hocknell et al.	
6,348,013 B1*	2/2002	Kosmatka	6,663,506 B2	12/2003	Nishimoto et al.	
			6,669,571 B1	12/2003	Cameron et al.	
			6,669,576 B1	12/2003	Rice	
			6,669,577 B1	12/2003	Hocknell et al.	
			6,669,578 B1	12/2003	Evans	
6,348,014 B1	2/2002	Chiu	6,669,580 B1	12/2003	Cackett et al.	
6,354,962 B1	3/2002	Galloway et al.	6,676,536 B1	1/2004	Jacobson	
6,364,788 B1	4/2002	Helmstetter et al.	6,679,786 B2	1/2004	McCabe	
6,368,232 B1	4/2002	Hamada et al.	D486,542 S	2/2004	Burrows	
6,368,234 B1	4/2002	Galloway	6,695,712 B1	2/2004	Iwata et al.	
6,371,868 B1	4/2002	Galloway et al.	6,716,111 B2	4/2004	Liberatore	
6,379,264 B1	4/2002	Forzano	6,716,114 B2	4/2004	Nishio	
6,379,265 B1	4/2002	Hirakawa et al.	6,719,510 B2	4/2004	Cobzaru	
6,383,090 B1	5/2002	Odoherly et al.	6,719,641 B2	4/2004	Dabbs et al.	
6,386,987 B1	5/2002	Lejeune, Jr.	6,719,645 B2	4/2004	Kouno	
6,386,990 B1	5/2002	Reyes et al.	6,723,002 B1	4/2004	Barlow	
6,390,933 B1	5/2002	Galloway et al.	6,739,982 B2	5/2004	Murphy et al.	
6,398,666 B1	6/2002	Evans et al.	6,739,983 B2	5/2004	Helmstetter et al.	
6,406,378 B1	6/2002	Murphy et al.	6,743,118 B1	6/2004	Soracco	
6,409,612 B1	6/2002	Evans et al.	6,749,523 B1	6/2004	Forzano	
6,425,832 B2	7/2002	Cackett et al.	6,757,572 B1	6/2004	Forest	
6,434,811 B1	8/2002	Helmstetter et al.	6,758,763 B2	7/2004	Murphy et al.	
6,435,977 B1	8/2002	Helmstetter et al.	6,766,726 B1	7/2004	Schwarzkopf	
6,436,142 B1	8/2002	Paes et al.	6,773,359 B1	8/2004	Lee	
6,440,008 B2	8/2002	Murphy et al.	6,773,360 B2	8/2004	Willett et al.	
6,440,009 B1	8/2002	Guibaud et al.	6,773,361 B1	8/2004	Lee	
6,440,010 B1	8/2002	Deshmukh	6,776,723 B2	8/2004	Bliss et al.	
6,443,851 B1	9/2002	Liberatore	6,776,726 B2	8/2004	Sano	
6,458,042 B1	10/2002	Chen	6,783,465 B2	8/2004	Matsunaga	
6,458,044 B1	10/2002	Vincent et al.	6,800,038 B2	10/2004	Willett et al.	
6,461,249 B2	10/2002	Liberatore	6,800,040 B2	10/2004	Galloway et al.	
6,464,598 B1	10/2002	Miller	6,805,643 B1	10/2004	Lin	
6,471,604 B2	10/2002	Hocknell et al.	6,808,460 B2	10/2004	Namiki	
6,475,101 B2	11/2002	Burrows	6,811,496 B2	11/2004	Wahl et al.	
6,475,102 B2	11/2002	Helmstetter et al.	6,821,214 B2	11/2004	Rice	
6,478,692 B2	11/2002	Kosmatka	6,824,475 B2	11/2004	Burnett et al.	
6,482,106 B2	11/2002	Saso	6,835,145 B2	12/2004	Tsurumaki	
6,491,592 B2	12/2002	Cackett et al.	D501,036 S	1/2005	Burrows	
6,508,978 B1	1/2003	Deshmukh	D501,523 S	2/2005	Dogan et al.	
6,514,154 B1	2/2003	Finn	D501,669 S	2/2005	Burrows	
6,524,194 B2	2/2003	McCabe	D501,903 S	2/2005	Tanaka	
6,524,197 B2	2/2003	Boone	6,855,068 B2	2/2005	Antonious	
6,524,198 B2	2/2003	Takeda	6,860,818 B2	3/2005	Mahaffey et al.	
6,527,649 B1	3/2003	Neher et al.	6,860,823 B2	3/2005	Lee	
6,527,650 B2	3/2003	Reyes et al.	6,860,824 B2	3/2005	Evans	
6,530,847 B1	3/2003	Antonious	6,863,624 B1	3/2005	Kessler	
6,530,848 B2	3/2003	Gillig	D504,478 S	4/2005	Burrows	
6,533,679 B1	3/2003	McCabe et al.	6,875,124 B2	4/2005	Gilbert et al.	
6,547,676 B2	4/2003	Cackett et al.	6,875,129 B2	4/2005	Erickson et al.	
6,558,273 B2	5/2003	Kobayashi et al.	6,875,130 B2	4/2005	Nishio	
6,565,448 B2	5/2003	Cameron	6,881,158 B2	4/2005	Yang et al.	
6,565,452 B2	5/2003	Helmstetter et al.	6,881,159 B2	4/2005	Galloway et al.	
6,569,029 B1	5/2003	Hamburger	6,887,165 B2	5/2005	Tsurumaki	
6,569,040 B2	5/2003	Bradstock	6,890,267 B2	5/2005	Mahaffey et al.	
6,572,489 B2	6/2003	Miyamoto et al.	D506,236 S	6/2005	Evans et al.	
6,575,845 B2	6/2003	Galloway et al.	6,902,497 B2	6/2005	Deshmukh et al.	
6,582,323 B2	6/2003	Soracco et al.	6,904,663 B2	6/2005	Willett et al.	
6,592,466 B2	7/2003	Helmstetter et al.	D508,274 S	8/2005	Burrows	
6,592,468 B2	7/2003	Vincent et al.	D508,275 S	8/2005	Burrows	
6,602,149 B1	8/2003	Jacobson	6,923,734 B2	8/2005	Meyer	

(56)

References Cited

U.S. PATENT DOCUMENTS

6,926,619 B2	8/2005	Helmstetter et al.	7,267,620 B2	9/2007	Chao et al.	
6,929,563 B2	8/2005	Nishitani	7,273,423 B2	9/2007	Imamoto	
6,932,717 B2	8/2005	Hou et al.	D552,701 S	10/2007	Ruggiero et al.	
6,960,141 B2	11/2005	Noguchi et al.	7,278,927 B2	10/2007	Gibbs et al.	
6,960,142 B2	11/2005	Bissonnette et al.	7,281,985 B2	10/2007	Galloway	
6,964,617 B2	11/2005	Williams	D554,720 S	11/2007	Barez et al.	
6,974,393 B2	12/2005	Caldwell et al.	7,291,074 B2	11/2007	Kouno et al.	
6,984,180 B2	1/2006	Hasebe	7,294,064 B2 *	11/2007	Tsurumaki	A63B 53/0466 473/329
6,988,960 B2	1/2006	Mahaffey et al.	7,294,065 B2	11/2007	Liang et al.	
6,991,558 B2	1/2006	Beach et al.	7,297,072 B2	11/2007	Meyer et al.	
6,991,560 B2	1/2006	Tseng	7,303,488 B2	12/2007	Kakiuchi et al.	
D515,165 S	2/2006	Zimmerman et al.	7,306,527 B2	12/2007	Williams et al.	
6,994,636 B2	2/2006	Hocknell et al.	7,314,418 B2	1/2008	Galloway et al.	
6,994,637 B2	2/2006	Murphy et al.	7,318,782 B2	1/2008	Imamoto et al.	
6,997,820 B2	2/2006	Willett et al.	7,320,646 B2	1/2008	Galloway et al.	
7,004,849 B2	2/2006	Cameron	D561,286 S	2/2008	Morales et al.	
7,004,852 B2	2/2006	Billings	7,338,387 B2	3/2008	Nycum et al.	
D518,129 S	3/2006	Poynor et al.	7,338,388 B2	3/2008	Schweigert et al.	
7,022,028 B2	4/2006	Nagai et al.	7,344,452 B2	3/2008	Imamoto et al.	
7,025,692 B2	4/2006	Erickson et al.	7,347,795 B2	3/2008	Yamgishi et al.	
7,029,403 B2	4/2006	Rice et al.	D567,317 S	4/2008	Jertson et al.	
D520,585 S	5/2006	Hasebe	7,354,355 B2	4/2008	Tavares et al.	
D523,104 S	6/2006	Hasebe	7,377,860 B2	5/2008	Breier et al.	
7,070,512 B2	7/2006	Nishio	7,387,577 B2	6/2008	Murphy et al.	
7,070,517 B2	7/2006	Cackett et al.	7,390,266 B2	6/2008	Gwon	
7,077,762 B2	7/2006	Kouno et al.	7,396,293 B2	7/2008	Soracco	
7,082,665 B2	8/2006	Deshmukh et al.	7,396,296 B2	7/2008	Evans et al.	
7,083,531 B2	8/2006	Aguinaldo et al.	7,402,112 B2	7/2008	Galloway et al.	
7,094,159 B2	8/2006	Takeda	7,407,447 B2	8/2008	Beach et al.	
7,097,572 B2	8/2006	Yabu	7,407,448 B2	8/2008	Stevens et al.	
7,101,289 B2 *	9/2006	Gibbs	7,413,520 B1	8/2008	Hocknell et al.	
			D577,090 S	9/2008	Pergande et al.	
			7,419,441 B2	9/2008	Hoffman et al.	
			D579,507 S	10/2008	Llewellyn et al.	
			7,431,667 B2	10/2008	Vincent et al.	
7,112,148 B2	9/2006	Deshmukh	7,438,647 B1	10/2008	Hocknell	
7,118,493 B2	10/2006	Galloway	7,438,649 B2	10/2008	Ezaki et al.	
7,121,957 B2	10/2006	Hocknell et al.	7,448,963 B2	11/2008	Beach et al.	
7,125,344 B2	10/2006	Hocknell et al.	7,455,598 B2	11/2008	Williams et al.	
7,128,661 B2	10/2006	Soracco et al.	7,470,201 B2	12/2008	Nakahara et al.	
D532,474 S	11/2006	Bennett et al.	D584,784 S	1/2009	Barez et al.	
7,134,971 B2	11/2006	Franklin et al.	7,476,161 B2	1/2009	Williams et al.	
7,137,905 B2	11/2006	Kohno	7,491,134 B2	2/2009	Murphy et al.	
7,137,906 B2	11/2006	Tsunoda et al.	D588,223 S	3/2009	Kuan	
7,137,907 B2	11/2006	Gibbs et al.	7,497,787 B2	3/2009	Murphy et al.	
7,140,974 B2	11/2006	Chao et al.	7,500,924 B2	3/2009	Yokota	
7,144,334 B2	12/2006	Ehlers et al.	7,520,820 B2	4/2009	Dimarco	
7,147,572 B2	12/2006	Kohno	D592,723 S	5/2009	Chau et al.	
7,147,573 B2	12/2006	Dimarco	7,530,901 B2	5/2009	Imamoto et al.	
7,153,220 B2	12/2006	Lo	7,530,904 B2	5/2009	Beach et al.	
7,156,750 B2	1/2007	Nishitani et al.	7,540,811 B2	6/2009	Beach et al.	
7,163,468 B2	1/2007	Gibbs et al.	7,549,933 B2	6/2009	Kumamoto	
7,163,470 B2	1/2007	Galloway et al.	7,549,935 B2	6/2009	Foster et al.	
7,166,038 B2	1/2007	Williams et al.	7,563,175 B2	7/2009	Nishitani et al.	
7,166,040 B2	1/2007	Hoffman et al.	7,568,985 B2	8/2009	Beach et al.	
7,166,041 B2	1/2007	Evans	7,572,193 B2	8/2009	Yokota	
7,169,058 B1	1/2007	Fagan	7,578,751 B2	8/2009	Williams et al.	
7,169,060 B2	1/2007	Stevens et al.	7,578,753 B2	8/2009	Beach et al.	
D536,402 S	2/2007	Kawami	D600,767 S	9/2009	Horacek et al.	
7,179,034 B2	2/2007	Ladouceur	7,582,024 B2 *	9/2009	Shear	A63B 53/0466 473/329
D538,866 S	3/2007	Kim et al.	7,591,737 B2	9/2009	Gibbs et al.	
7,186,190 B1	3/2007	Beach et al.	7,591,738 B2	9/2009	Beach et al.	
7,189,169 B2	3/2007	Billings	D604,784 S	11/2009	Horacek et al.	
7,198,575 B2	4/2007	Beach et al.	7,621,823 B2	11/2009	Beach et al.	
7,201,669 B2	4/2007	Stites et al.	7,628,707 B2	12/2009	Beach et al.	
D543,600 S	5/2007	Oldknow	7,632,194 B2	12/2009	Beach et al.	
7,211,005 B2	5/2007	Lindsay	7,632,196 B2 *	12/2009	Reed	A63B 53/0466 473/345
7,211,006 B2 *	5/2007	Chang	D608,850 S	1/2010	Oldknow	
			D609,294 S	2/2010	Oldknow	
7,214,143 B2	5/2007	Deshmukh	D609,295 S	2/2010	Oldknow	
7,223,180 B2	5/2007	Willett et al.	D609,296 S	2/2010	Oldknow	
D544,939 S	6/2007	Radcliffe et al.	D609,763 S	2/2010	Oldknow	
7,226,366 B2	6/2007	Galloway	D609,764 S	2/2010	Oldknow	
7,250,007 B2	7/2007	Lu	D611,555 S	3/2010	Oldknow	
7,252,600 B2	8/2007	Murphy et al.	D612,004 S	3/2010	Oldknow	
7,255,654 B2	8/2007	Murphy et al.	D612,005 S	3/2010	Oldknow	
7,258,626 B2	8/2007	Gibbs et al.				
7,258,631 B2	8/2007	Galloway et al.				

(56)

References Cited

U.S. PATENT DOCUMENTS

			8,900,069 B2	12/2014	Beach et al.
			8,956,240 B2	2/2015	Beach et al.
			8,956,242 B2 *	2/2015	Rice A63B 53/04 473/329
D612,440 S	3/2010	Oldknow	9,011,267 B2 *	4/2015	Burnett A63B 53/0466 473/329
7,674,187 B2	3/2010	Cackett et al.			
7,674,189 B2	3/2010	Beach et al.	9,089,749 B2	7/2015	Burnett et al.
7,682,264 B2	3/2010	Hsu et al.	9,101,808 B2 *	8/2015	Stites A63B 53/0466
7,717,807 B2	5/2010	Evans et al.	9,168,428 B2	10/2015	Albertsen et al.
D616,952 S	6/2010	Oldknow	9,168,434 B2 *	10/2015	Burnett A63B 60/52
7,731,603 B2	6/2010	Beach et al.	9,174,101 B2	11/2015	Burnett et al.
7,744,484 B1	6/2010	Chao	9,265,993 B2	2/2016	Albertsen et al.
7,749,096 B2	7/2010	Gibbs et al.	9,403,069 B2	8/2016	Boyd et al.
7,749,097 B2	7/2010	Foster et al.	9,566,479 B2	2/2017	Albertsen et al.
7,753,806 B2	7/2010	Beach et al.	9,610,482 B2 *	4/2017	Burnett A63B 53/0466
7,771,291 B1	8/2010	Willett et al.	9,610,483 B2 *	4/2017	Burnett A63B 53/0466
7,789,773 B2	9/2010	Rae et al.	9,694,255 B2 *	7/2017	Oldknow A63B 60/00
7,815,520 B2	10/2010	Frame et al.	9,950,222 B2	4/2018	Albertsen
7,857,711 B2 *	12/2010	Shear A63B 60/52 473/329	9,950,223 B2 *	4/2018	Burnett A63B 60/52
			9,956,460 B2	5/2018	Burnett et al.
7,857,713 B2	12/2010	Yokota	10,065,090 B2	9/2018	Guerrette et al.
D631,119 S	1/2011	Albertsen et al.	10,245,485 B2 *	4/2019	Burnett A63B 60/52
7,867,105 B2	1/2011	Moon	10,300,350 B2	5/2019	Albertsen
7,887,434 B2	2/2011	Beach et al.	10,369,429 B2	8/2019	Burnett et al.
7,922,604 B2	4/2011	Roach et al.	10,406,414 B2 *	9/2019	Galvan A63B 60/52
7,927,229 B2	4/2011	Jertson et al.	10,556,160 B2 *	2/2020	Burnett A63B 53/0466
7,946,931 B2	5/2011	Oyama	2001/0049310 A1	12/2001	Cheng et al.
7,988,565 B2	8/2011	Abe	2002/0022535 A1	2/2002	Takeda
8,012,038 B1	9/2011	Beach et al.	2002/0025861 A1	2/2002	Ezawa
8,012,039 B2	9/2011	Greaney et al.	2002/0032075 A1	3/2002	Vatsvog
8,047,931 B2	11/2011	Yokota	2002/0055396 A1	5/2002	Nishimoto et al.
8,083,609 B2 *	12/2011	Burnett A63B 53/0466 473/327	2002/0072434 A1	6/2002	Yabu
			2002/0077195 A1	6/2002	Carr et al.
8,088,021 B2 *	1/2012	Albertsen A63B 53/0466 473/327	2002/0115501 A1	8/2002	Chen
			2002/0123394 A1	9/2002	Tsurumaki
8,096,897 B2	1/2012	Beach et al.	2002/0137576 A1	9/2002	Dammen
8,118,689 B2	2/2012	Beach et al.	2002/0160854 A1	10/2002	Beach et al.
8,157,672 B2	4/2012	Greaney et al.	2002/0183130 A1	12/2002	Pacinella
8,162,775 B2	4/2012	Tavares et al.	2002/0183134 A1	12/2002	Allen et al.
8,167,737 B2	5/2012	Oyama	2003/0013545 A1	1/2003	Vincent et al.
8,187,119 B2	5/2012	Rae et al.	2003/0032500 A1	2/2003	Nakahara et al.
8,206,241 B2	6/2012	Boyd et al.	2003/0036442 A1	2/2003	Chao et al.
8,206,244 B2	6/2012	Honea et al.	2003/0130059 A1	7/2003	Billings
8,216,087 B2	7/2012	Breier et al.	2003/0176238 A1	9/2003	Galloway et al.
8,235,841 B2	8/2012	Stites et al.	2003/0220154 A1	11/2003	Anelli
8,235,844 B2 *	8/2012	Albertsen A63B 53/04 473/345	2004/0087388 A1	5/2004	Beach et al.
			2004/0121852 A1	6/2004	Tsurumaki
8,241,143 B2 *	8/2012	Albertsen A63B 53/0466 473/345	2004/0157678 A1	8/2004	Kohno
			2004/0176180 A1	9/2004	Yamaguchi et al.
8,241,144 B2 *	8/2012	Albertsen A63B 53/04 473/345	2004/0176183 A1	9/2004	Tsurumaki
			2004/0192463 A1	9/2004	Tsurumaki et al.
8,292,756 B2	10/2012	Greaney et al.	2004/0235584 A1	11/2004	Chao et al.
8,328,659 B2	12/2012	Shear	2004/0242343 A1	12/2004	Chao et al.
8,353,786 B2	1/2013	Beach et al.	2005/0003905 A1	1/2005	Kim et al.
8,403,771 B1	3/2013	Rice et al.	2005/0026716 A1	2/2005	Wahl et al.
8,430,763 B2	4/2013	Beach et al.	2005/0049081 A1	3/2005	Boone
8,435,134 B2	5/2013	Tang et al.	2005/0101404 A1	5/2005	Long et al.
8,496,544 B2	7/2013	Curtis et al.	2005/0119070 A1	6/2005	Kumamoto
8,517,860 B2 *	8/2013	Albertsen A63B 53/047 473/329	2005/0137024 A1	6/2005	Stites et al.
			2005/0181884 A1	8/2005	Beach et al.
			2005/0239575 A1	10/2005	Chao et al.
8,529,368 B2	9/2013	Rice et al.	2005/0239576 A1	10/2005	Stites et al.
8,574,094 B2	11/2013	Nicolette et al.	2006/0009305 A1	1/2006	Lindsay
8,591,351 B2	11/2013	Albertsen et al.	2006/0035722 A1	2/2006	Beach et al.
8,616,999 B2	12/2013	Greaney et al.	2006/0052177 A1	3/2006	Nakahara et al.
8,641,555 B2	2/2014	Stites et al.	2006/0058112 A1	3/2006	Haralason et al.
8,663,029 B2	3/2014	Beach et al.	2006/0073910 A1	4/2006	Imamoto et al.
8,696,491 B1	4/2014	Myers	2006/0084525 A1	4/2006	Imamoto et al.
8,721,471 B2 *	5/2014	Albertsen A63B 53/047 473/328	2006/0094535 A1	5/2006	Cameron
			2006/0116218 A1	6/2006	Burnett et al.
8,727,909 B2	5/2014	Guerrette et al.	2006/0122004 A1	6/2006	Chen et al.
8,753,222 B2	6/2014	Beach et al.	2006/0154747 A1	7/2006	Beach
8,821,312 B2 *	9/2014	Burnett A63B 60/52 473/329	2006/0172821 A1	8/2006	Evans et al.
			2006/0240908 A1	10/2006	Adams et al.
8,827,831 B2 *	9/2014	Burnett A63B 60/00 473/329	2006/0281581 A1	12/2006	Yamamoto
			2007/0026961 A1	2/2007	Hou
8,834,289 B2 *	9/2014	de la Cruz A63B 60/52 473/329	2007/0049416 A1	3/2007	Shear
			2007/0049417 A1	3/2007	Shear
8,858,360 B2	10/2014	Rice et al.	2007/0082751 A1	4/2007	Lo et al.

(56)

References Cited

U.S. PATENT DOCUMENTS

2007/0099726	A1	5/2007	Rife
2007/0105646	A1	5/2007	Beach et al.
2007/0105647	A1	5/2007	Beach et al.
2007/0105648	A1	5/2007	Beach et al.
2007/0105649	A1	5/2007	Beach et al.
2007/0105650	A1	5/2007	Beach et al.
2007/0105651	A1	5/2007	Beach et al.
2007/0105652	A1	5/2007	Beach et al.
2007/0105653	A1	5/2007	Beach et al.
2007/0105654	A1	5/2007	Beach et al.
2007/0105655	A1	5/2007	Beach et al.
2007/0117648	A1	5/2007	Yokota
2007/0117652	A1	5/2007	Beach et al.
2007/0155534	A1	7/2007	Tsai et al.
2007/0238551	A1	10/2007	Yokota
2007/0275792	A1	11/2007	Horacek et al.
2007/0281796	A1	12/2007	Gilbert et al.
2008/0146370	A1	6/2008	Beach et al.
2008/0161127	A1	7/2008	Yamamoto
2008/0171612	A1	7/2008	Serrano et al.
2008/0182681	A1	7/2008	Yokota
2008/0254911	A1	10/2008	Beach et al.
2008/0261715	A1	10/2008	Carter
2008/0261717	A1	10/2008	Hoffman et al.
2008/0268980	A1	10/2008	Breier et al.
2008/0268981	A1	10/2008	Evans
2008/0280698	A1	11/2008	Hoffman et al.
2009/0069114	A1	3/2009	Foster et al.
2009/0082135	A1	3/2009	Evans et al.
2009/0088269	A1	4/2009	Beach et al.
2009/0088271	A1	4/2009	Beach et al.
2009/0137338	A1	5/2009	Kajita
2009/0170632	A1	7/2009	Beach et al.
2009/0181789	A1	7/2009	Reed et al.
2009/0286622	A1	11/2009	Yokota
2010/0029404	A1	2/2010	Shear
2010/0048316	A1	2/2010	Honea et al.
2010/0048321	A1	2/2010	Beach et al.
2010/0113176	A1	5/2010	Boyd et al.
2010/0178997	A1	7/2010	Gibbs et al.
2011/0021284	A1	1/2011	Stites et al.
2011/0151989	A1	6/2011	Golden et al.
2011/0151997	A1	6/2011	Shear
2011/0218053	A1	9/2011	Tang et al.
2011/0244979	A1	10/2011	Snyder
2011/0281663	A1	11/2011	Stites et al.
2011/0281664	A1	11/2011	Boyd et al.
2011/0294599	A1	12/2011	Albertsen et al.
2012/0034997	A1	2/2012	Swartz
2012/0083362	A1	4/2012	Albertsen et al.
2012/0083363	A1	4/2012	Albertsen et al.
2012/0135821	A1	5/2012	Boyd et al.
2012/0142447	A1	6/2012	Boyd et al.
2012/0142452	A1	6/2012	Burnett et al.
2012/0178548	A1	7/2012	Tavares et al.
2012/0196701	A1	8/2012	Stites et al.
2012/0196703	A1	8/2012	Sander
2012/0244960	A1	9/2012	Tang et al.
2012/0270676	A1	10/2012	Burnett et al.
2012/0277029	A1	11/2012	Albertsen et al.
2012/0277030	A1	11/2012	Albertsen et al.
2012/0289361	A1	11/2012	Beach et al.
2013/0184100	A1	7/2013	Burnett et al.
2013/0210542	A1	8/2013	Harbert et al.
2014/0148270	A1	5/2014	Oldknow
2015/0105177	A1	4/2015	Beach et al.
2015/0231453	A1	8/2015	Harbert et al.

FOREIGN PATENT DOCUMENTS

CN	103877712	6/2014
CN	104168965	11/2014
DE	9012884	9/1990
EP	0470488	2/1992
EP	0617987	11/1997

EP	1001175	5/2000
FR	2712197	5/1995
GB	194823	12/1921
GB	2268412	1/1994
JP	57-157374	10/1982
JP	01091876	A2 4/1989
JP	03049777	A 3/1991
JP	03151988	A 6/1991
JP	04180778	A 6/1992
JP	4180778	A2 6/1992
JP	04212387	8/1992
JP	04241884	8/1992
JP	05329232	12/1993
JP	05337220	A 12/1993
JP	05337221	12/1993
JP	H05317465	12/1993
JP	H06121851	5/1994
JP	H06126004	5/1994
JP	06154368	6/1994
JP	06182004	A 7/1994
JP	06190088	7/1994
JP	H06190088	7/1994
JP	H06238022	8/1994
JP	06285186	A 10/1994
JP	06296715	10/1994
JP	06296716	10/1994
JP	H06304271	11/1994
JP	06335541	12/1994
JP	07185049	7/1995
JP	08117365	A 5/1996
JP	H09028844	2/1997
JP	3035480	3/1997
JP	09327534	12/1997
JP	H09308717	12/1997
JP	H09327534	12/1997
JP	10155943	A 6/1998
JP	H10192453	7/1998
JP	H10234902	9/1998
JP	10263118	A 10/1998
JP	H10277187	10/1998
JP	H11114102	4/1999
JP	11-155982	6/1999
JP	11151325	6/1999
JP	2000167089	A 6/2000
JP	2000288131	A 10/2000
JP	2000296192	10/2000
JP	2000300701	A 10/2000
JP	2000342721	A 12/2000
JP	2000014841	A 1/2001
JP	2001054595	2/2001
JP	2001129130	5/2001
JP	2001170225	6/2001
JP	2001204856	7/2001
JP	2001204863	7/2001
JP	2001231888	A 8/2001
JP	2001231896	8/2001
JP	2001321473	11/2001
JP	2001346918	12/2001
JP	2002003969	1/2002
JP	2002017910	1/2002
JP	2002052099	2/2002
JP	2002052099	A * 2/2002
JP	2002052100	2/2002
JP	2002136625	5/2002
JP	2002248183	A 9/2002
JP	2002248183	A 9/2002
JP	2002253706	9/2002
JP	2003024481	A 1/2003
JP	2003038691	2/2003
JP	2003052866	2/2003
JP	2003062135	3/2003
JP	2003093554	4/2003
JP	2003093554	A * 4/2003
JP	2003126311	5/2003
JP	2003154041	5/2003
JP	2003210621	7/2003
JP	2003210627	A 7/2003
JP	2003226952	8/2003
JP	2003236025	8/2003

..... A63B 60/54

(56)

References Cited

FOREIGN PATENT DOCUMENTS

JP	2003524487	8/2003	
JP	2003-265653	9/2003	
JP	2003265652	9/2003	
JP	2004008409	1/2004	
JP	2004113370	4/2004	
JP	2004141451	5/2004	
JP	2004174224	6/2004	
JP	2004174224	A *	6/2004 A63B 53/0466
JP	2004183058	7/2004	
JP	2004222911	8/2004	
JP	2004232397	8/2004	
JP	2004261451	9/2004	
JP	2004265992	9/2004	
JP	2004267438	9/2004	
JP	2004271516	9/2004	
JP	2004275700	10/2004	
JP	2004313762	11/2004	
JP	2004313762	A *	11/2004
JP	2004-351054	12/2004	
JP	2004351054	12/2004	
JP	2004351173	12/2004	
JP	2004351173	A *	12/2004
JP	2005013711	1/2005	
JP	2005021649	1/2005	
JP	2005028170	2/2005	
JP	2005073736	3/2005	
JP	2005111172	4/2005	
JP	2005137494	6/2005	
JP	2005137788	6/2005	
JP	2005137940	6/2005	
JP	2005193069	7/2005	
JP	2005193069	A *	7/2005
JP	2005296458	10/2005	
JP	2005296582	10/2005	
JP	2005319122	11/2005	
JP	2005323978	11/2005	
JP	2006212066	8/2006	
JP	3819409	9/2006	
JP	2006320493	11/2006	
JP	2007136069	6/2007	
JP	2007136069	A *	6/2007 A63B 60/52
JP	3996539	10/2007	
JP	2007275253	A	10/2007
JP	4046511	2/2008	
JP	4047682	2/2008	
JP	4128970	7/2008	
JP	2008279249	11/2008	
JP	2009000281	A	1/2009
JP	2009000292	1/2009	
JP	06269521	9/2009	
JP	2010029590	A	2/2010
JP	2010279847	A	12/2010
JP	2011024999	A	2/2011
JP	2012526634	11/2012	
JP	2013517893	5/2013	
JP	2013517894	5/2013	
JP	2013517895	5/2013	
JP	2013255779	12/2013	
JP	2013544178	12/2013	
JP	2013544179	12/2013	
JP	5404921	2/2014	
JP	2014140591	8/2014	
JP	2014528291	10/2014	
JP	5625048	B	11/2014
JP	5653457	1/2015	
JP	2015517886	6/2015	
JP	5827243	12/2015	
JP	2017012769	1/2017	
JP	6072696	2/2017	
JP	6096892	3/2017	
JP	2017080609	5/2017	
KR	100768417	8/2005	
KR	20050084089	8/2005	

KR	20070111156	11/2007
WO	WO8802642	4/1988
WO	WO0166199	9/2001
WO	WO02062501	8/2002
WO	WO03061773	7/2003
WO	WO2004043549	5/2004
WO	WO2005/009543	A2 2/2005
WO	WO2006044631	4/2006
WO	WO2011017011	2/2011
WO	WO2012075177	6/2012
WO	WO2012075178	6/2012
WO	WO2012103340	8/2012

OTHER PUBLICATIONS

Adams Golf Speedline F11 Ti 14.5 degree fairway wood (www.bombsquadgolf.com posted Oct. 18, 2010).

Callaway Golf, World's Straightest Driver: FT-i Driver downloaded from www.callawaygolf.com/ft%2Di/driver.aspx?lang=en on Apr. 5, 2007.

Jackson, Jeff, The Modern Guide to Golf Clubmaking, Ohio: Dynacraft Golf Products, Inc., copyright 1994, p. 237.

Nike Golf, Sasquatch 460, downloaded from www.nike.com/nikegolf/index.htm on Apr. 5, 2007.

Nike Golf, Sasquatch Sumo Squared Driver, downloaded from www.nike.com/nikegolf/index.htm on Apr. 5, 2007.

Office action from the U.S. Patent and Trademark office in the U.S. Appl. No. 12/781,727, dated Aug. 5, 2010.

Taylor Made Golf Company, Inc. Press Release, Burner Fairway Wood, www.tmag.com/media/pressreleases/2007/011807_burner_fairway_rescue.html, Jan. 26, 2007.

Taylor Made Golf Company Inc., R7 460 Drivers, downloaded from www.taylormadegolf.com/product_detail.asp?pID=14section=overview on Apr. 5, 2007.

Titleist 907D1, downloaded from www.tees2greens.com/forum/Uploads/Images/7ade3521-192b-4611-870b-395d.jpg on Feb. 1, 2007.

"Cleveland HiBore Driver Review," http://thesandtrip.com, 7 pages, May 19, 2006.

"Invalidity Search Report for Japanese Registered Patent No. 4128970," 4 pp (dated Nov. 29, 2013).

Office action from the U.S. Patent and Trademark Office in U.S. Appl. No. 13/401,690, dated Feb. 6, 2013.

Office action from the U.S. Patent and Trademark Office in U.S. Appl. No. 13/469,023, dated Jul. 31, 2012.

Office action from the U.S. Patent and Trademark Office in U.S. Appl. No. 13/338,197, dated Jun. 5, 2014.

Office action from the U.S. Patent and Trademark Office in U.S. Appl. No. 13/828,675, dated Jun. 30, 2014.

Restriction Requirement from the U.S. Patent and Trademark Office in U.S. Appl. No. 13/469,031, dated Jun. 5, 2014.

Mike Stachura, "The Hot List", Golf Digest Magazine, Feb. 2004, pp. 82-86.

Mike Stachura, "The Hot List", Golf Digest Magazine, Feb. 2005, pp. 120-130.

Mike Stachura, "The Hot List", Golf Digest Magazine, Feb. 2005, pp. 131-143.

Mike Stachura, "The Hot List", Golf Digest Magazine, Feb. 2006, pp. 122-132.

Mike Stachura, "The Hot List", Golf Digest Magazine, Feb. 2006, pp. 133-143.

Mike Stachura, "The Hot List", Golf Digest Magazine, Feb. 2007, pp. 130-151.

"The Hot List", Golf Digest Magazine, Feb. 2008, pp. 114-139.

Mike Stachura, Stina Sternberg, "Editor's Choices and Gold Medal Drivers", Golf Digest Magazine, Feb. 2010, pp. 95-109.

The Hot List, Golf Digest Magazine, Feb. 2009, pp. 101-127.

International Searching Authority (USPTO), International Search Report and Written Opinion for International Application No. PCT/US2011/038150, dated Sep. 16, 2011, 13 pages.

* cited by examiner

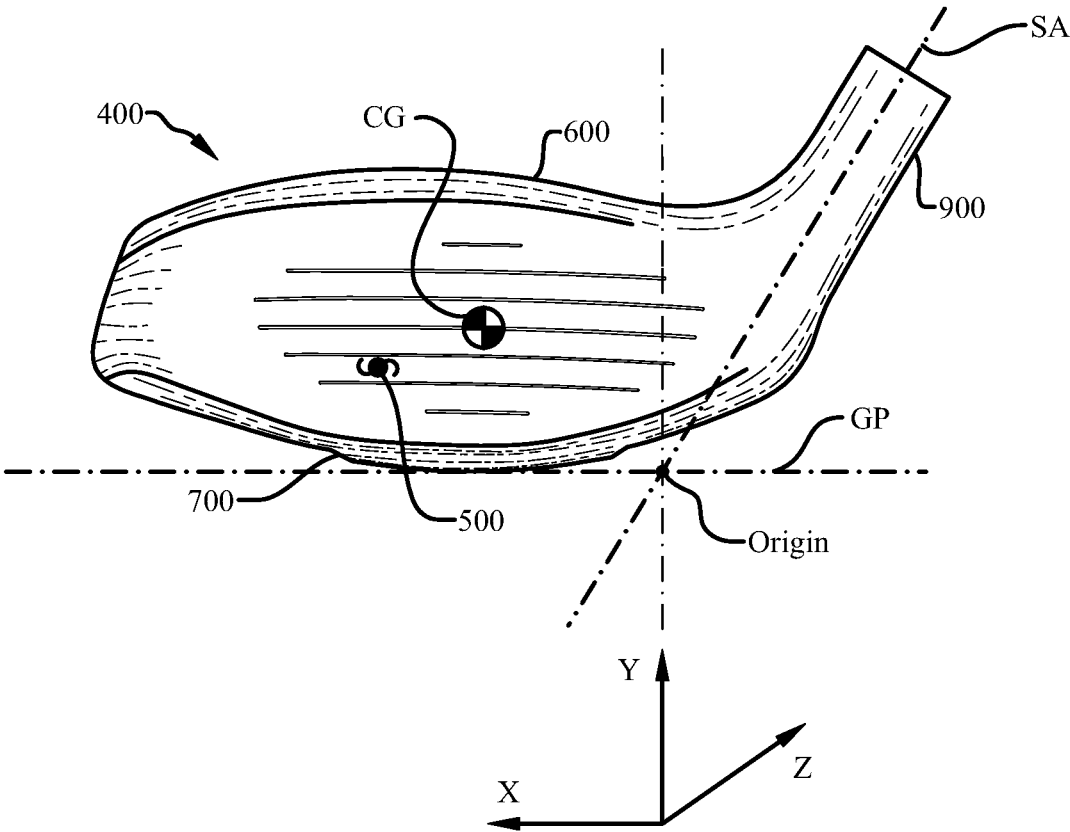


Fig. 1

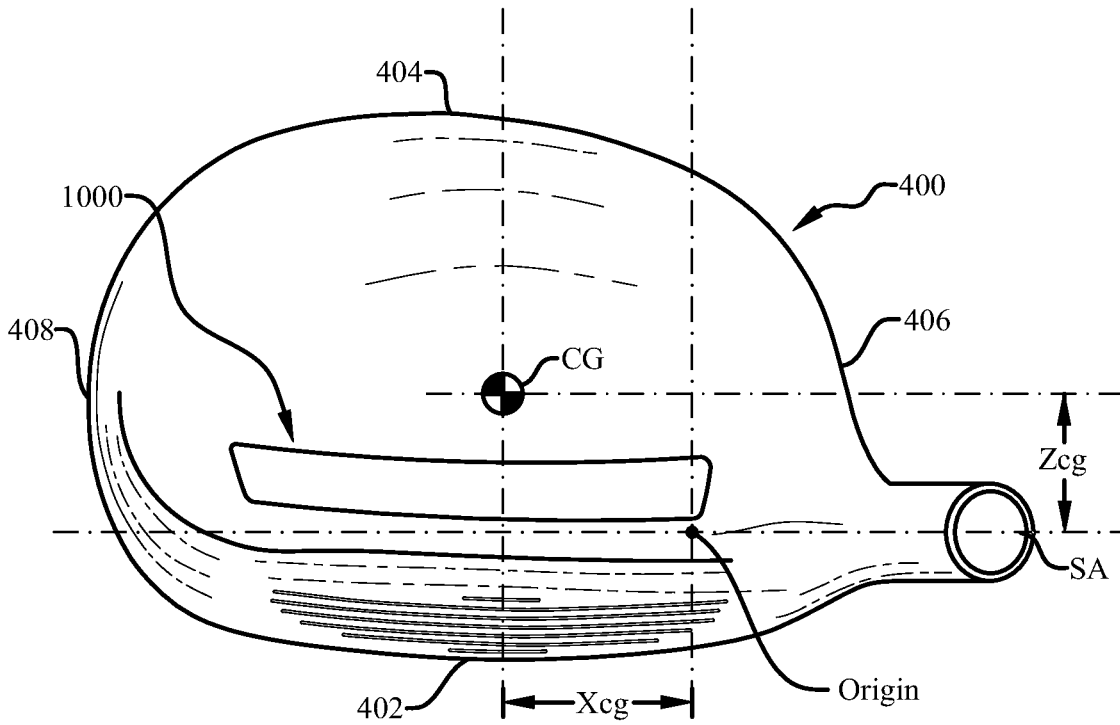


Fig. 2

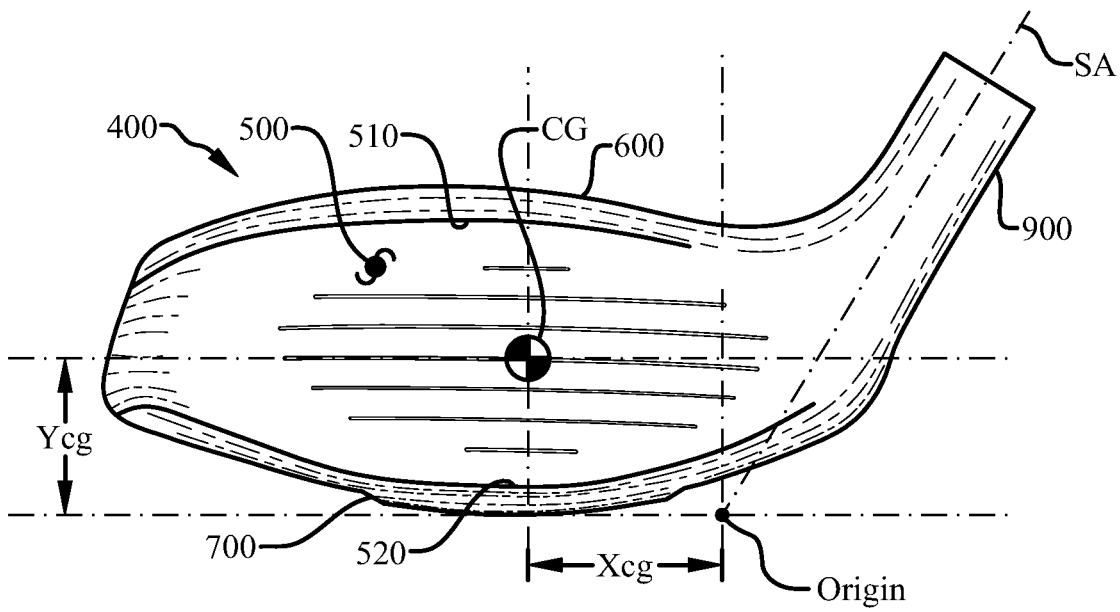


Fig. 3

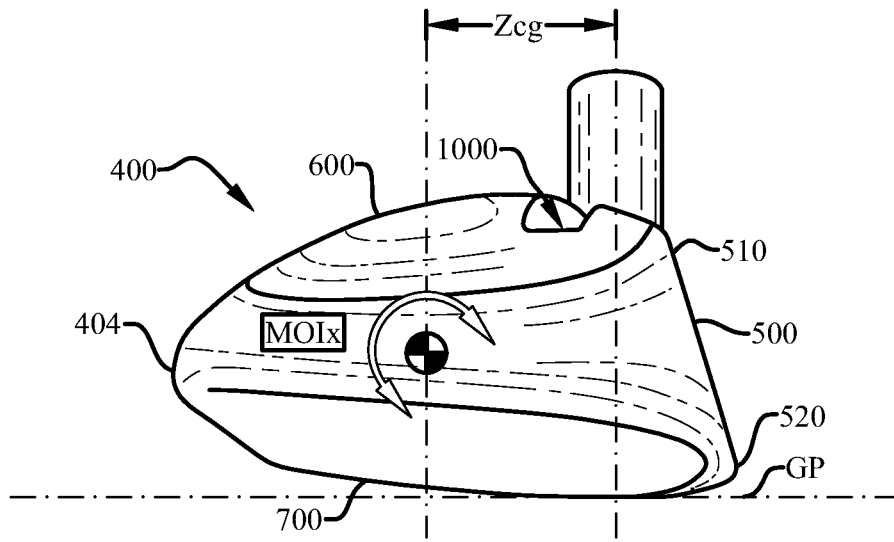


Fig. 4

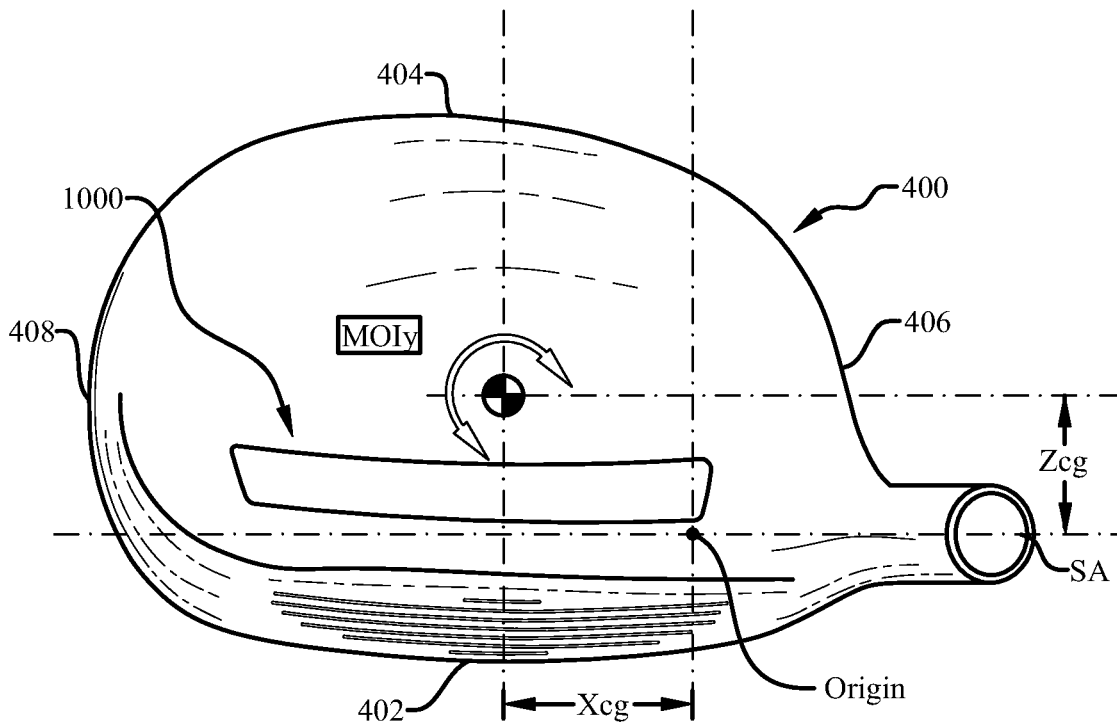


Fig. 5

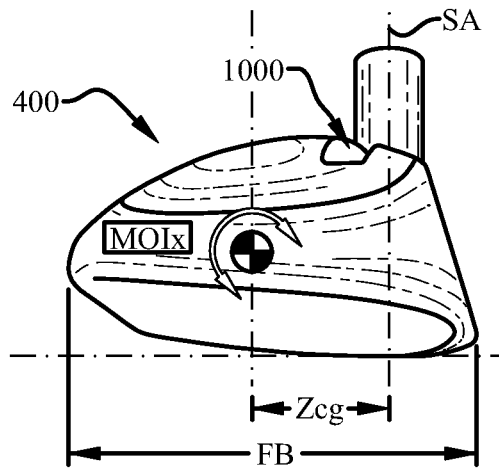


Fig. 6

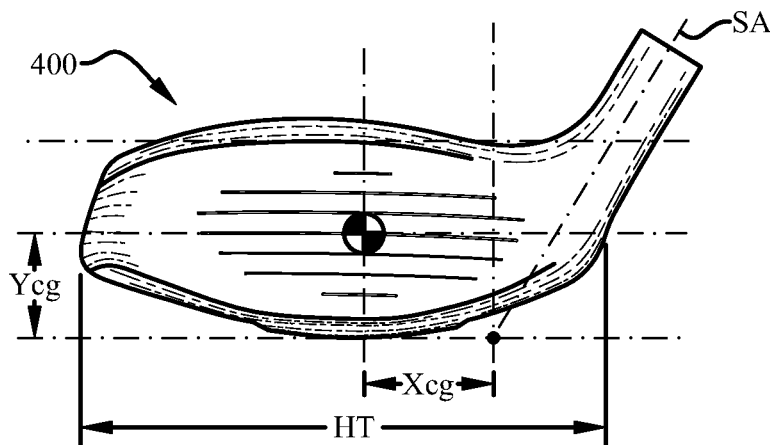


Fig. 7

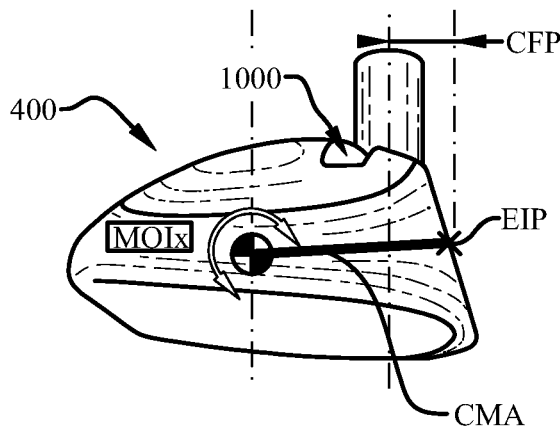


Fig. 8

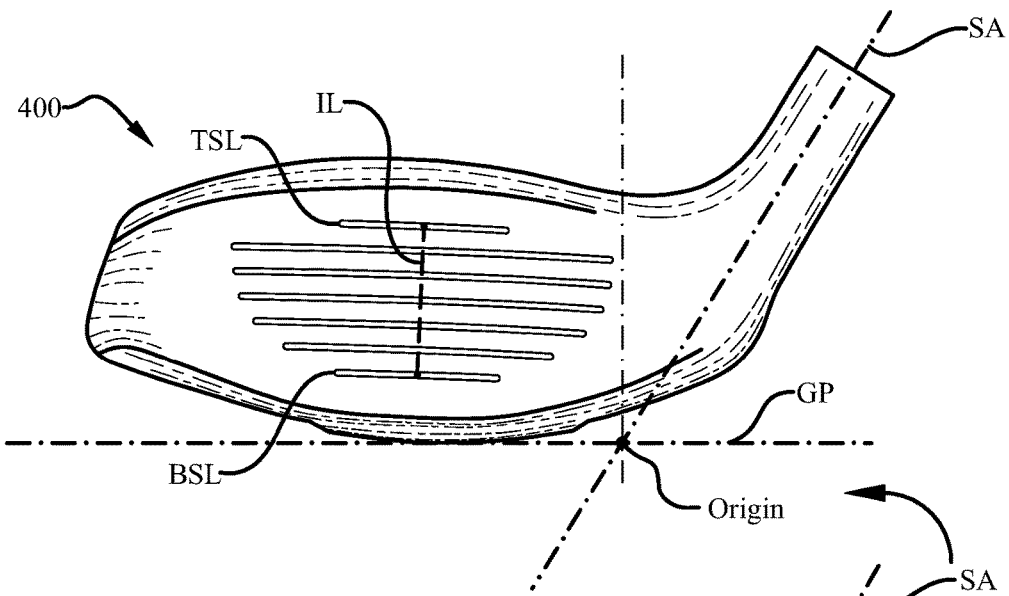


Fig. 9

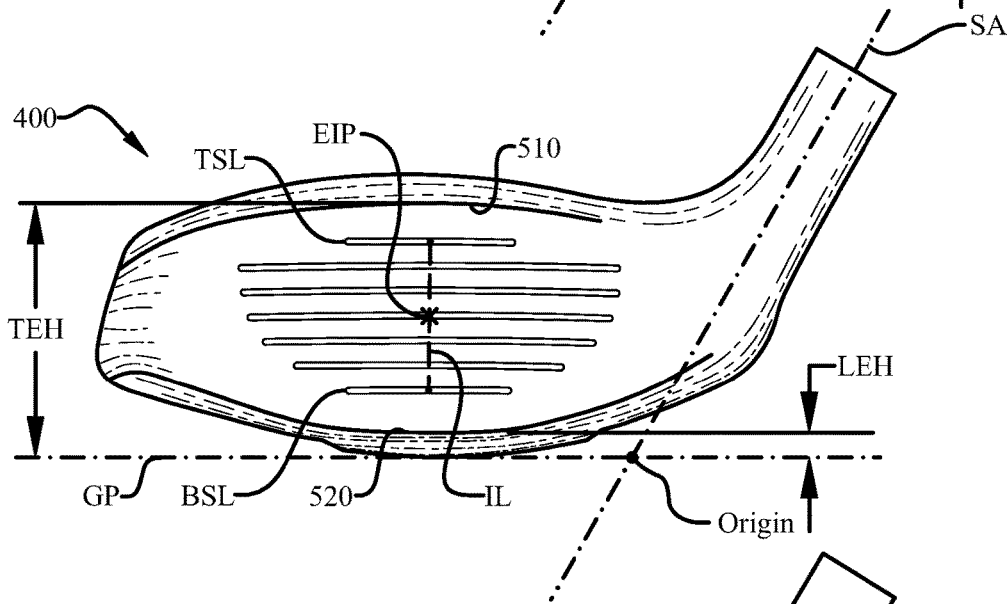


Fig. 10

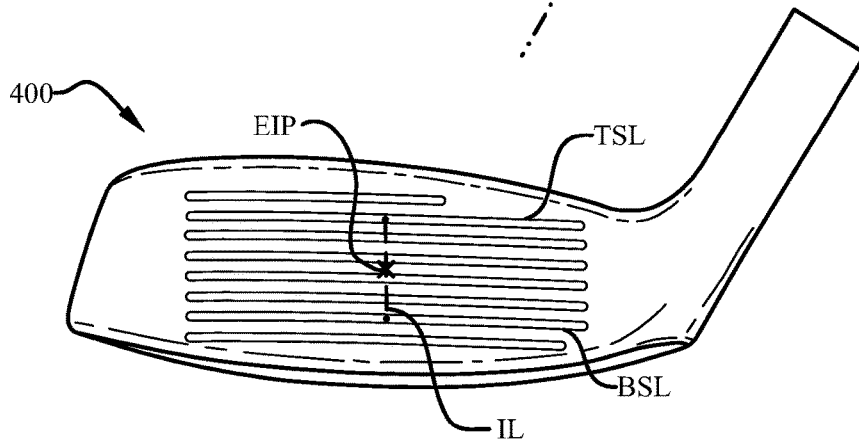


Fig. 11

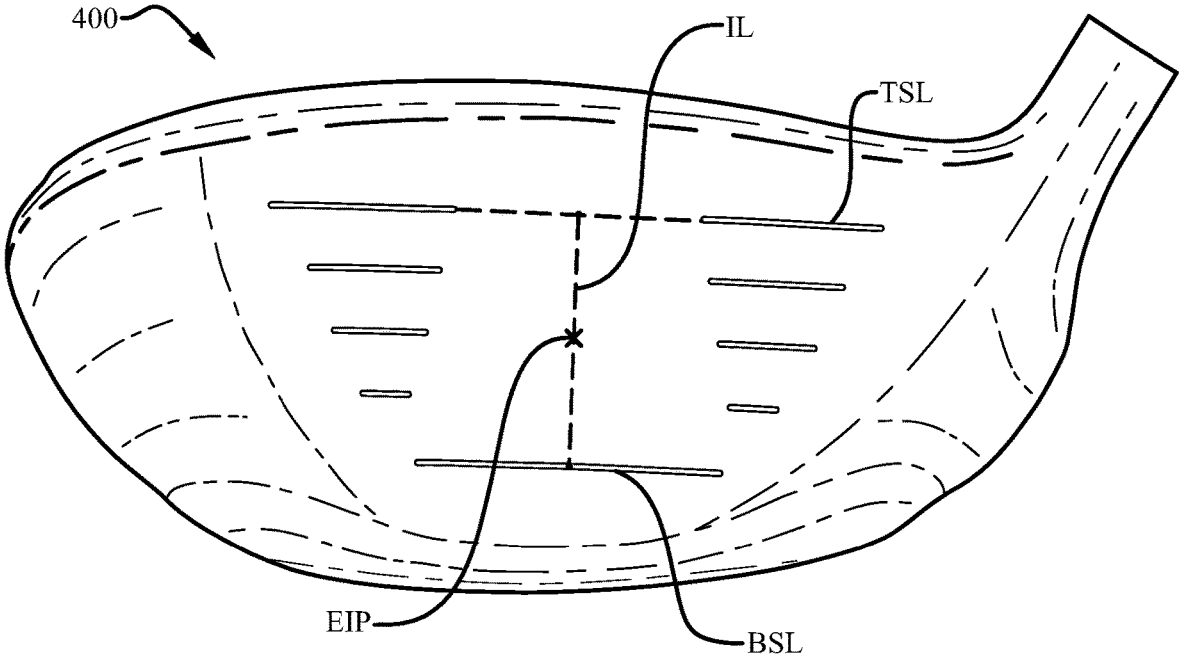
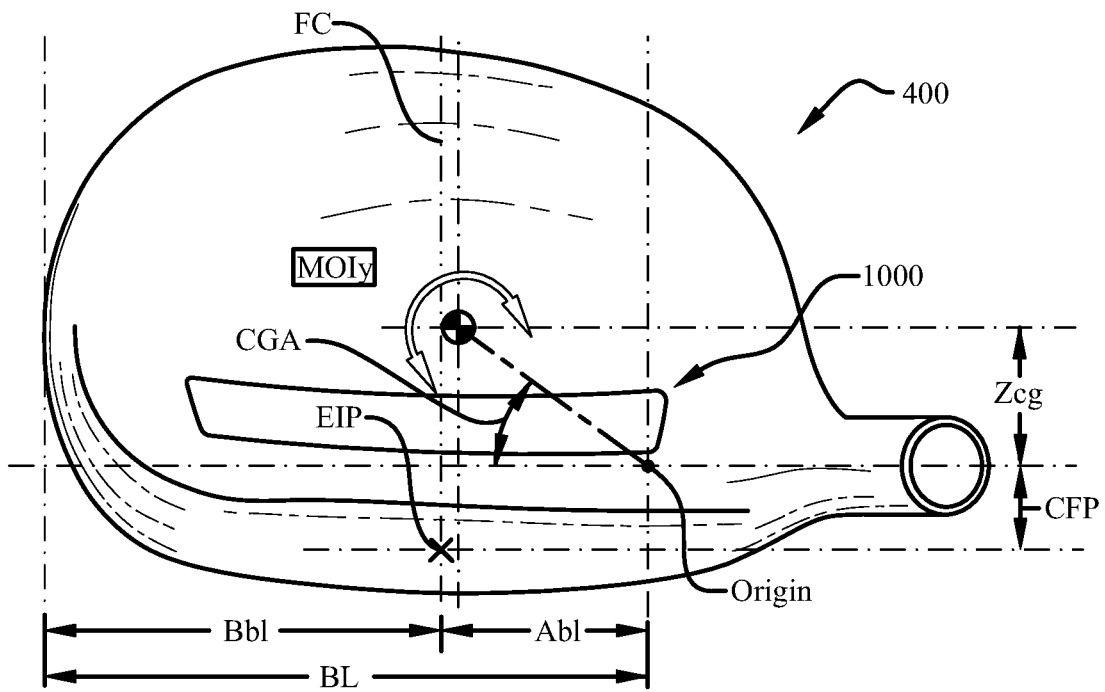
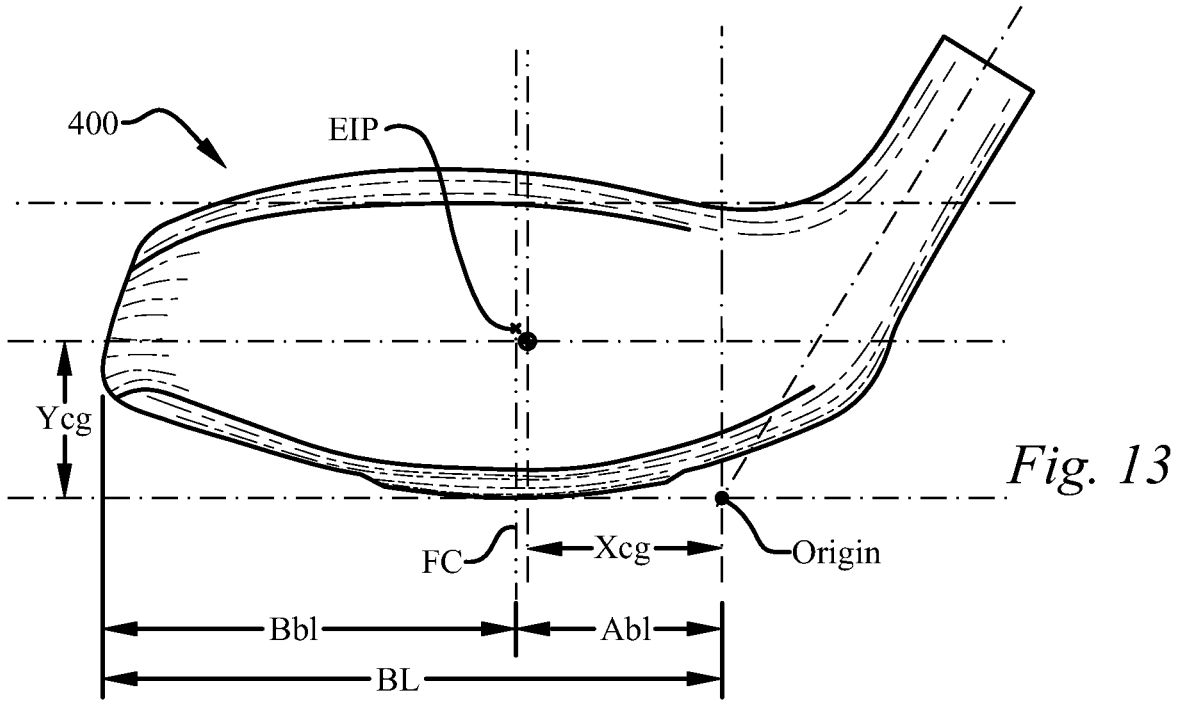


Fig. 12



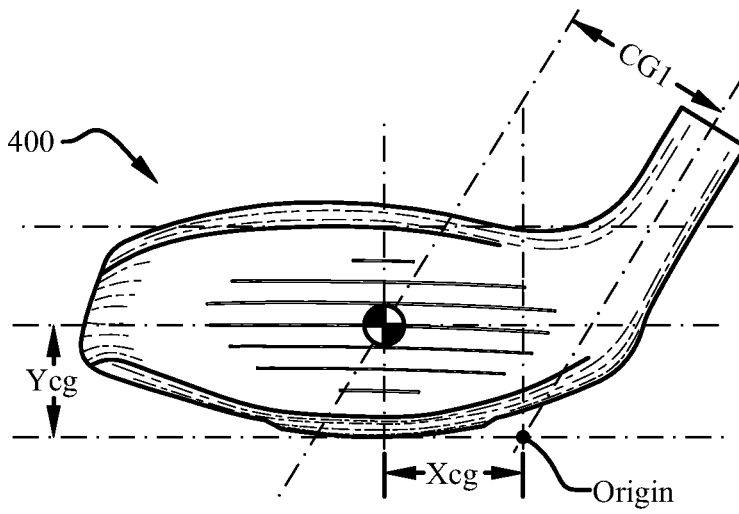


Fig. 15

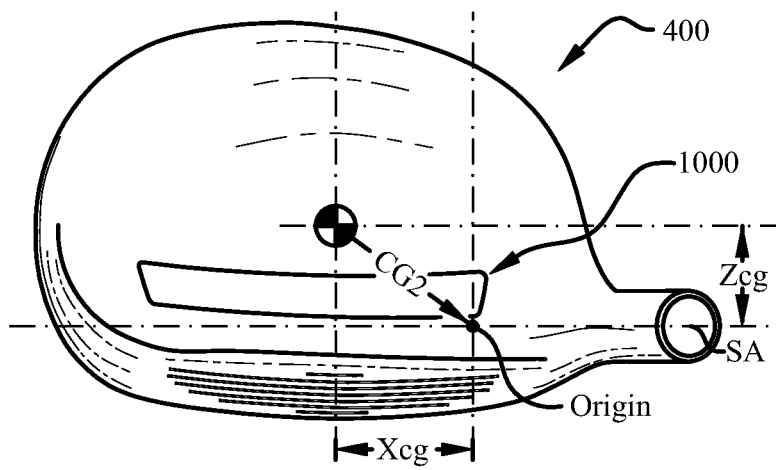


Fig. 16

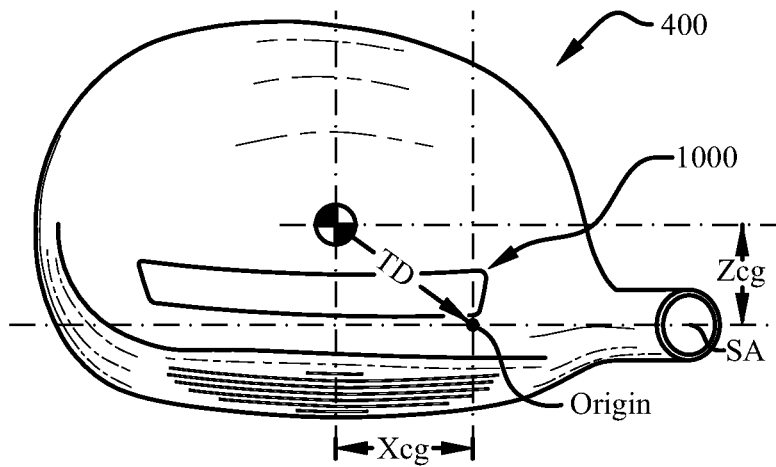


Fig. 17

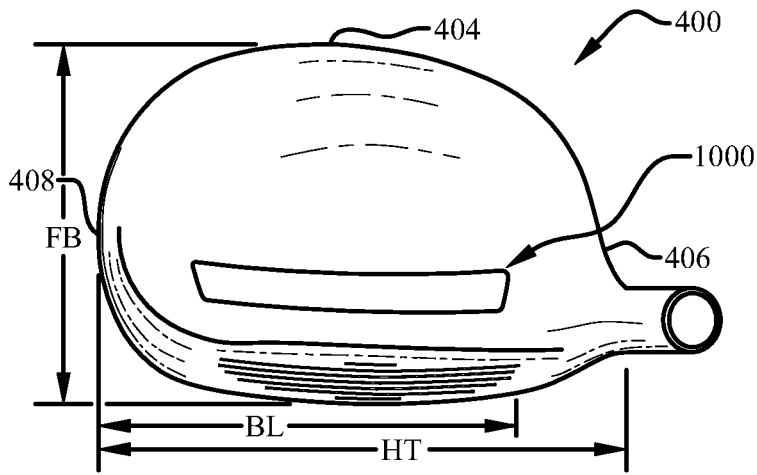


Fig. 18

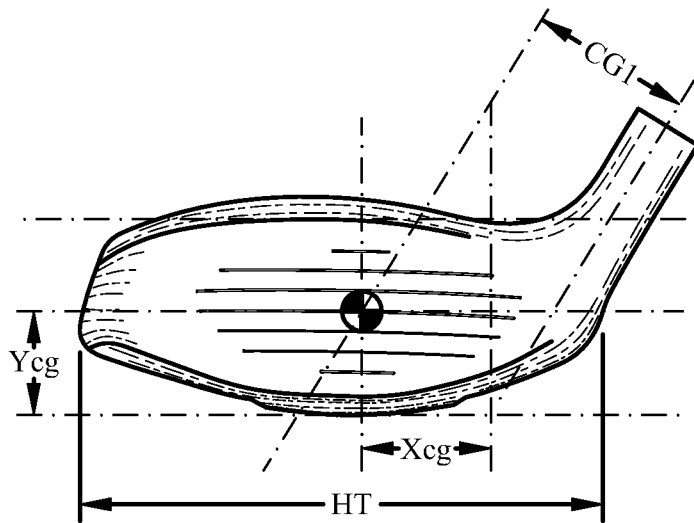


Fig. 19

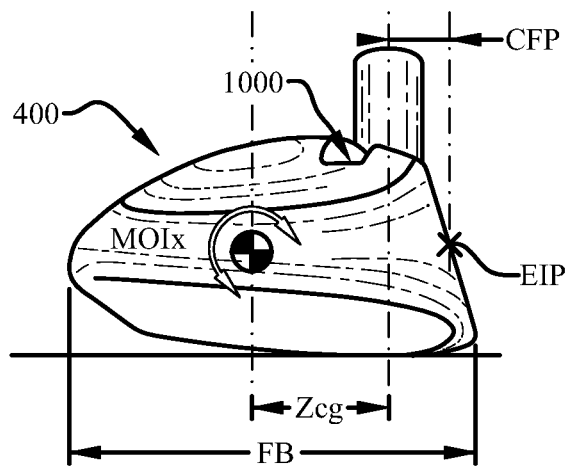


Fig. 20

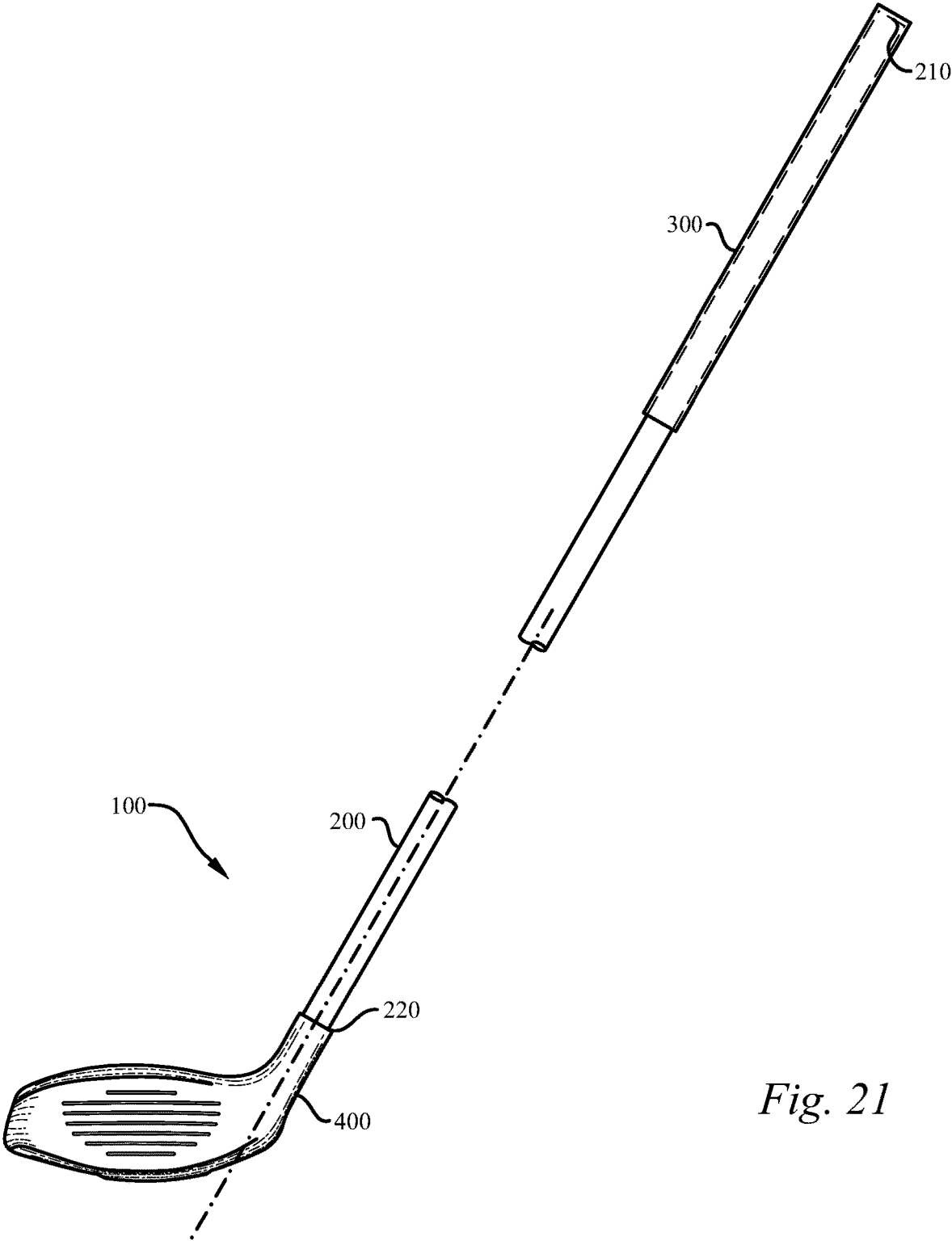
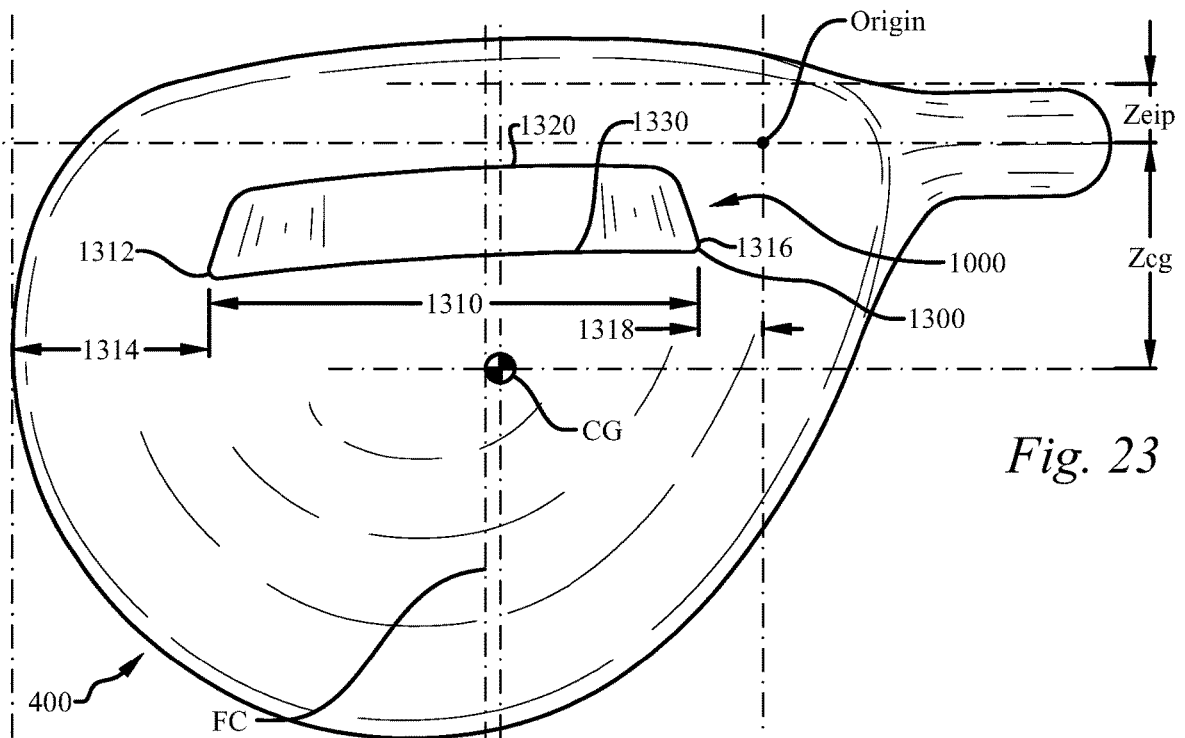
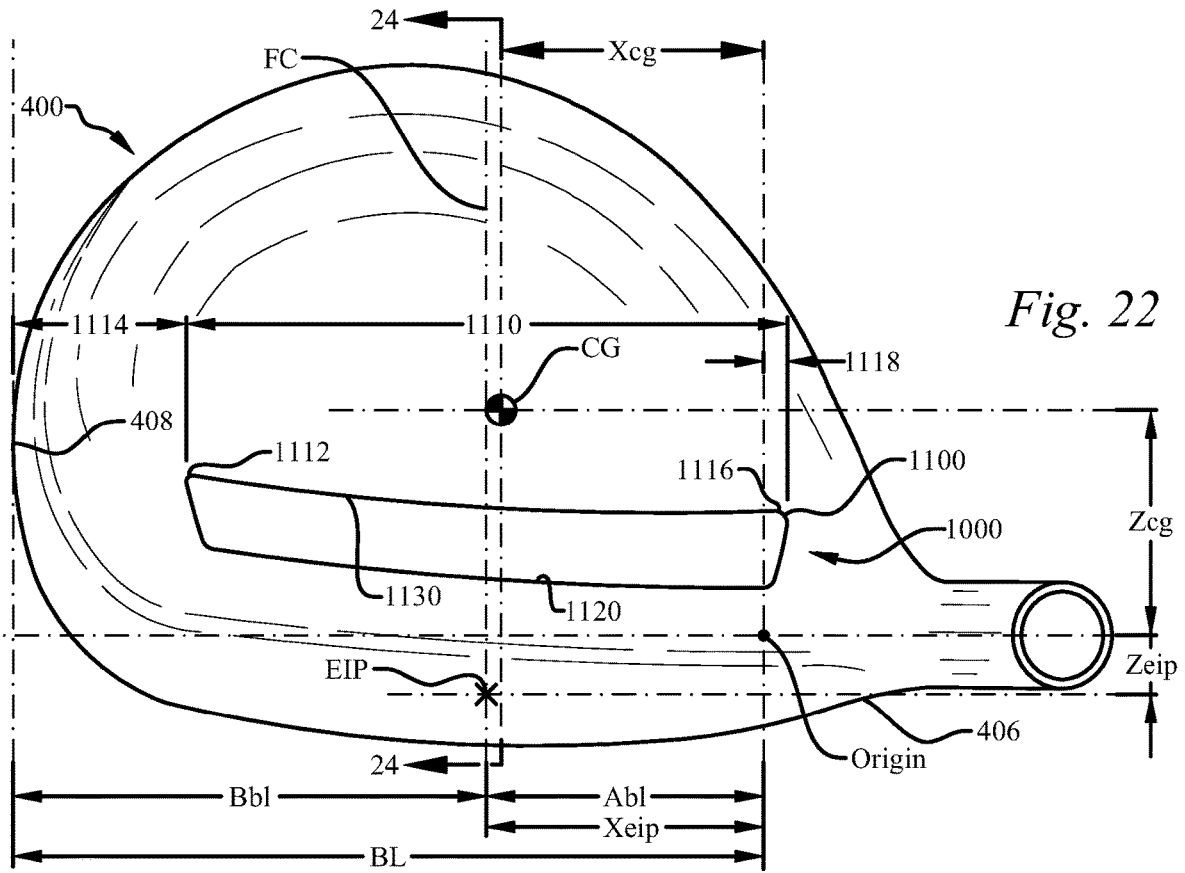


Fig. 21



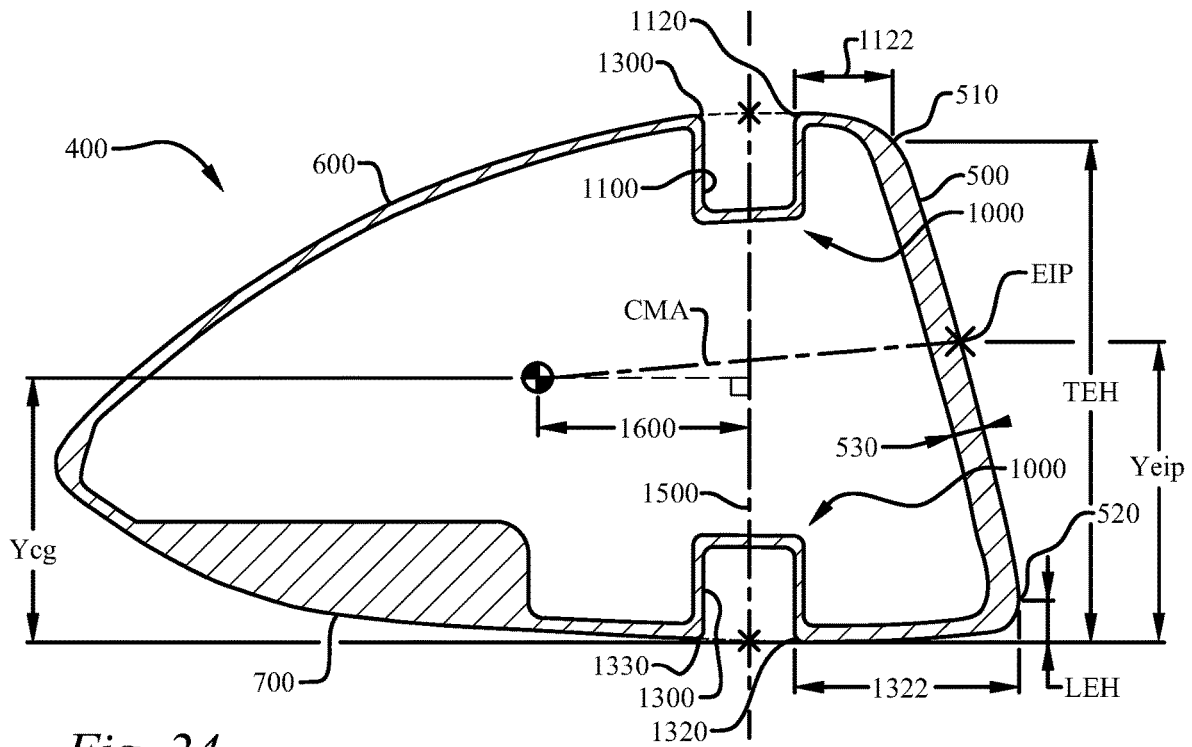


Fig. 24

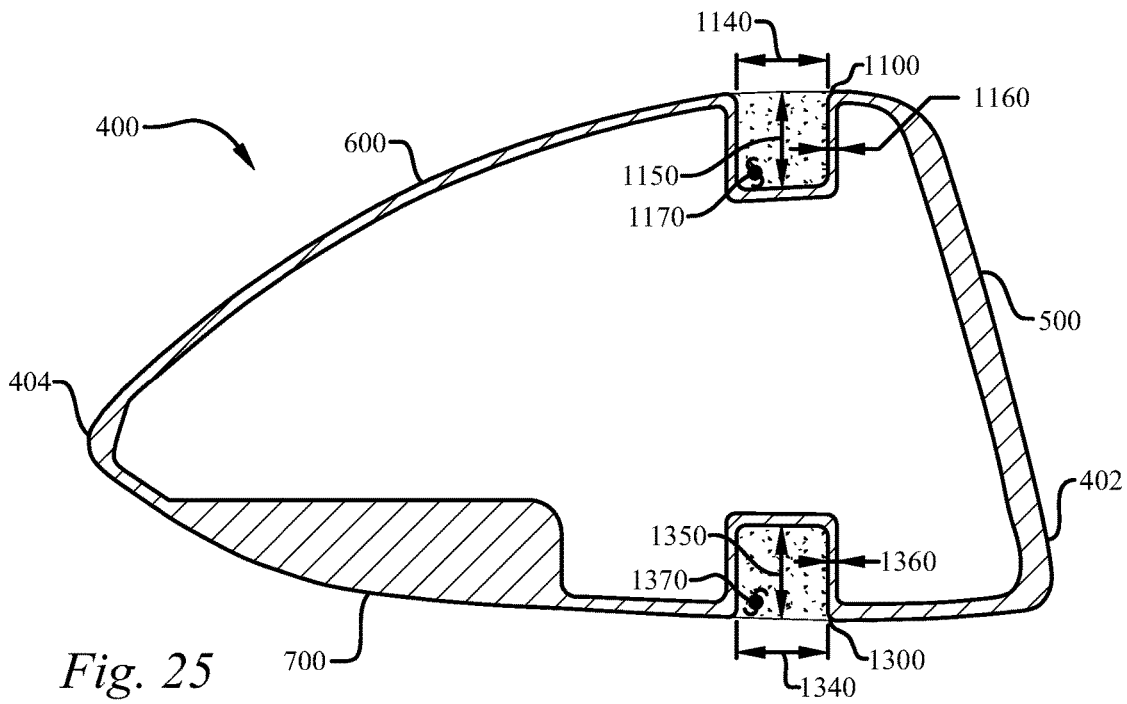


Fig. 25

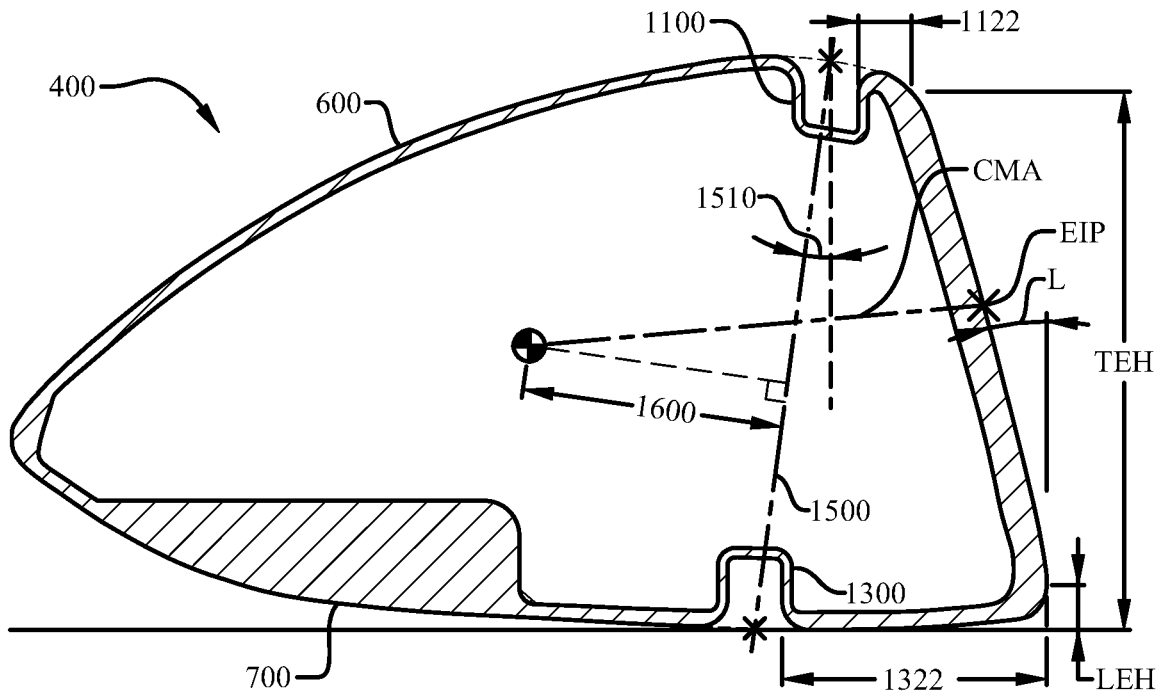


Fig. 26

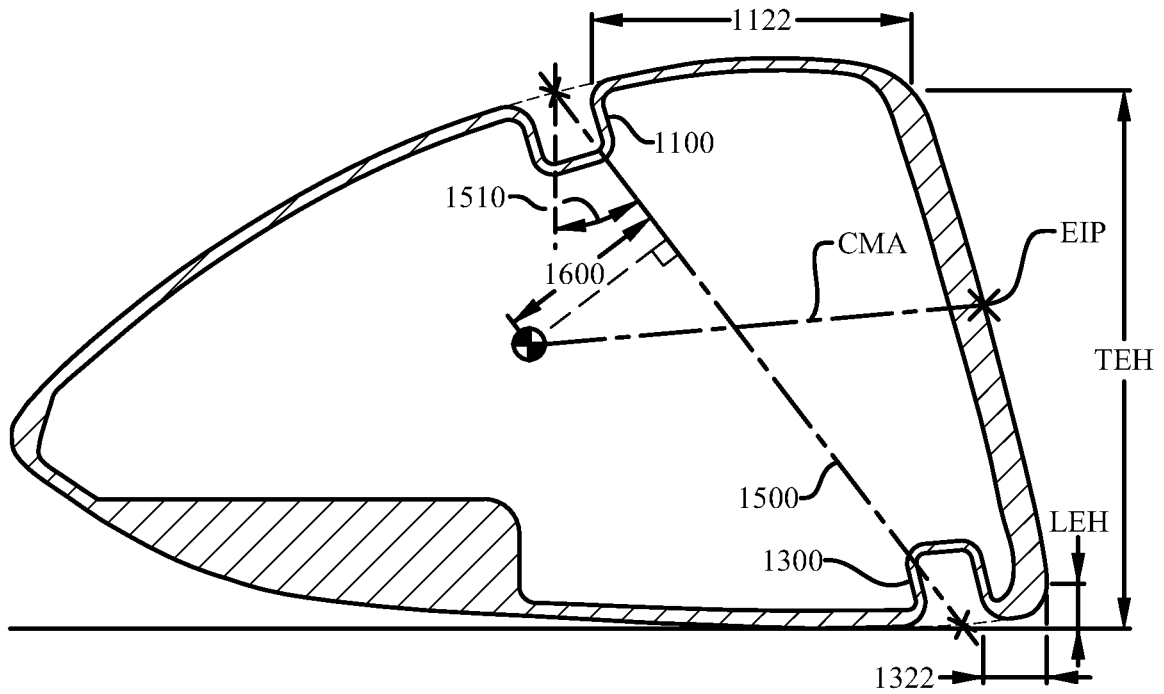


Fig. 27

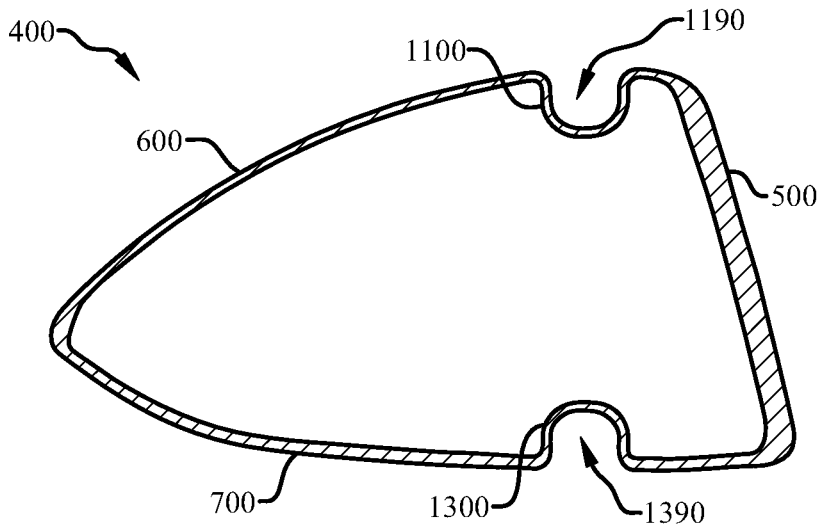


Fig. 28

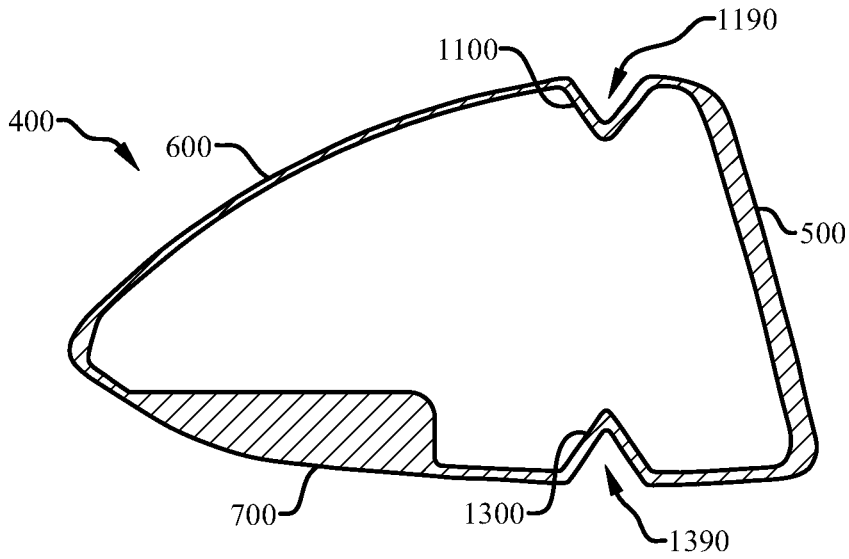


Fig. 29

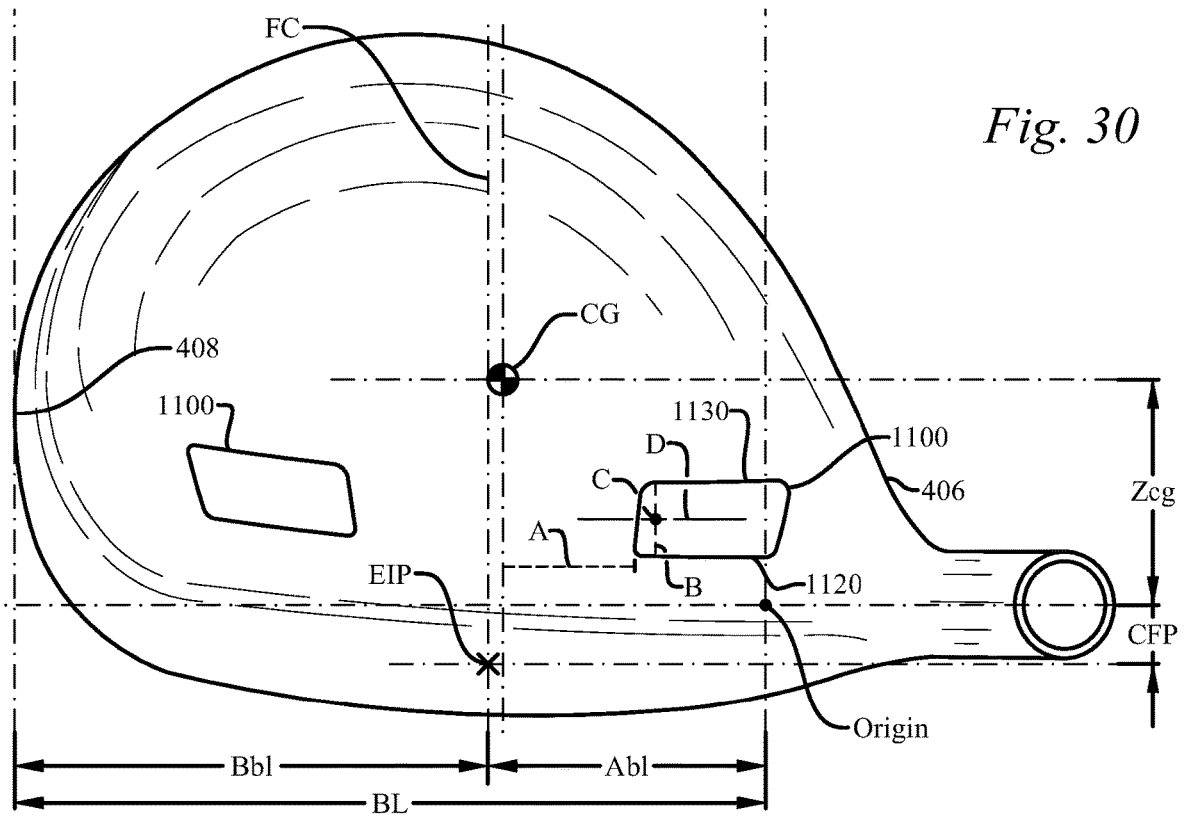


Fig. 30

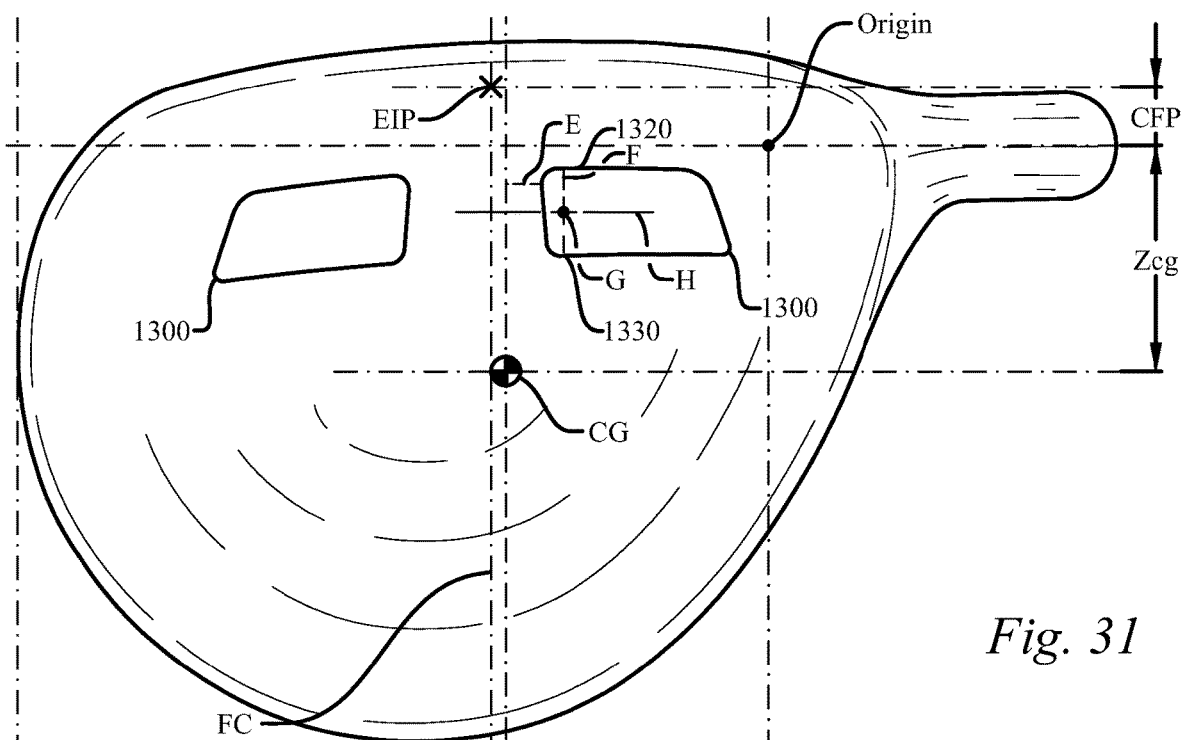


Fig. 31

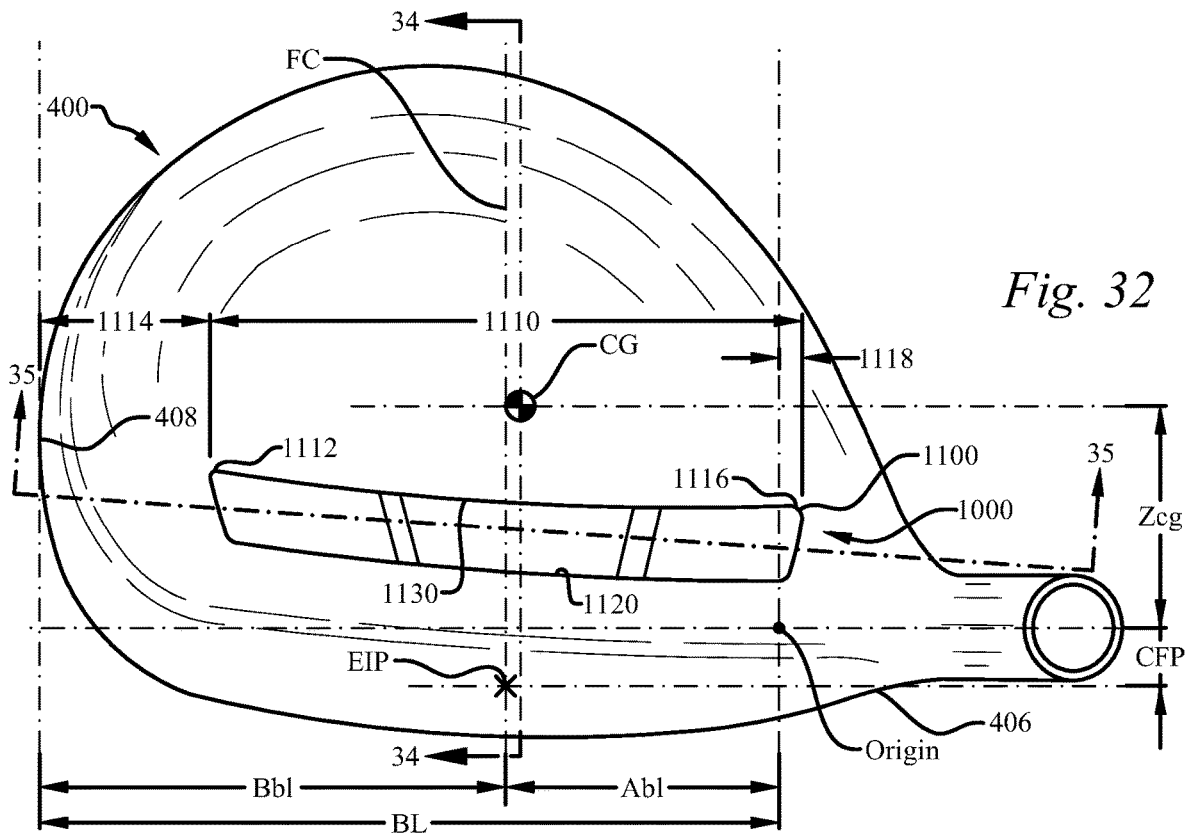


Fig. 32

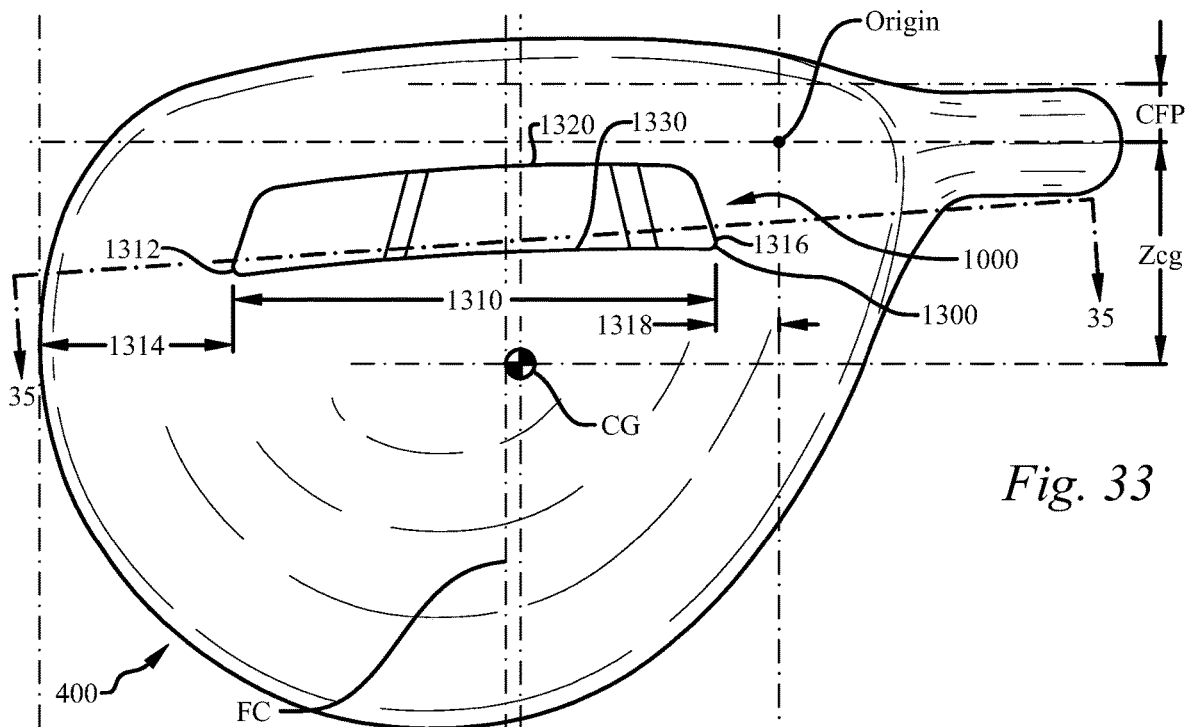


Fig. 33

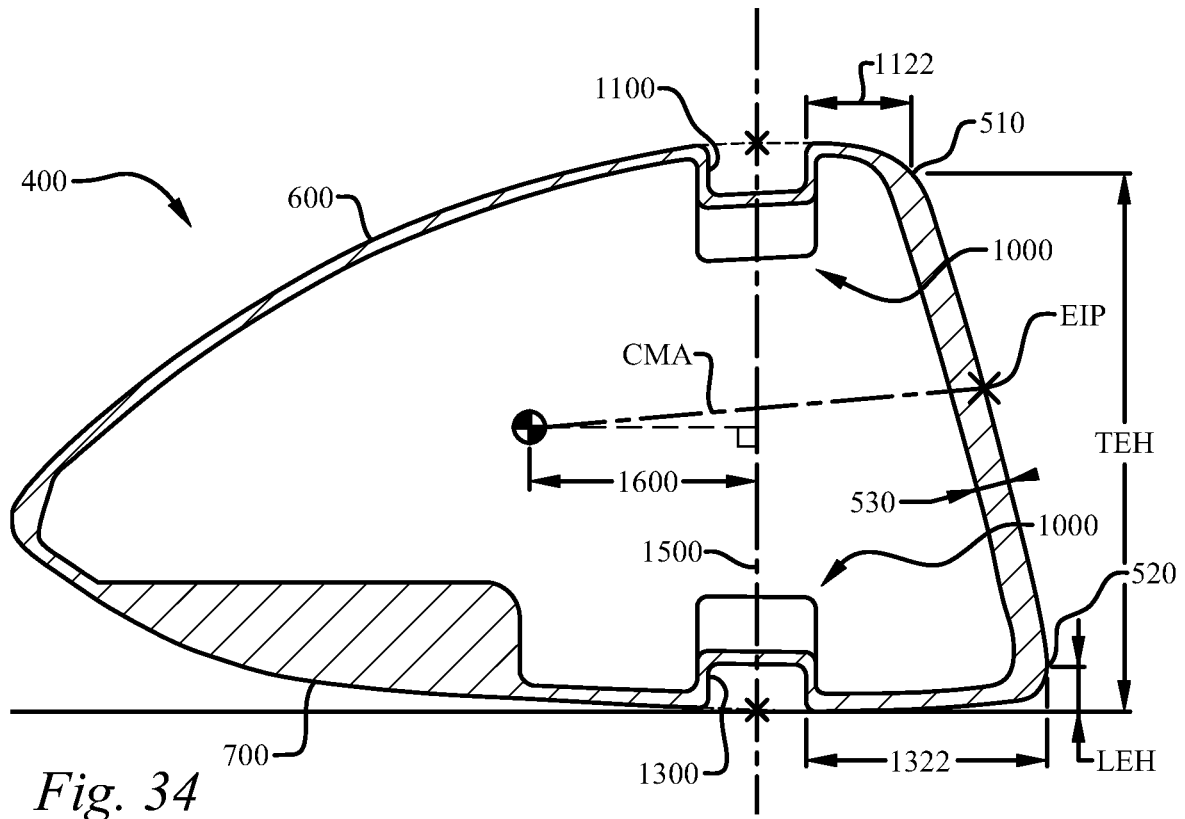


Fig. 34

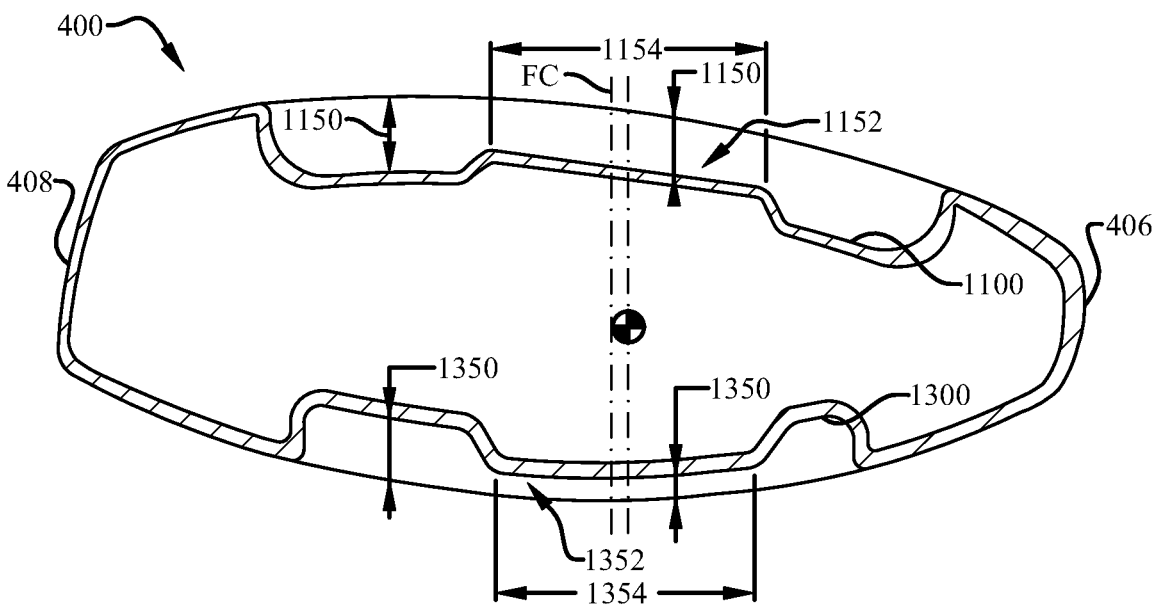


Fig. 35

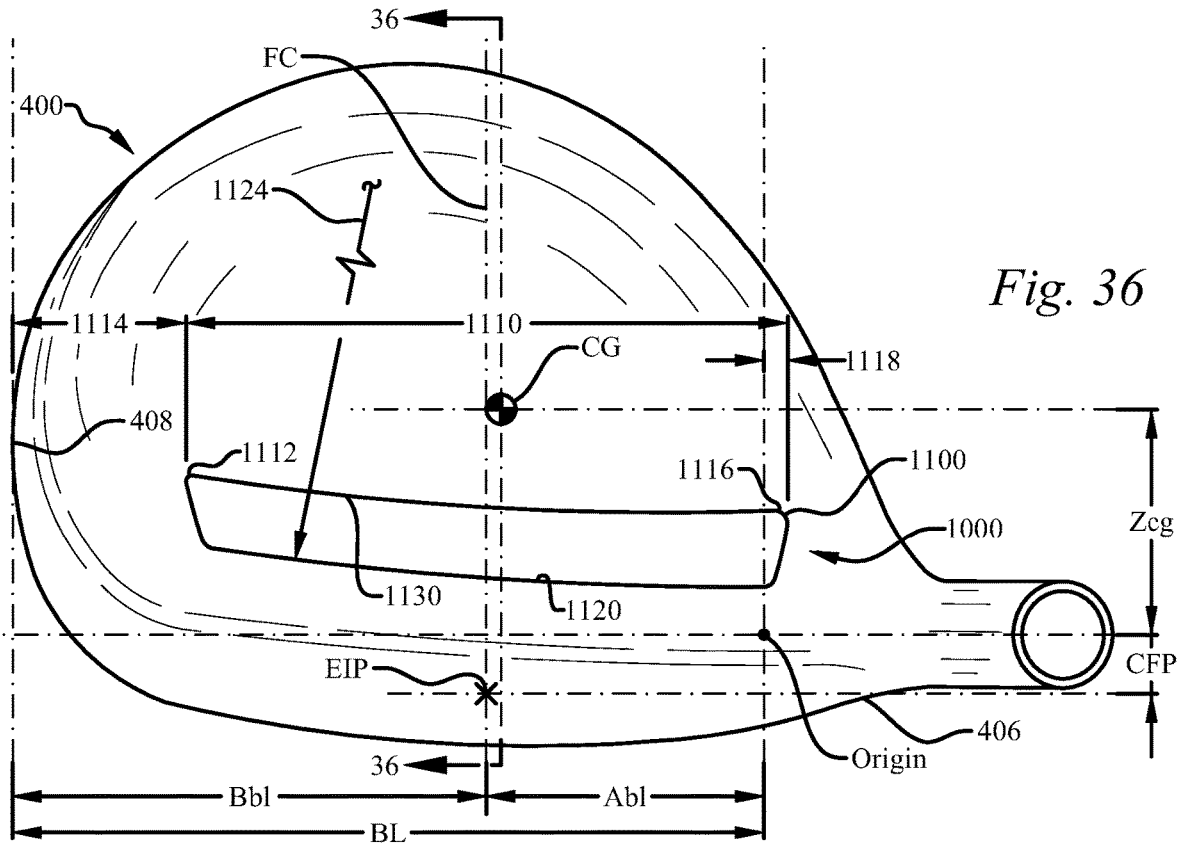


Fig. 36

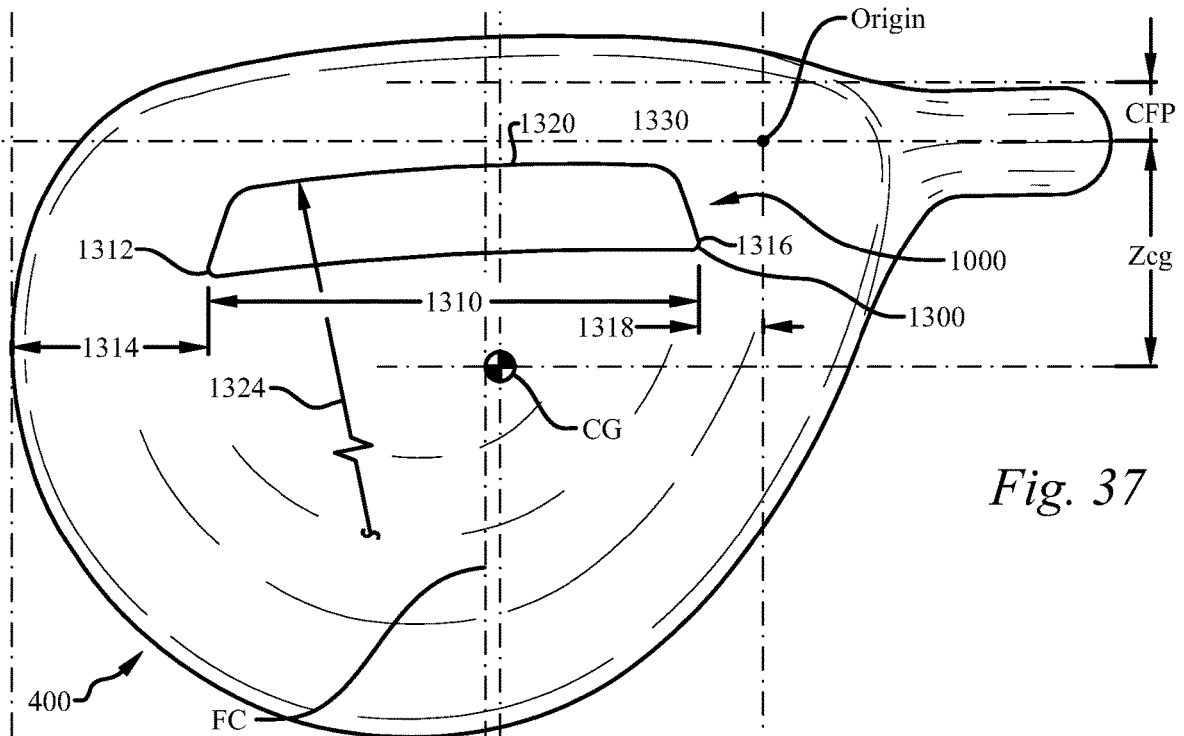


Fig. 37

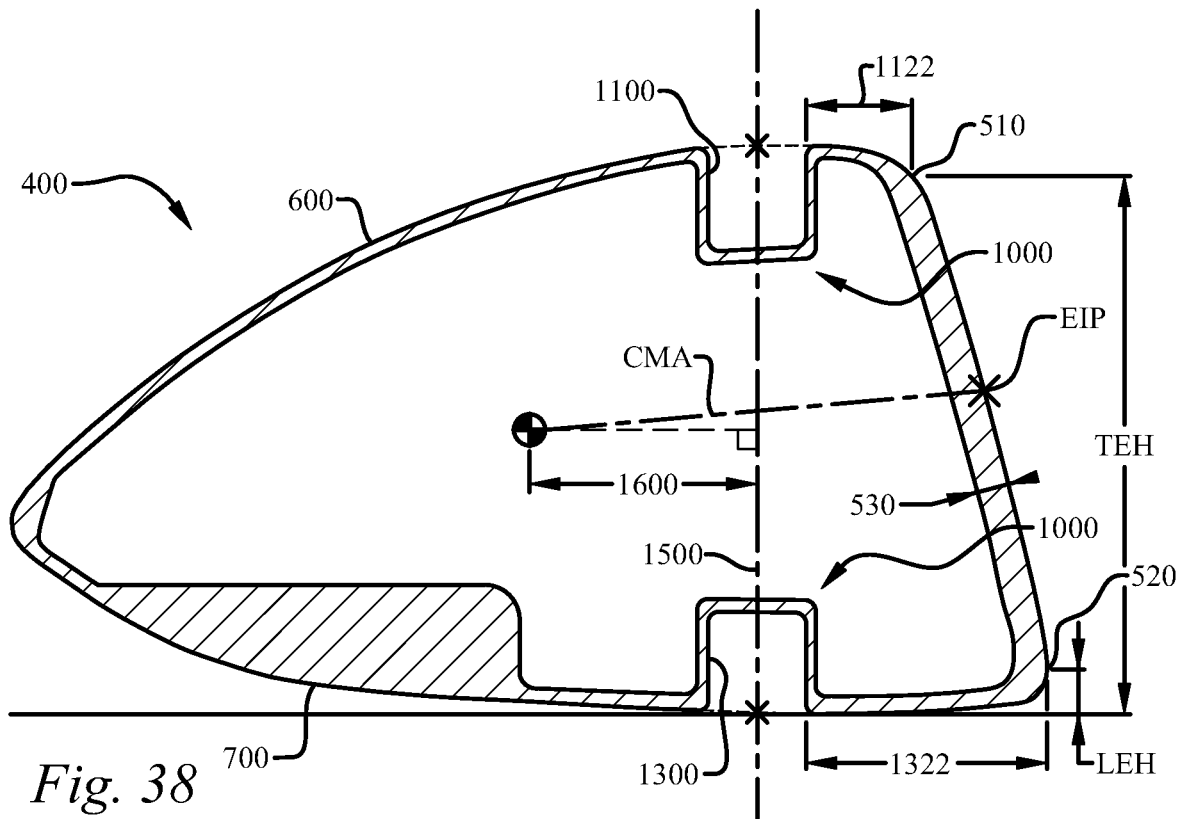


Fig. 38

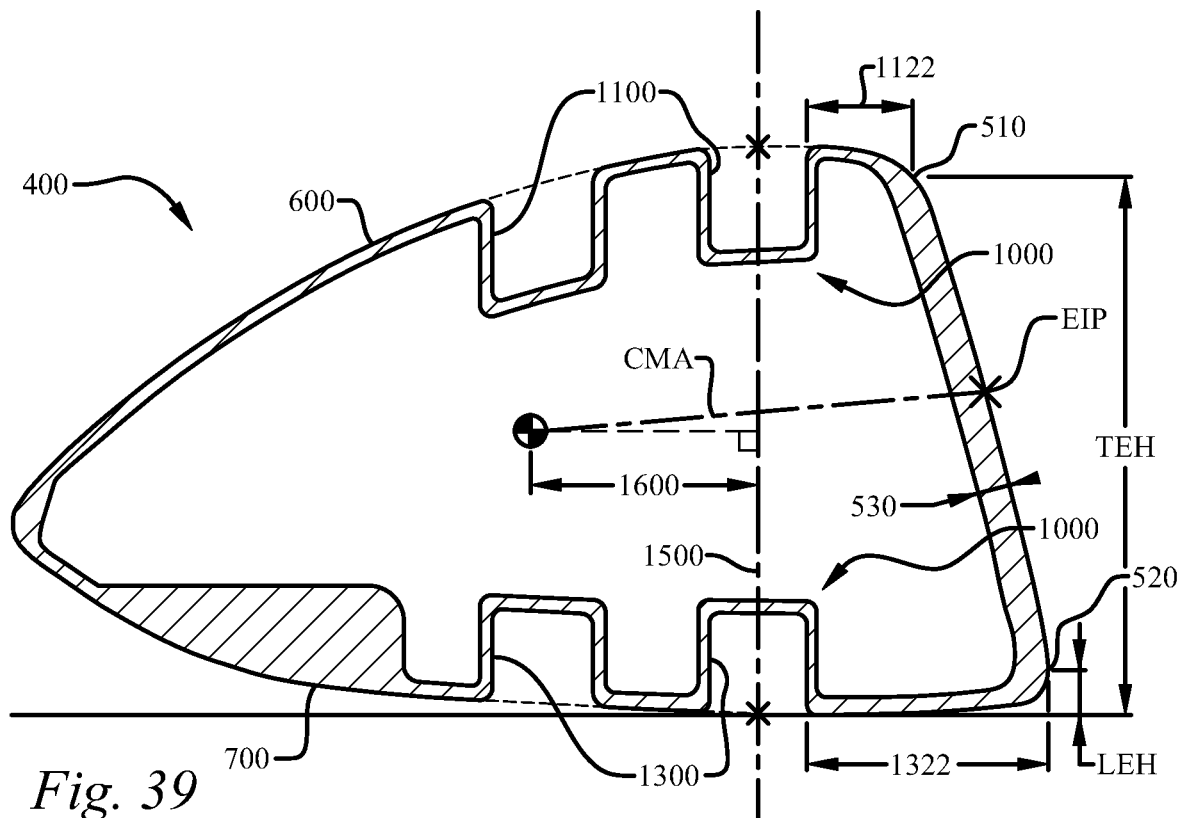


Fig. 39

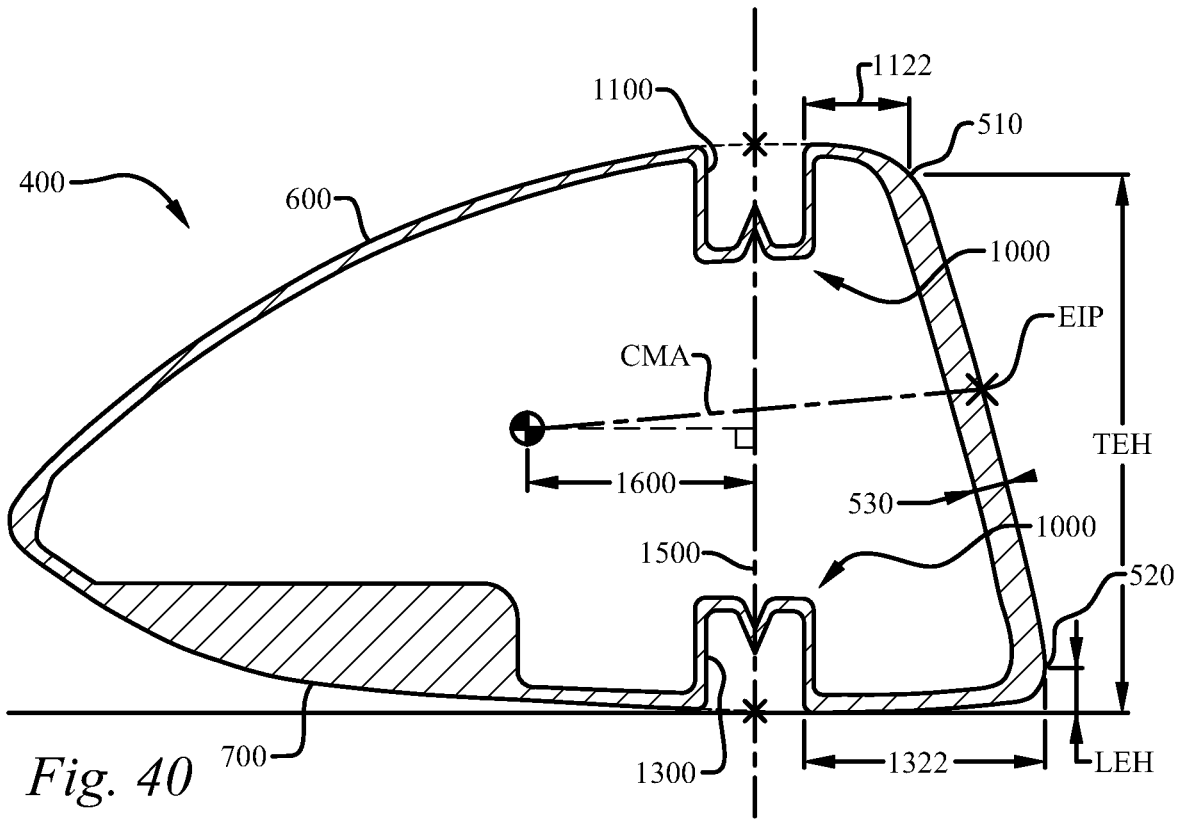


Fig. 40

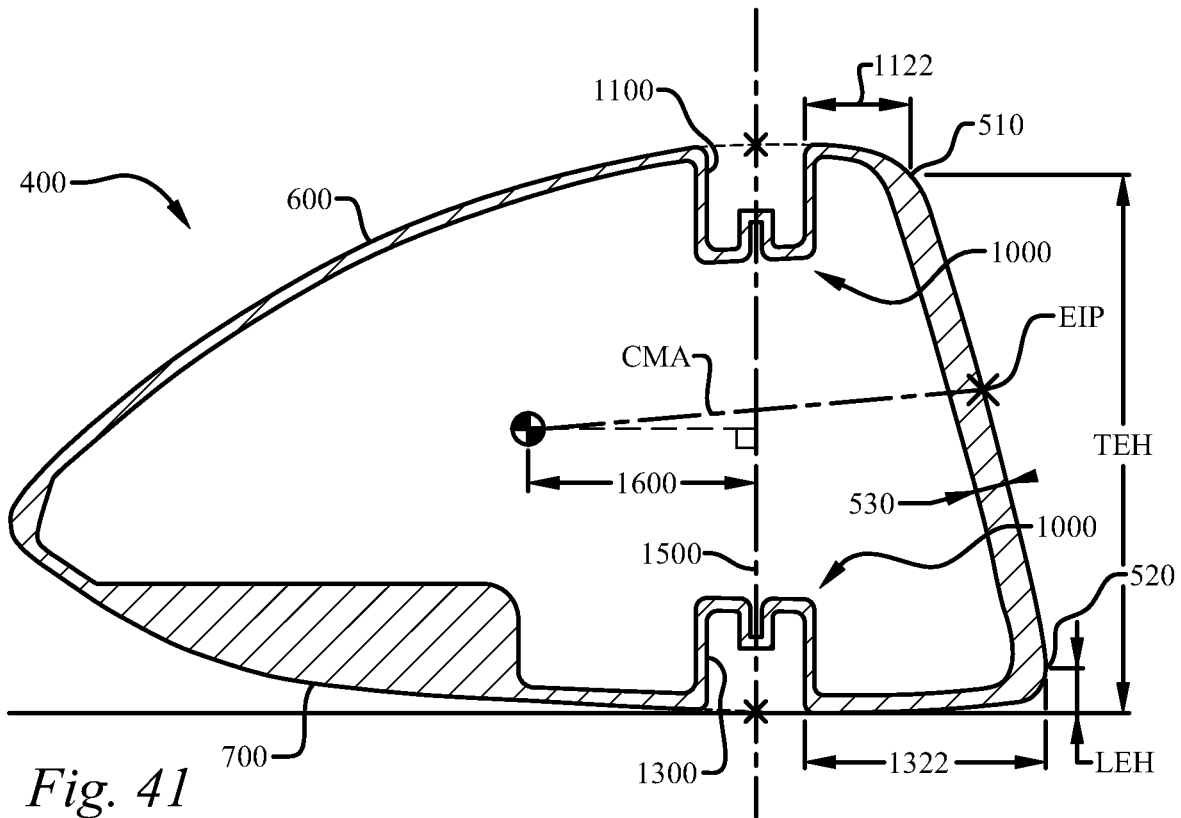


Fig. 41

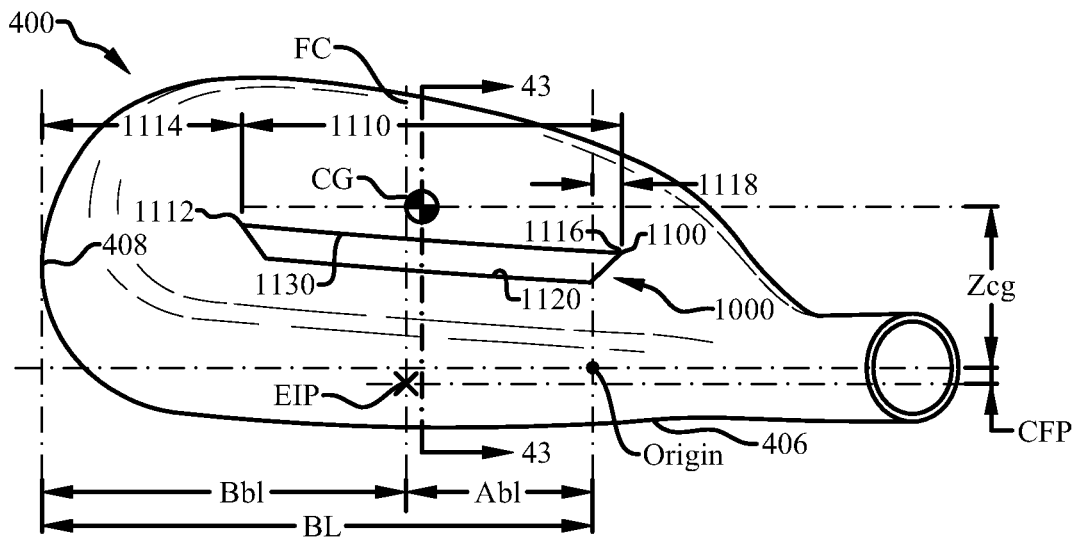


Fig. 42

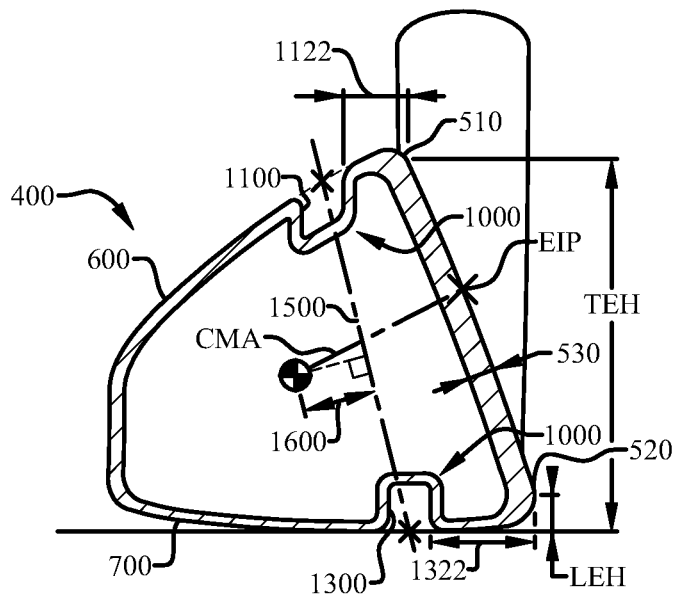


Fig. 43

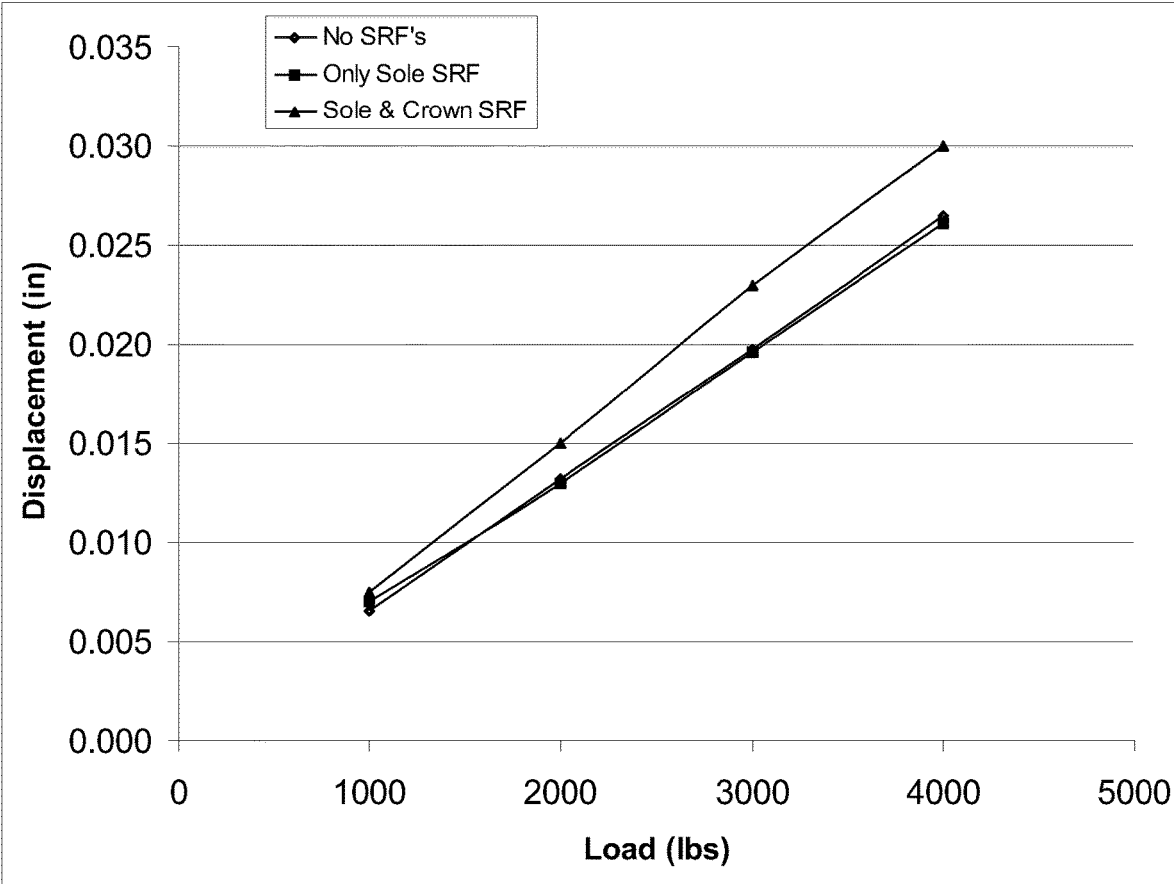


Fig. 44

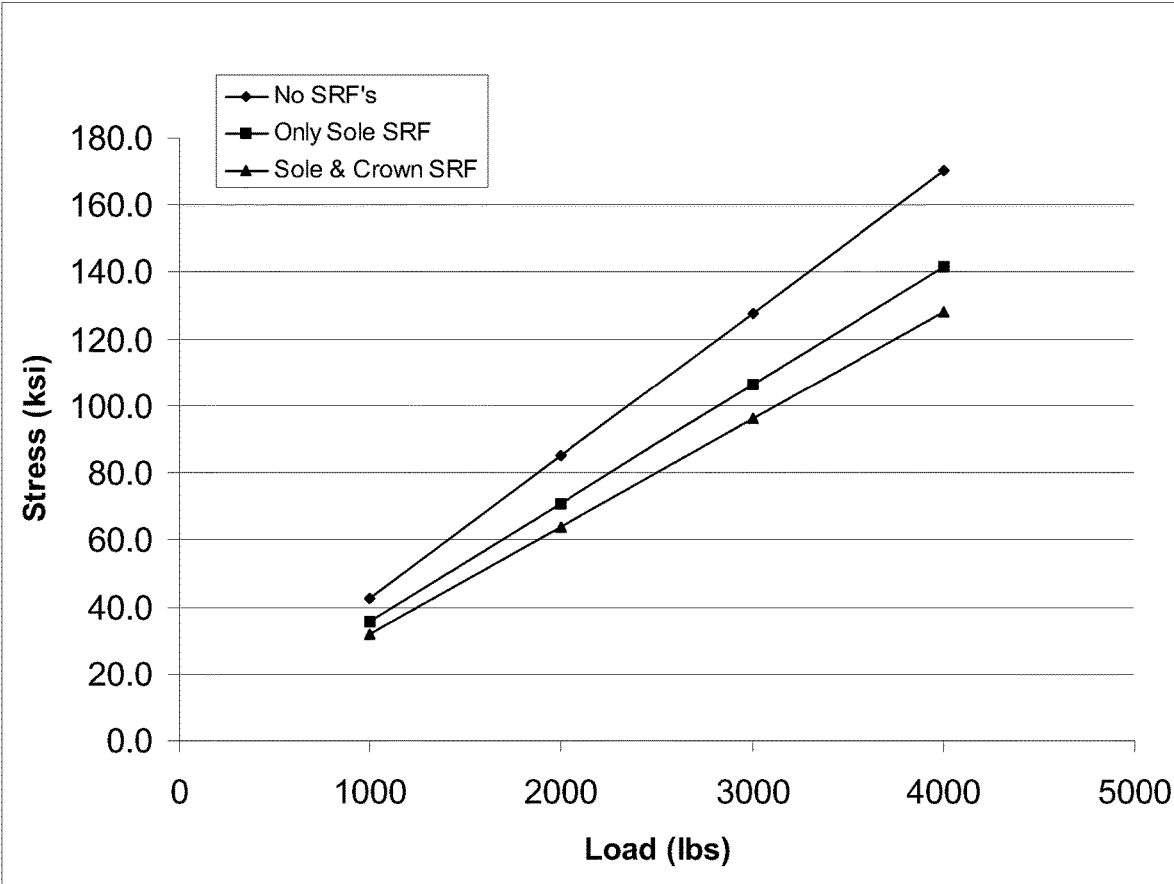


Fig. 45

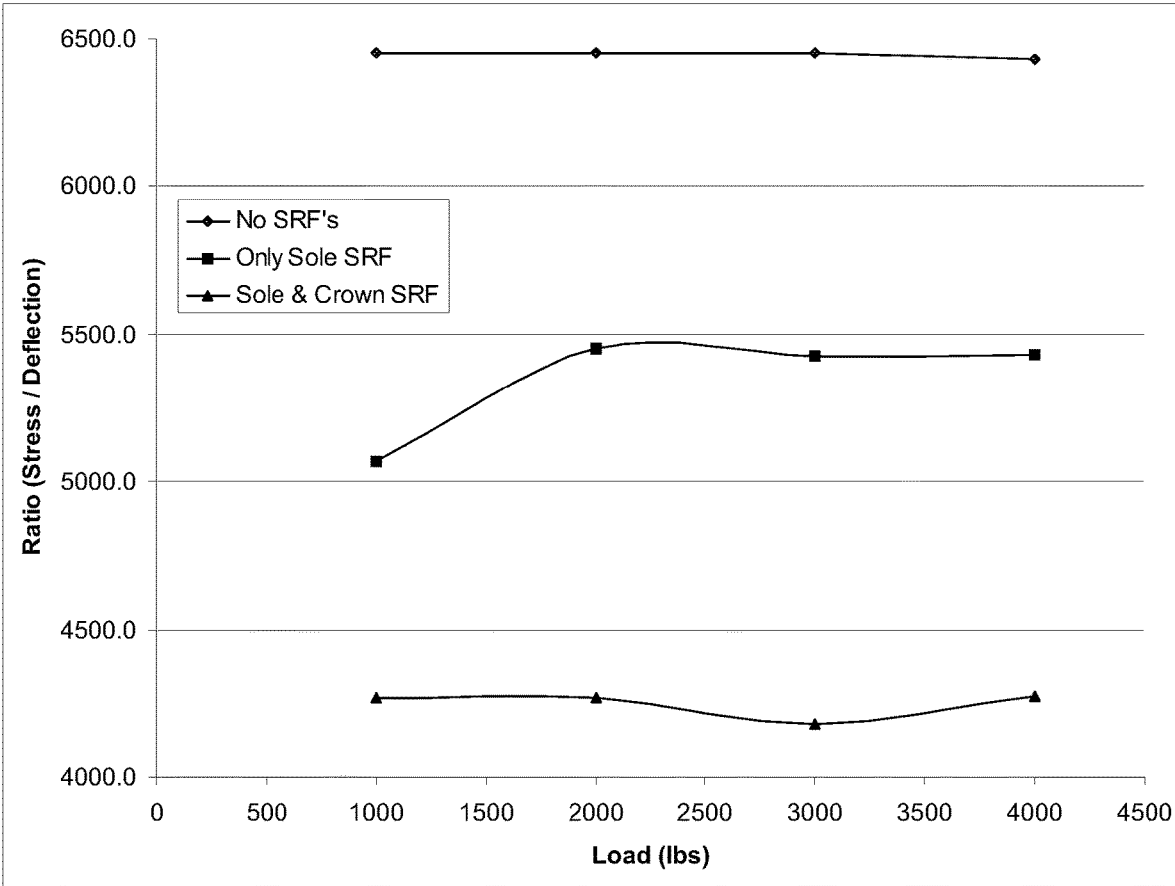


Fig. 46

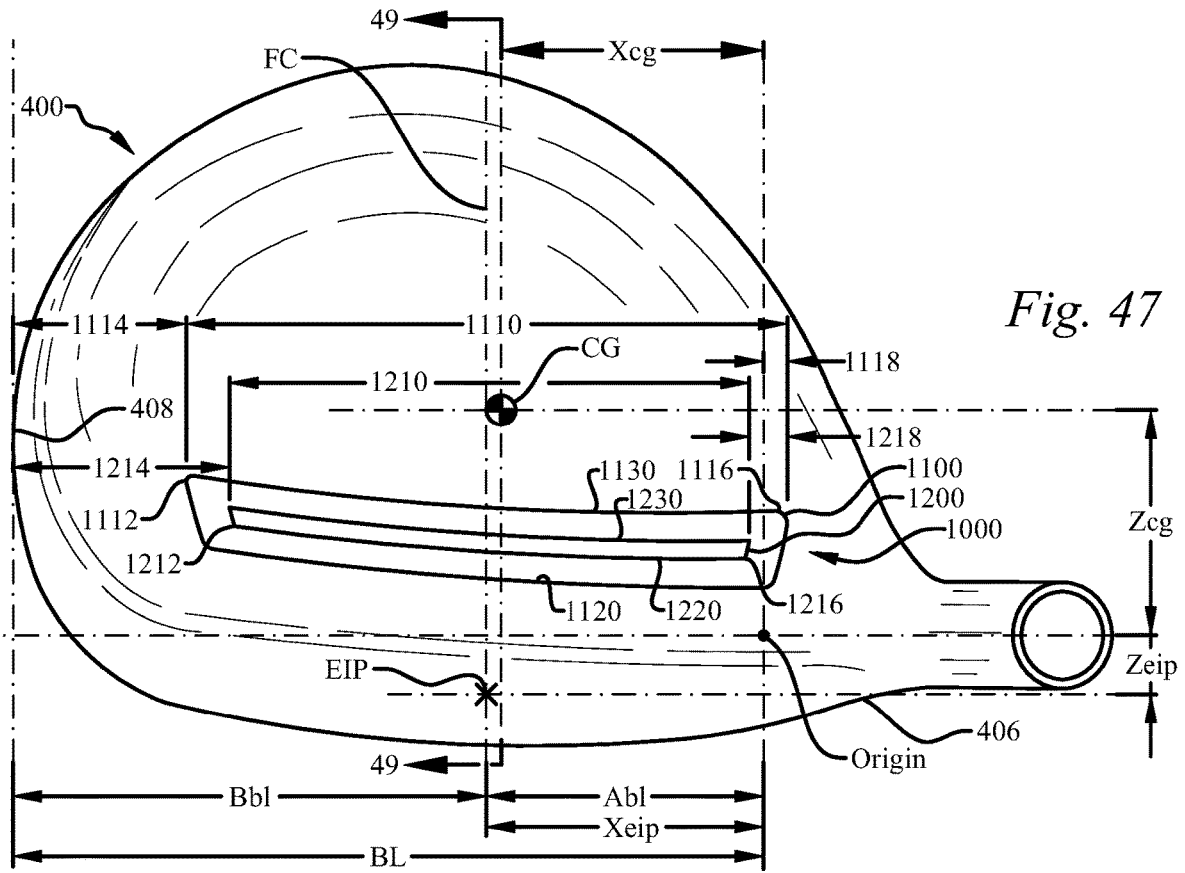


Fig. 47

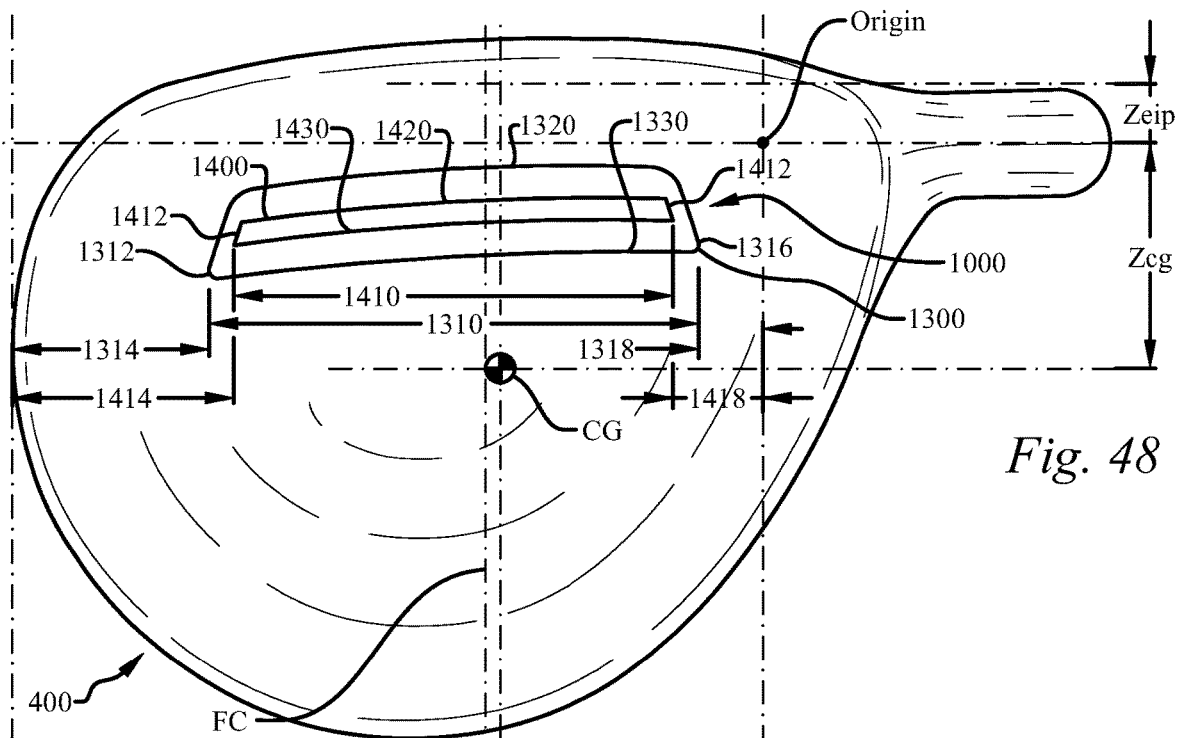


Fig. 48

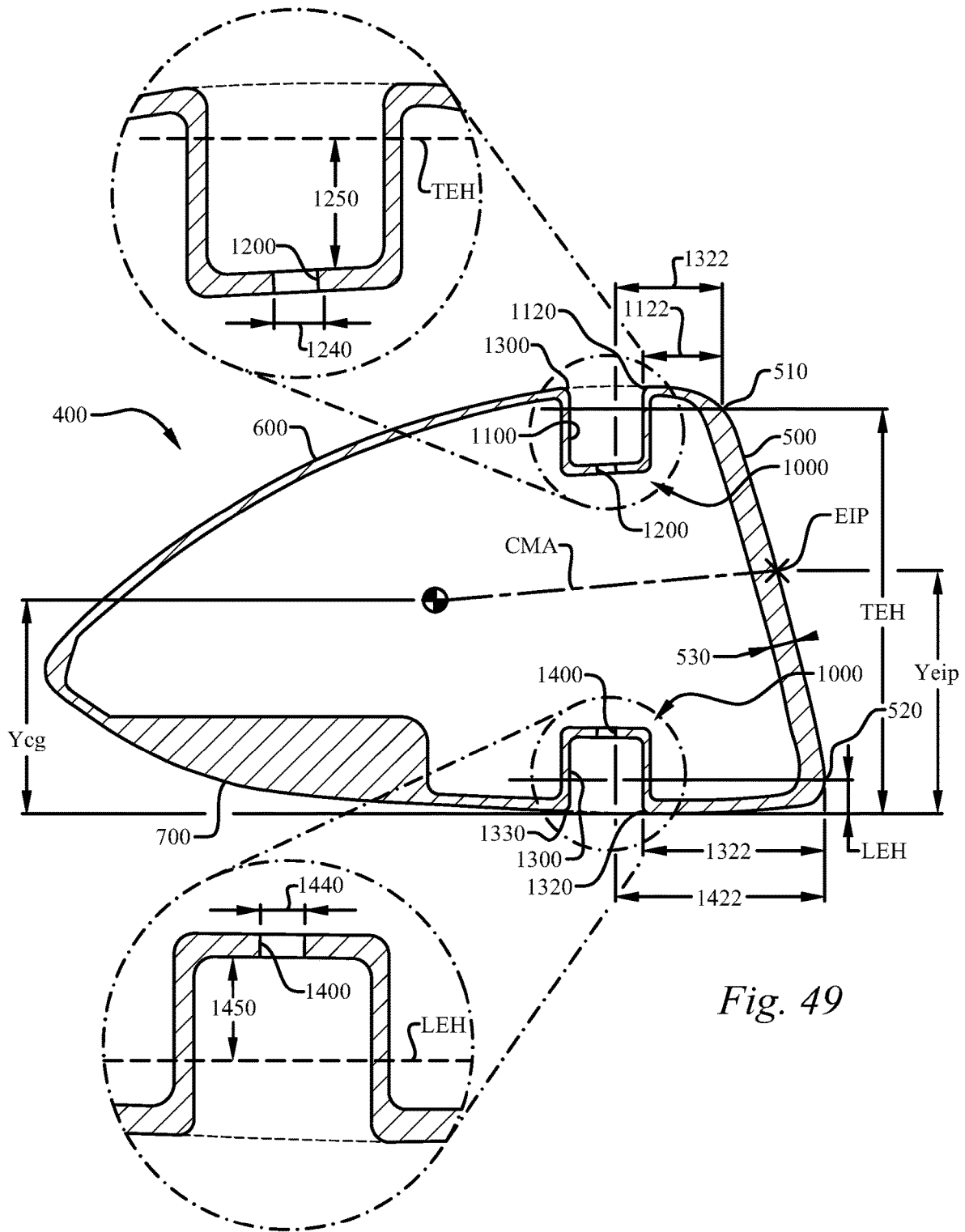


Fig. 49

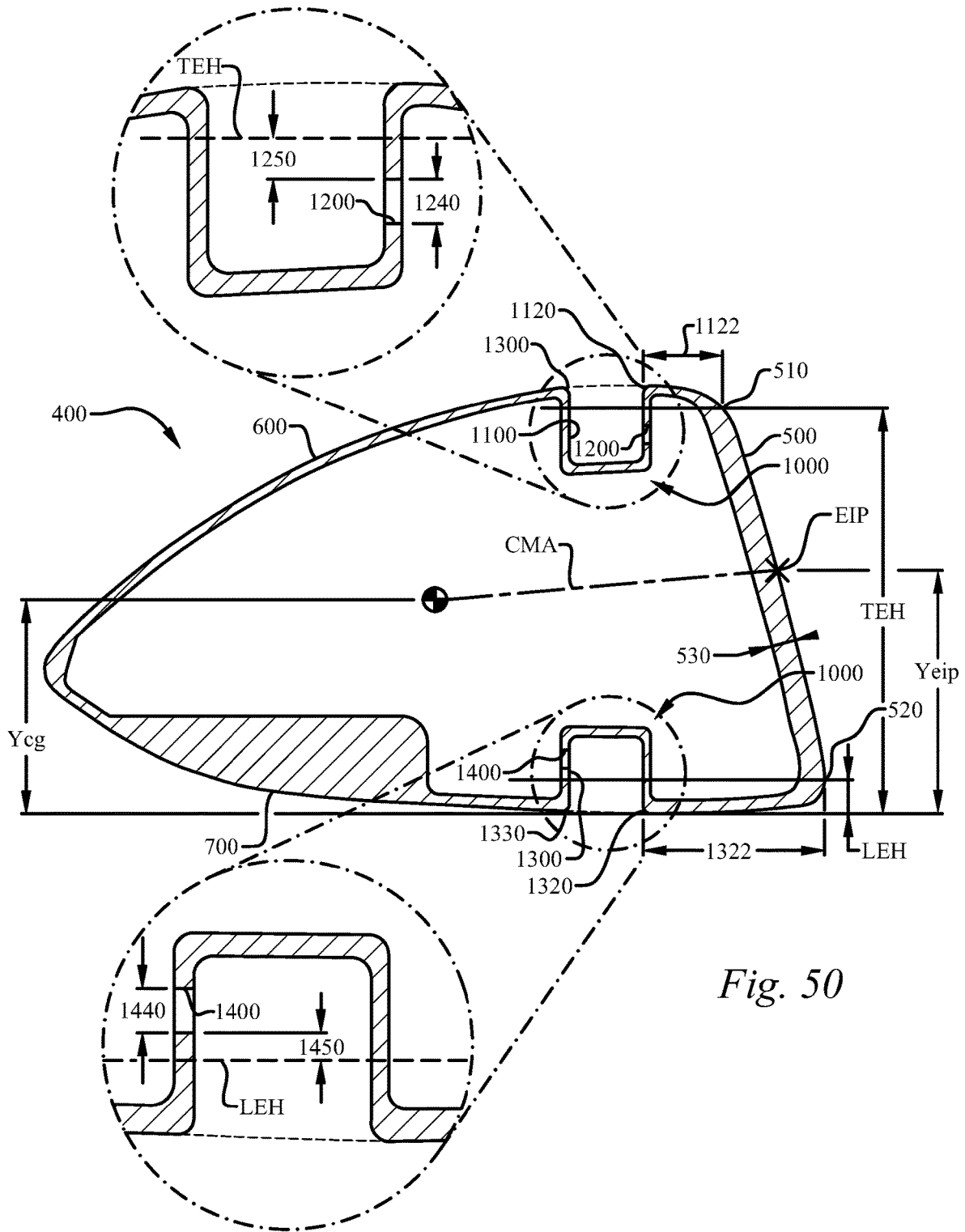


Fig. 50

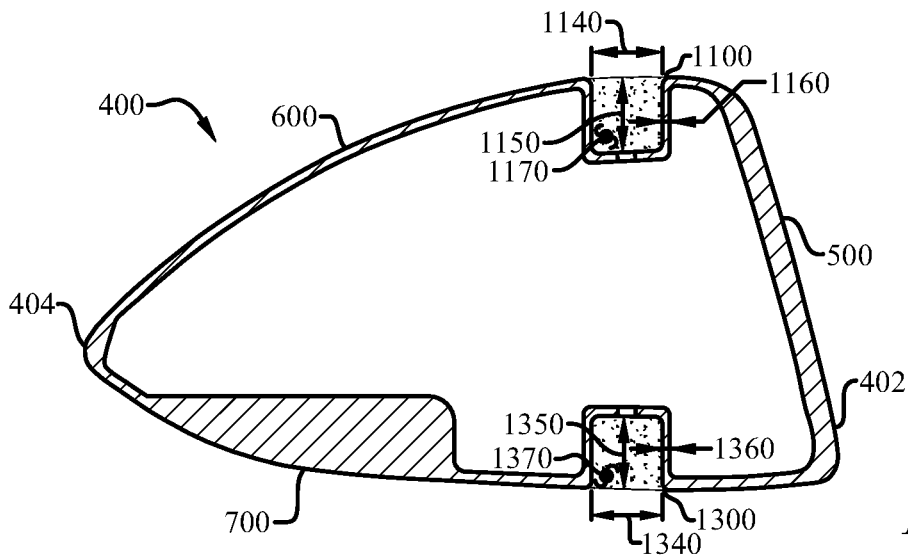


Fig. 51

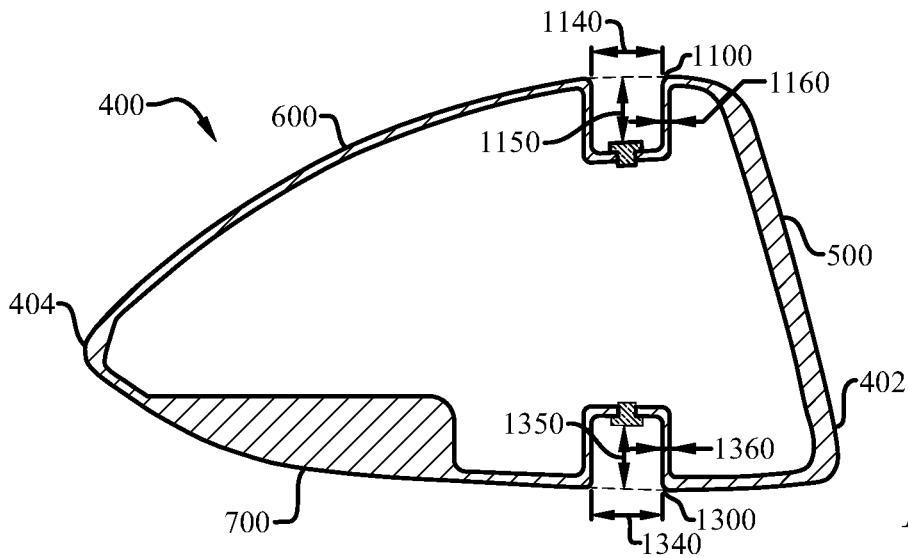


Fig. 52

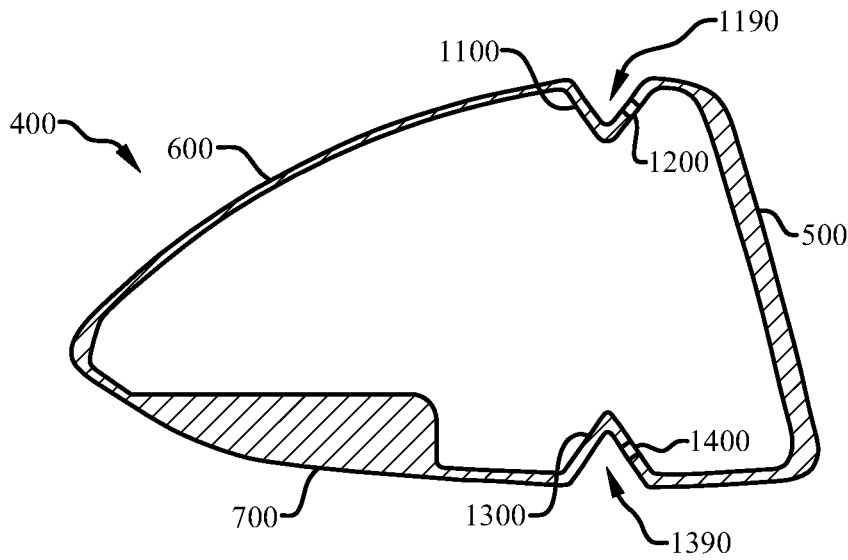


Fig. 53

1

IRON-TYPE GOLF CLUB HEAD**CROSS-REFERENCE TO RELATED APPLICATIONS**

This application is a continuation of U.S. patent application Ser. No. 16/366,481, filed on Mar. 27, 2019, which is a continuation of U.S. patent application Ser. No. 15/957,961, filed on Apr. 20, 2018, now U.S. Pat. No. 10,245,485, which is a continuation of U.S. patent application Ser. No. 15/437,835, filed on Feb. 21, 2017, now U.S. Pat. No. 9,950,223, which is a continuation of U.S. patent application Ser. No. 14/868,446, filed on Sep. 29, 2015, now U.S. Pat. No. 9,610,482, which is a continuation of U.S. patent application Ser. No. 14/472,415, filed on Aug. 29, 2014, now U.S. Pat. No. 9,168,434, which is a continuation of U.S. patent application Ser. No. 13/397,122, filed on Feb. 15, 2012, now U.S. Pat. No. 8,821,312, which is a continuation-in-part of U.S. patent application Ser. No. 12/791,025, filed on Jun. 1, 2010, now U.S. Pat. No. 8,235,844, all of which is incorporated by reference as if completely written herein.

STATEMENT REGARDING FEDERALLY SPONSORED RESEARCH OR DEVELOPMENT

This invention was not made as part of a federally sponsored research or development project.

TECHNICAL FIELD

The present invention relates to the field of golf clubs, namely hollow golf club heads. The present invention is a hollow golf club head characterized by a stress reducing feature that includes a stress reducing feature having an aperture.

BACKGROUND OF THE INVENTION

The impact associated with a golf club head, often moving in excess of 100 miles per hour, impacting a stationary golf ball results in a tremendous force on the face of the golf club head, and accordingly a significant stress on the face. It is desirable to reduce the peak stress experienced by the face and to selectively distribute the force of impact to other areas of the golf club head where it may be more advantageously utilized.

SUMMARY OF INVENTION

In its most general configuration, the present invention advances the state of the art with a variety of new capabilities and overcomes many of the shortcomings of prior methods in new and novel ways. In its most general sense, the present invention overcomes the shortcomings and limitations of the prior art in any of a number of generally effective configurations.

The present golf club incorporating a stress reducing feature including a crown located SRF, short for stress reducing feature, located on the crown of the club head and/or a sole located SRF located on the sole of the club head. The SRF may contain an aperture extending through the shell of the golf club head. The location and size of the SRF and aperture play a significant role in reducing the peak stress seen on the golf club's face during an impact with a golf ball, as well as selectively increasing deflection of the face.

2

Numerous variations, modifications, alternatives, and alterations of the various preferred embodiments, processes, and methods may be used alone or in combination with one another as will become more readily apparent to those with skill in the art with reference to the following detailed description of the preferred embodiments and the accompanying figures and drawings.

BRIEF DESCRIPTION OF THE DRAWINGS

Without limiting the scope of the present invention as claimed below and referring now to the drawings and figures:

FIG. 1 shows a front elevation view of an embodiment of the present invention, not to scale;

FIG. 2 shows a top plan view of an embodiment of the present invention, not to scale;

FIG. 3 shows a front elevation view of an embodiment of the present invention, not to scale;

FIG. 4 shows a toe side elevation view of an embodiment of the present invention, not to scale;

FIG. 5 shows a top plan view of an embodiment of the present invention, not to scale;

FIG. 6 shows a toe side elevation view of an embodiment of the present invention, not to scale;

FIG. 7 shows a front elevation view of an embodiment of the present invention, not to scale;

FIG. 8 shows a toe side elevation view of an embodiment of the present invention, not to scale;

FIG. 9 shows a front elevation view of an embodiment of the present invention, not to scale;

FIG. 10 shows a front elevation view of an embodiment of the present invention, not to scale;

FIG. 11 shows a front elevation view of an embodiment of the present invention, not to scale;

FIG. 12 shows a front elevation view of an embodiment of the present invention, not to scale;

FIG. 13 shows a front elevation view of an embodiment of the present invention, not to scale;

FIG. 14 shows a top plan view of an embodiment of the present invention, not to scale;

FIG. 15 shows a front elevation view of an embodiment of the present invention, not to scale;

FIG. 16 shows a top plan view of an embodiment of the present invention, not to scale;

FIG. 17 shows a top plan view of an embodiment of the present invention, not to scale;

FIG. 18 shows a top plan view of an embodiment of the present invention, not to scale;

FIG. 19 shows a front elevation view of an embodiment of the present invention, not to scale;

FIG. 20 shows a toe side elevation view of an embodiment of the present invention, not to scale;

FIG. 21 shows a front elevation view of an embodiment of the present invention, not to scale;

FIG. 22 shows a top plan view of an embodiment of the present invention, not to scale;

FIG. 23 shows a bottom plan view of an embodiment of the present invention, not to scale;

FIG. 24 shows a partial cross-sectional view of an embodiment of the present invention, not to scale;

FIG. 25 shows a partial cross-sectional view of an embodiment of the present invention, not to scale;

FIG. 26 shows a partial cross-sectional view of an embodiment of the present invention, not to scale;

FIG. 27 shows a partial cross-sectional view of an embodiment of the present invention, not to scale;

FIG. 28 shows a partial cross-sectional view of an embodiment of the present invention, not to scale;

FIG. 29 shows a partial cross-sectional view of an embodiment of the present invention, not to scale;

FIG. 30 shows a top plan view of an embodiment of the present invention, not to scale;

FIG. 31 shows a bottom plan view of an embodiment of the present invention, not to scale;

FIG. 32 shows a top plan view of an embodiment of the present invention, not to scale;

FIG. 33 shows a bottom plan view of an embodiment of the present invention, not to scale;

FIG. 34 shows a partial cross-sectional view of an embodiment of the present invention, not to scale;

FIG. 35 shows a partial cross-sectional view of an embodiment of the present invention, not to scale;

FIG. 36 shows a top plan view of an embodiment of the present invention, not to scale;

FIG. 37 shows a bottom plan view of an embodiment of the present invention, not to scale;

FIG. 38 shows a partial cross-sectional view of an embodiment of the present invention, not to scale;

FIG. 39 shows a partial cross-sectional view of an embodiment of the present invention, not to scale;

FIG. 40 shows a partial cross-sectional view of an embodiment of the present invention, not to scale;

FIG. 41 shows a partial cross-sectional view of an embodiment of the present invention, not to scale;

FIG. 42 shows a top plan view of an embodiment of the present invention, not to scale;

FIG. 43 shows a partial cross-sectional view of an embodiment of the present invention, not to scale;

FIG. 44 shows a graph of face displacement versus load;

FIG. 45 shows a graph of peak stress on the face versus load;

FIG. 46 shows a graph of the stress-to-deflection ratio versus load;

FIG. 47 shows a top plan view of an embodiment of the present invention, not to scale;

FIG. 48 shows a bottom plan view of an embodiment of the present invention, not to scale;

FIG. 49 shows a partial cross-sectional view of an embodiment of the present invention, not to scale;

FIG. 50 shows a partial cross-sectional view of an embodiment of the present invention, not to scale;

FIG. 51 shows a partial cross-sectional view of an embodiment of the present invention, not to scale;

FIG. 52 shows a partial cross-sectional view of an embodiment of the present invention, not to scale; and

FIG. 53 shows a partial cross-sectional view of an embodiment of the present invention, not to scale.

These drawings are provided to assist in the understanding of the exemplary embodiments of the present golf club as described in more detail below and should not be construed as unduly limiting the golf club. In particular, the relative spacing, positioning, sizing and dimensions of the various elements illustrated in the drawings are not drawn to scale and may have been exaggerated, reduced or otherwise modified for the purpose of improved clarity. Those of ordinary skill in the art will also appreciate that a range of alternative configurations have been omitted simply to improve the clarity and reduce the number of drawings.

DETAILED DESCRIPTION OF THE INVENTION

The hollow golf club of the present invention enables a significant advance in the state of the art. The preferred

embodiments of the golf club accomplish this by new and novel methods that are configured in unique and novel ways and which demonstrate previously unavailable, but preferred and desirable capabilities. The description set forth below in connection with the drawings is intended merely as a description of the presently preferred embodiments of the golf club, and is not intended to represent the only form in which the present golf club may be constructed or utilized. The description sets forth the designs, functions, means, and methods of implementing the golf club in connection with the illustrated embodiments. It is to be understood, however, that the same or equivalent functions and features may be accomplished by different embodiments that are also intended to be encompassed within the spirit and scope of the claimed golf club head.

In order to fully appreciate the present disclosed golf club some common terms must be defined for use herein. First, one of skill in the art will know the meaning of "center of gravity," referred to herein as CG, from an entry level course on the mechanics of solids. With respect to wood-type golf clubs, hybrid golf clubs, and hollow iron type golf clubs, which are may have non-uniform density, the CG is often thought of as the intersection of all the balance points of the club head. In other words, if you balance the head on the face and then on the sole, the intersection of the two imaginary lines passing straight through the balance points would define the point referred to as the CG.

It is helpful to establish a coordinate system to identify and discuss the location of the CG. In order to establish this coordinate system one must first identify a ground plane (GP) and a shaft axis (SA). First, the ground plane (GP) is the horizontal plane upon which a golf club head rests, as seen best in a front elevation view of a golf club head looking at the face of the golf club head, as seen in FIG. 1. Secondly, the shaft axis (SA) is the axis of a bore in the golf club head that is designed to receive a shaft. Some golf club heads have an external hosel that contains a bore for receiving the shaft such that one skilled in the art can easily appreciate the shaft axis (SA), while other "hosel-less" golf clubs have an internal bore that receives the shaft that nonetheless defines the shaft axis (SA). The shaft axis (SA) is fixed by the design of the golf club head and is also illustrated in FIG. 1.

Now, the intersection of the shaft axis (SA) with the ground plane (GP) fixes an origin point, labeled "origin" in FIG. 1, for the coordinate system. While it is common knowledge in the industry, it is worth noting that the right side of the club head seen in FIG. 1, the side nearest the bore in which the shaft attaches, is the "heel" side of the golf club head; and the opposite side, the left side in FIG. 1, is referred to as the "toe" side of the golf club head. Additionally, the portion of the golf club head that actually strikes a golf ball is referred to as the face of the golf club head and is commonly referred to as the front of the golf club head; whereas the opposite end of the golf club head is referred to as the rear of the golf club head and/or the trailing edge.

A three dimensional coordinate system may now be established from the origin with the Y-direction being the vertical direction from the origin; the X-direction being the horizontal direction perpendicular to the Y-direction and wherein the X-direction is parallel to the face of the golf club head in the natural resting position, also known as the design position; and the Z-direction is perpendicular to the X-direction wherein the Z-direction is the direction toward the rear of the golf club head. The X, Y, and Z directions are noted on a coordinate system symbol in FIG. 1. It should be noted that this coordinate system is contrary to the tradi-

tional right-hand rule coordinate system; however it is preferred so that the center of gravity may be referred to as having all positive coordinates.

Now, with the origin and coordinate system defined, the terms that define the location of the CG may be explained. One skilled in the art will appreciate that the CG of a hollow golf club head such as the wood-type golf club head illustrated in FIG. 2 will be behind the face of the golf club head. The distance behind the origin that the CG is located is referred to as Z_{cg} , as seen in FIG. 2. Similarly, the distance above the origin that the CG is located is referred to as Y_{cg} , as seen in FIG. 3. Lastly, the horizontal distance from the origin that the CG is located is referred to as X_{cg} , also seen in FIG. 3. Therefore, the location of the CG may be easily identified by reference to X_{cg} , Y_{cg} , and Z_{cg} .

The moment of inertia of the golf club head is a key ingredient in the playability of the club. Again, one skilled in the art will understand what is meant by moment of inertia with respect to golf club heads; however it is helpful to define two moment of inertia components that will be commonly referred to herein. First, $MOIx$ is the moment of inertia of the golf club head around an axis through the CG, parallel to the X-axis, labeled in FIG. 4. $MOIx$ is the moment of inertia of the golf club head that resists lofting and delofting moments induced by ball strikes high or low on the face. Secondly, $MOIy$ is the moment of the inertia of the golf club head around an axis through the CG, parallel to the Y-axis, labeled in FIG. 5. $MOIy$ is the moment of inertia of the golf club head that resists opening and closing moments induced by ball strikes towards the toe side or heel side of the face.

Continuing with the definitions of key golf club head dimensions, the "front-to-back" dimension, referred to as the FB dimension, is the distance from the furthest forward point at the leading edge of the golf club head to the furthest rearward point at the rear of the golf club head, i.e. the trailing edge, as seen in FIG. 6. The "heel-to-toe" dimension, referred to as the HT dimension, is the distance from the point on the surface of the club head on the toe side that is furthest from the origin in the X-direction, to the point on the surface of the golf club head on the heel side that is 0.875" above the ground plane and furthest from the origin in the negative X-direction, as seen in FIG. 7.

A key location on the golf club face is an engineered impact point (EIP). The engineered impact point (EIP) is important in that it helps define several other key attributes of the present golf club head. The engineered impact point (EIP) is generally thought of as the point on the face that is the ideal point at which to strike the golf ball. Generally, the score lines on golf club heads enable one to easily identify the engineered impact point (EIP) for a golf club. In the embodiment of FIG. 9, the first step in identifying the engineered impact point (EIP) is to identify the top score line (TSL) and the bottom score line (BSL). Next, draw an imaginary line (IL) from the midpoint of the top score line (TSL) to the midpoint of the bottom score line (BSL). This imaginary line (IL) will often not be vertical since many score line designs are angled upward toward the toe when the club is in the natural position. Next, as seen in FIG. 10, the club must be rotated so that the top score line (TSL) and the bottom score line (BSL) are parallel with the ground plane (GP), which also means that the imaginary line (IL) will now be vertical. In this position, the leading edge height (LEH) and the top edge height (TEH) are measured from the ground plane (GP). Next, the face height is determined by subtracting the leading edge height (LEH) from the top edge height (TEH). The face height is then divided in half and

added to the leading edge height (LEH) to yield the height of the engineered impact point (EIP). Continuing with the club head in the position of FIG. 10, a spot is marked on the imaginary line (IL) at the height above the ground plane (GP) that was just calculated. This spot is the engineered impact point (EIP).

The engineered impact point (EIP) may also be easily determined for club heads having alternative score line configurations. For instance, the golf club head of FIG. 11 does not have a centered top score line. In such a situation, the two outermost score lines that have lengths within 5% of one another are then used as the top score line (TSL) and the bottom score line (BSL). The process for determining the location of the engineered impact point (EIP) on the face is then determined as outlined above. Further, some golf club heads have non-continuous score lines, such as that seen at the top of the club head face in FIG. 12. In this case, a line is extended across the break between the two top score line sections to create a continuous top score line (TSL). The newly created continuous top score line (TSL) is then bisected and used to locate the imaginary line (IL). Again, then the process for determining the location of the engineered impact point (EIP) on the face is determined as outlined above.

The engineered impact point (EIP) may also be easily determined in the rare case of a golf club head having an asymmetric score line pattern, or no score lines at all. In such embodiments the engineered impact point (EIP) shall be determined in accordance with the USGA "Procedure for Measuring the Flexibility of a Golf Clubhead," Revision 2.0, Mar. 25, 2005, which is incorporated herein by reference. This USGA procedure identifies a process for determining the impact location on the face of a golf club that is to be tested, also referred therein as the face center. The USGA procedure utilizes a template that is placed on the face of the golf club to determine the face center. In these limited cases of asymmetric score line patterns, or no score lines at all, this USGA face center shall be the engineered impact point (EIP) that is referenced throughout this application.

The engineered impact point (EIP) on the face is an important reference to define other attributes of the present golf club head. The engineered impact point (EIP) is generally shown on the face with rotated crosshairs labeled EIP. The precise location of the engineered impact point (EIP) can be identified via the dimensions X_{eip} , Y_{eip} , and Z_{eip} , as illustrated in FIGS. 22-24. The X coordinate X_{eip} is measured in the same manner as X_{cg} , the Y coordinate Y_{eip} is measured in the same manner as Y_{cg} , and the Z coordinate Z_{eip} is measured in the same manner as Z_{cg} , except that Z_{eip} is always a positive value regardless of whether it is in front of the origin point or behind the origin point.

One important dimension that utilizes the engineered impact point (EIP) is the center face progression (CFP), seen in FIGS. 8 and 14. The center face progression (CFP) is a single dimension measurement and is defined as the distance in the Z-direction from the shaft axis (SA) to the engineered impact point (EIP). A second dimension that utilizes the engineered impact point (EIP) is referred to as a club moment arm (CMA). The CMA is the two dimensional distance from the CG of the club head to the engineered impact point (EIP) on the face, as seen in FIG. 8. Thus, with reference to the coordinate system shown in FIG. 1, the club moment arm (CMA) includes a component in the Z-direction and a component in the Y-direction, but ignores any difference in the X-direction between the CG and the engineered impact point (EIP). Thus, the club moment arm (CMA) can be thought of in terms of an impact vertical

plane passing through the engineered impact point (EIP) and extending in the Z-direction. First, one would translate the CG horizontally in the X-direction until it hits the impact vertical plane. Then, the club moment arm (CMA) would be the distance from the projection of the CG on the impact vertical plane to the engineered impact point (EIP). The club moment arm (CMA) has a significant impact on the launch angle and the spin of the golf ball upon impact.

Another important dimension in golf club design is the club head blade length (BL), seen in FIG. 13 and FIG. 14. The blade length (BL) is the distance from the origin to a point on the surface of the club head on the toe side that is furthest from the origin in the X-direction. The blade length (BL) is composed of two sections, namely the heel blade length section (Abl) and the toe blade length section (Bbl). The point of delineation between these two sections is the engineered impact point (EIP), or more appropriately, a vertical line, referred to as a face centerline (FC), extending through the engineered impact point (EIP), as seen in FIG. 13, when the golf club head is in the normal resting position, also referred to as the design position.

Further, several additional dimensions are helpful in understanding the location of the CG with respect to other points that are essential in golf club engineering. First, a CG angle (CGA) is the one dimensional angle between a line connecting the CG to the origin and an extension of the shaft axis (SA), as seen in FIG. 14. The CG angle (CGA) is measured solely in the X-Z plane and therefore does not account for the elevation change between the CG and the origin, which is why it is easiest understood in reference to the top plan view of FIG. 14.

Lastly, another important dimension in quantifying the present golf club only takes into consideration two dimensions and is referred to as the transfer distance (TD), seen in FIG. 17. The transfer distance (TD) is the horizontal distance from the CG to a vertical line extending from the origin; thus, the transfer distance (TD) ignores the height of the CG, or Ycg. Thus, using the Pythagorean Theorem from simple geometry, the transfer distance (TD) is the hypotenuse of a right triangle with a first leg being Xcg and the second leg being Zcg.

The transfer distance (TD) is significant in that it helps define another moment of inertia value that is significant to the present golf club. This new moment of inertia value is defined as the face closing moment of inertia, referred to as MOIfc, which is the horizontally translated (no change in Y-direction elevation) version of MOIy around a vertical axis that passes through the origin. MOIfc is calculated by adding MOIy to the product of the club head mass and the transfer distance (TD) squared. Thus,

$$\text{MOIfc} = \text{MOIy} + (\text{mass} * (\text{TD})^2)$$

The face closing moment (MOIfc) is important because it represents the resistance that a golfer feels during a swing when trying to bring the club face back to a square position for impact with the golf ball. In other words, as the golf swing returns the golf club head to its original position to impact the golf ball the face begins closing with the goal of being square at impact with the golf ball.

The presently disclosed hollow golf club incorporates stress reducing features unlike prior hollow type golf clubs. The hollow type golf club includes a shaft (200) having a proximal end (210) and a distal end (220); a grip (300) attached to the shaft proximal end (210); and a golf club head (100) attached at the shaft distal end (220), as seen in FIG. 21. The overall hollow type golf club has a club length

of at least 36 inches and no more than 45 inches, as measure in accordance with USGA guidelines.

The golf club head (400) itself is a hollow structure that includes a face (500) positioned at a front portion (402) of the golf club head (400) where the golf club head (400) impacts a golf ball, a sole (700) positioned at a bottom portion of the golf club head (400), a crown (600) positioned at a top portion of the golf club head (400), and a skirt (800) positioned around a portion of a periphery of the golf club head (400) between the sole (700) and the crown (800). The face (500), sole (700), crown (600), and skirt (800) define an outer shell that further defines a head volume that is less than 300 cubic centimeters for the golf club head (400). Additionally, the golf club head (400) has a rear portion (404) opposite the face (500). The rear portion (404) includes the trailing edge of the golf club head (400), as is understood by one with skill in the art. The face (500) has a loft (L) of at least 12 degrees and no more than 30 degrees, and the face (500) includes an engineered impact point (EIP) as defined above. One skilled in the art will appreciate that the skirt (800) may be significant at some areas of the golf club head (400) and virtually nonexistent at other areas; particularly at the rear portion (404) of the golf club head (400) where it is not uncommon for it to appear that the crown (600) simply wraps around and becomes the sole (700).

The golf club head (100) includes a bore having a center that defines a shaft axis (SA) that intersects with a horizontal ground plane (GP) to define an origin point, as previously explained. The bore is located at a heel side (406) of the golf club head (400) and receives the shaft distal end (220) for attachment to the golf club head (400). The golf club head (100) also has a toe side (408) located opposite of the heel side (406). The presently disclosed golf club head (400) has a club head mass of less than 270 grams, which combined with the previously disclosed loft, club head volume, and club length establish that the presently disclosed golf club is directed to a hollow golf club such as a fairway wood, hybrid, or hollow iron.

The golf club head (400) may include a stress reducing feature (1000) including a crown located SRF (1100) located on the crown (600), seen in FIG. 22, and/or a sole located SRF (1300) located on the sole (700), seen in FIG. 23. As seen in FIGS. 22 and 25, the crown located SRF (1100) has a CSRF length (1110) between a CSRF toe-most point (1112) and a CSRF heel-most point (1116), a CSRF leading edge (1120), a CSRF trailing edge (1130), a CSRF width (1140), and a CSRF depth (1150). Similarly, as seen in FIGS. 23 and 25, the sole located SRF (1300) has a SSRF length (1310) between a SSRF toe-most point (1312) and a SSRF heel-most point (1316), a SSRF leading edge (1320), a SSRF trailing edge (1330), a SSRF width (1340), and a SSRF depth (1350).

With reference now to FIG. 24, in embodiments which incorporate both a crown located SRF (1100) and a sole located SRF (1300), a SRF connection plane (1500) passes through a portion of the crown located SRF (1100) and the sole located SRF (1300). To locate the SRF connection plane (1500) a vertical section is taken through the club head (400) in a front-to-rear direction, perpendicular to a vertical plane created by the shaft axis (SA); such a section is seen in FIG. 24. Then a crown SRF midpoint of the crown located SRF (1100) is determined at a location on a crown imaginary line following the natural curvature of the crown (600). The crown imaginary line is illustrated in FIG. 24 with a broken, or hidden, line connecting the CSRF leading edge (1120) to the CSRF trailing edge (1130), and the crown SRF midpoint is illustrated with an X. Similarly, a sole SRF midpoint of the

sole located SRF (1300) is determined at a location on a sole imaginary line following the natural curvature of the sole (700). The sole imaginary line is illustrated in FIG. 24 with a broken, or hidden, line connecting the SSRF leading edge (1320) to the SSRF trailing edge (1330), and the sole SRF midpoint is illustrated with an X. Finally, the SRF connection plane (1500) is a plane in the heel-to-toe direction that passes through both the crown SRF midpoint and the sole SRF midpoint, as seen in FIG. 24. While the SRF connection plane (1500) illustrated in FIG. 24 is approximately vertical, the orientation of the SRF connection plane (1500) depends on the locations of the crown located SRF (1100) and the sole located SRF (1300) and may be angled toward the face, as seen in FIG. 26, or angled away from the face, as seen in FIG. 27.

The SRF connection plane (1500) is oriented at a connection plane angle (1510) from the vertical, seen in FIGS. 26 and 27, which aids in defining the location of the crown located SRF (1100) and the sole located SRF (1300). In one particular embodiment the crown located SRF (1100) and the sole located SRF (1300) are not located vertically directly above and below one another; rather, the connection plane angle (1510) is greater than zero and less than ninety percent of a loft (L) of the club head (400), as seen in FIG. 26. The sole located SRF (1300) could likewise be located in front of, i.e. toward the face (500), the crown located SRF (1100) and still satisfy the criteria of this embodiment; namely, that the connection plane angle (1510) is greater than zero and less than ninety percent of a loft of the club head (400).

In an alternative embodiment, seen in FIG. 27, the SRF connection plane (1500) is oriented at a connection plane angle (1510) from the vertical and the connection plane angle (1510) is at least ten percent greater than a loft (L) of the club head (400). The crown located SRF (1100) could likewise be located in front of, i.e. toward the face (500), the sole located SRF (1300) and still satisfy the criteria of this embodiment; namely, that the connection plane angle (1510) is at least ten percent greater than a loft (L) of the club head (400). In an even further embodiment the SRF connection plane (1500) is oriented at a connection plane angle (1510) from the vertical and the connection plane angle (1510) is at least fifty percent greater than a loft (L) of the club head (400), but less than one hundred percent greater than the loft (L). These three embodiments recognize a unique relationship between the crown located SRF (1100) and the sole located SRF (1300) such that they are not vertically aligned with one another, while also not merely offset in a manner matching the loft (L) of the club head (400).

With reference now to FIGS. 30 and 31, in the event that a crown located SRF (1100) or a sole located SRF (1300), or both, do not exist at the location of the CG section, labeled as section 24-24 in FIG. 22, then the crown located SRF (1100) located closest to the front-to-rear vertical plane passing through the CG is selected. For example, as seen in FIG. 30 the right crown located SRF (1100) is nearer to the front-to-rear vertical CG plane than the left crown located SRF (1100). In other words the illustrated distance "A" is smaller for the right crown located SRF (1100). Next, the face centerline (FC) is translated until it passes through both the CSRF leading edge (1120) and the CSRF trailing edge (1130), as illustrated by broken line "B". Then, the midpoint of line "B" is found and labeled "C". Finally, imaginary line "D" is created that is perpendicular to the "B" line.

The same process is repeated for the sole located SRF (1300), as seen in FIG. 31. It is simply a coincidence that both the crown located SRF (1100) and the sole located SRF

(1300) located closest to the front-to-rear vertical CG plane are both on the heel side (406) of the golf club head (400). The same process applies even when the crown located SRF (1100) and the sole located SRF (1300) located closest to the front-to-rear vertical CG plane are on opposite sides of the golf club head (400). Now, still referring to FIG. 31, the process first involves identifying that the right sole located SRF (1300) is nearer to the front-to-rear vertical CG plane than the left sole located SRF (1300). In other words the illustrated distance "E" is smaller for the heel-side sole located SRF (1300). Next, the face centerline (FC) is translated until it passes through both the SSRF leading edge (1320) and the SSRF trailing edge (1330), as illustrated by broken line "F". Then, the midpoint of line "F" is found and labeled "G". Finally, imaginary line "H" is created that is perpendicular to the "F" line. The plane passing through both the imaginary line "D" and imaginary line "H" is the SRF connection plane (1500).

Next, referring back to FIG. 24, a CG-to-plane offset (1600) is defined as the shortest distance from the center of gravity (CG) to the SRF connection plane (1500), regardless of the location of the CG. In one particular embodiment the CG-to-plane offset (1600) is at least twenty-five percent less than the club moment arm (CMA) and the club moment arm (CMA) is less than 1.3 inches. The locations of the crown located SRF (1100) and the sole located SRF (1300) described herein, and the associated variables identifying the location, are selected to preferably reduce the stress in the face (500) when impacting a golf ball while accommodating temporary flexing and deformation of the crown located SRF (1100) and sole located SRF (1300) in a stable manner in relation to the CG location, and/or origin point, while maintaining the durability of the face (500), the crown (600), and the sole (700). Experimentation and modeling has shown that the crown located SRF (1100) and the sole located SRF (1300) increase the deflection of the face (500), while also reduce the peak stress on the face (500) at impact with a golf ball. This reduction in stress allows a substantially thinner face to be utilized, permitting the weight savings to be distributed elsewhere in the club head (400). Further, the increased deflection of the face (500) facilitates improvements in the coefficient of restitution (COR) of the club head (400), particularly for club heads having a volume of 300 cc or less.

In fact, further embodiments even more precisely identify the location of the crown located SRF (1100) and/or the sole located SRF (1300) to achieve these objectives. For instance, in one further embodiment the CG-to-plane offset (1600) is at least twenty-five percent of the club moment arm (CMA) and less than seventy-five percent of the club moment arm (CMA). In still a further embodiment, the CG-to-plane offset (1600) is at least forty percent of the club moment arm (CMA) and less than sixty percent of the club moment arm (CMA).

Alternatively, another embodiment relates the location of the crown located SRF (1100) and/or the sole located SRF (1300) to the difference between the maximum top edge height (TEH) and the minimum lower edge (LEH), referred to as the face height, rather than utilizing the CG-to-plane offset (1600) variable as previously discussed to accommodate embodiments in which a single SRF is present. As such, two additional variables are illustrated in FIG. 24, namely the CSRF leading edge offset (1122) and the SSRF leading edge offset (1322). The CSRF leading edge offset (1122) is the distance from any point along the CSRF leading edge (1120) directly forward, in the Zcg direction, to the point at the top edge (510) of the face (500). Thus, the CSRF leading

edge offset (1122) may vary along the length of the CSRFB leading edge (1120), or it may be constant if the curvature of the CSRFB leading edge (1120) matches the curvature of the top edge (510) of the face (500). Nonetheless, there will always be a minimum CSRFB leading edge offset (1122) at the point along the CSRFB leading edge (1120) that is the closest to the corresponding point directly in front of it on the face top edge (510), and there will be a maximum CSRFB leading edge offset (1122) at the point along the CSRFB leading edge (1120) that is the farthest from the corresponding point directly in front of it on the face top edge (510). Likewise, the SSRFB leading edge offset (1322) is the distance from any point along the SSRFB leading edge (1320) directly forward, in the Ycg direction, to the point at the lower edge (520) of the face (500). Thus, the SSRFB leading edge offset (1322) may vary along the length of the SSRFB leading edge (1320), or it may be constant if the curvature of SSRFB leading edge (1320) matches the curvature of the lower edge (520) of the face (500). Nonetheless, there will always be a minimum SSRFB leading edge offset (1322) at the point along the SSRFB leading edge (1320) that is the closest to the corresponding point directly in front of it on the face lower edge (520), and there will be a maximum SSRFB leading edge offset (1322) at the point along the SSRFB leading edge (1320) that is the farthest from the corresponding point directly in front of it on the face lower edge (520). Generally, the maximum CSRFB leading edge offset (1122) and the maximum SSRFB leading edge offset (1322) will be less than seventy-five percent of the face height. For the purposes of this application and ease of definition, the face top edge (510) is the series of points along the top of the face (500) at which the vertical face roll becomes less than one inch, and similarly the face lower edge (520) is the series of points along the bottom of the face (500) at which the vertical face roll becomes less than one inch.

In this particular embodiment, the minimum CSRFB leading edge offset (1122) is less than the face height, while the minimum SSRFB leading edge offset (1322) is at least two percent of the face height. In an even further embodiment, the maximum CSRFB leading edge offset (1122) is also less than the face height. Yet another embodiment incorporates a minimum CSRFB leading edge offset (1122) that is at least ten percent of the face height, and the minimum CSRFB width (1140) is at least fifty percent of the minimum CSRFB leading edge offset (1122). A still further embodiment more narrowly defines the minimum CSRFB leading edge offset (1122) as being at least twenty percent of the face height.

Likewise, many embodiments are directed to advantageous relationships of the sole located SRF (1300). For instance, in one embodiment, the minimum SSRFB leading edge offset (1322) is at least ten percent of the face height, and the minimum SSRFB width (1340) is at least fifty percent of the minimum SSRFB leading edge offset (1322). Even further, another embodiment more narrowly defines the minimum SSRFB leading edge offset (1322) as being at least twenty percent of the face height.

Still further building upon the relationships among the CSRFB leading edge offset (1122), the SSRFB leading edge offset (1322), and the face height, one embodiment further includes an engineered impact point (EIP) having a Yeip coordinate such that the difference between Yeip and Ycg is less than 0.5 inches and greater than -0.5 inches; a Xeip coordinate such that the difference between Xeip and Xcg is less than 0.5 inches and greater than -0.5 inches; and a Zeip coordinate such that the total of Zeip and Zcg is less than 2.0 inches. These relationships among the location of the engineered impact point (EIP) and the location of the center of

gravity (CG) in combination with the leading edge locations of the crown located SRF (1100) and/or the sole located SRF (1300) promote stability at impact, while accommodating desirable deflection of the SRFs (1100, 1300) and the face (500), while also maintaining the durability of the club head (400) and reducing the peak stress experienced in the face (500).

While the location of the crown located SRF (1100) and/or the sole located SRF (1300) is important in achieving these objectives, the size of the crown located SRF (1100) and the sole located SRF (1300) also plays a role. In one particular long blade length embodiment directed to fairway wood type golf clubs and hybrid type golf clubs, illustrated in FIGS. 42 and 43, the golf club head (400) has a blade length (BL) of at least 3.0 inches with a heel blade length section (Abl) of at least 0.8 inches. In this embodiment, preferable results are obtained when the CSRFB length (1110) is at least as great as the heel blade length section (Abl) and the maximum CSRFB depth (1150) is at least ten percent of the Ycg distance, thereby permitting adequate compression and/or flexing of the crown located SRF (1100) to significantly reduce the stress on the face (500) at impact. Similarly, in some SSRFB embodiments, preferable results are obtained when the SSRFB length (1310) is at least as great as the heel blade length section (Abl) and the maximum SSRFB depth (1350) is at least ten percent of the Ycg distance, thereby permitting adequate compression and/or flexing of the sole located SRF (1300) to significantly reduce the stress on the face (500) at impact. It should be noted at this point that the cross-sectional profile of the crown located SRF (1100) and the sole mounted SRF (1300) may include any number of shapes including, but not limited to, a box-shape, as seen in FIG. 24, a smooth U-shape, as seen in FIG. 28, and a V-shape, as seen in FIG. 29. Further, the crown located SRF (1100) and the sole located SRF (1300) may include reinforcement areas as seen in FIGS. 40 and 41 to further selectively control the deformation of the SRFs (1100, 1300). Additionally, the CSRFB length (1110) and the SSRFB length (1310) are measured in the same direction as Xcg rather than along the curvature of the SRFs (1100, 1300), if curved.

The crown located SRF (1100) has a CSRFB wall thickness (1160) and sole located SRF (1300) has a SSRFB wall thickness (1360), as seen in FIG. 25. In most embodiments the CSRFB wall thickness (1160) and the SSRFB wall thickness (1360) will be at least 0.010 inches and no more than 0.150 inches. In particular embodiment has found that having the CSRFB wall thickness (1160) and the SSRFB wall thickness (1360) in the range of ten percent to sixty percent of the face thickness (530) achieves the required durability while still providing desired stress reduction in the face (500) and deflection of the face (500). Further, this range facilitates the objectives while not have a dilutive effect, nor overly increasing the weight distribution of the club head (400) in the vicinity of the SRFs (1100, 1300).

Further, the terms maximum CSRFB depth (1150) and maximum SSRFB depth (1350) are used because the depth of the crown located SRF (1100) and the depth of the sole located SRF (1300) need not be constant; in fact, they are likely to vary, as seen in FIGS. 32-35. Additionally, the end walls of the crown located SRF (1100) and the sole located SRF (1300) need not be distinct, as seen on the right and left side of the SRFs (1100, 1300) seen in FIG. 35, but may transition from the maximum depth back to the natural contour of the crown (600) or sole (700). The transition need not be smooth, but rather may be stepwise, compound, or any other geometry. In fact, the presence or absence of end

walls is not necessary in determining the bounds of the claimed golf club. Nonetheless, a criteria needs to be established for identifying the location of the CSRF toe-most point (1112), the CSRF heel-most point (1116), the SSRF toe-most point (1312), and the SSRF heel-most point (1316); thus, when not identifiable via distinct end walls, these points occur where a deviation from the natural curvature of the crown (600) or sole (700) is at least ten percent of the maximum CSRF depth (1150) or maximum SSRF depth (1350). In most embodiments a maximum CSRF depth (1150) and a maximum SSRF depth (1350) of at least 0.100 inches and no more than 0.500 inches is preferred.

The CSRF leading edge (1120) may be straight or may include a CSRF leading edge radius of curvature (1124), as seen in FIG. 36. Likewise, the SSRF leading edge (1320) may be straight or may include a SSRF leading edge radius of curvature (1324), as seen in FIG. 37. One particular embodiment incorporates both a curved CSRF leading edge (1120) and a curved SSRF leading edge (1320) wherein both the CSRF leading edge radius of curvature (1124) and the SSRF leading edge radius of curvature (1324) are within forty percent of the curvature of the bulge of the face (500). In an even further embodiment both the CSRF leading edge radius of curvature (1124) and the SSRF leading edge radius of curvature (1324) are within twenty percent of the curvature of the bulge of the face (500). These curvatures further aid in the controlled deflection of the face (500).

One particular embodiment, illustrated in FIGS. 32-35, has a CSRF depth (1150) that is less at the face centerline (FC) than at a point on the toe side (408) of the face centerline (FC) and at a point on the heel side (406) of the face centerline (FC), thereby increasing the potential deflection of the face (500) at the heel side (406) and the toe side (408), where the COR is generally lower than the USGA permitted limit. In another embodiment, the crown located SRF (1100) and/or the sole located SRF (1300) have reduced depth regions, namely a CSRF reduced depth region (1152) and a SSRF reduced depth region (1352), as seen in FIG. 35. Each reduced depth region is characterized as a continuous region having a depth that is at least twenty percent less than the maximum depth for the particular SRF (1100, 1300). The CSRF reduced depth region (1152) has a CSRF reduced depth length (1154) and the SSRF reduced depth region (1352) has a SSRF reduced depth length (1354). In one particular embodiment, each reduced depth length (1154, 1354) is at least fifty percent of the heel blade length section (Abl). A further embodiment has the CSRF reduced depth region (1152) and the SSRF reduced depth region (1352) approximately centered about the face centerline (FC), as seen in FIG. 35. Yet another embodiment incorporates a design wherein the CSRF reduced depth length (1154) is at least thirty percent of the CSRF length (1110), and/or the SSRF reduced depth length (1354) is at least thirty percent of the SSRF length (1310). In addition to aiding in achieving the objectives set out above, the reduced depth regions (1152, 1352) may improve the life of the SRFs (1100, 1300) and reduce the likelihood of premature failure, while increasing the COR at desirable locations on the face (500).

As seen in FIG. 25, the crown located SRF (1100) has a CSRF cross-sectional area (1170) and the sole located SRF (1300) has a SSRF cross-sectional area (1370). The cross-sectional areas are measured in cross-sections that run from the front portion (402) to the rear portion (404) of the club head (400) in a vertical plane. Just as the cross-sectional profiles (1190, 1390) of FIGS. 28 and 29 may change throughout the CSRF length (1110) and the SSRF length

(1310), the CSRF cross-sectional area (1170) and/or the SSRF cross-sectional area (1370) may also vary along the lengths (1110, 1310). In fact, in one particular embodiment, the CSRF cross-sectional area (1170) is less at the face centerline (FC) than at a point on the toe side (408) of the face centerline (FC) and a point on the heel side (406) of the face centerline (FC). Similarly, in another embodiment, the SSRF cross-sectional area (1370) is less at the face centerline (FC) than at a point on the toe side (408) of the face centerline (FC) and a point on the heel side (406) of the face centerline (FC); and yet a third embodiment incorporates both of the prior two embodiments related to the CSRF cross-sectional area (1170) and the SSRF cross-sectional area (1370). In one particular embodiment, the CSRF cross-sectional area (1170) and/or the SSRF cross-sectional area (1370) fall within the range of 0.005 square inches to 0.375 square inches. Additionally, the crown located SRF (1100) has a CSRF volume and the sole located SRF (1300) has a SSRF volume. In one embodiment the combined CSRF volume and SSRF volume is at least 0.5 percent of the club head volume and less than 10 percent of the club head volume, as this range facilitates the objectives while not have a dilutive effect, nor overly increasing the weight distribution of the club head (400) in the vicinity of the SRFs (1100, 1300). In yet another embodiment directed to single SRF variations, the individual volume of the CSRF volume or the SSRF volume is preferably at least 1 percent of the club head volume and less than 5 percent of the club head volume to facilitate the objectives while not have a dilutive effect, nor overly increasing the weight distribution of the club head (400) in the vicinity of the SRFs (1100, 1300). The volumes discussed above are not meant to limit the SRFs (1100, 1300) to being hollow channels, for instance the volumes discussed will still exist even if the SRFs (1100, 1300) are subsequently filled with a secondary material, as seen in FIG. 51, or covered, such that the volume is not visible to a golfer. The secondary material should be elastic, have a compressive strength less than half of the compressive strength of the outer shell, and a density less than 3 g/cm³.

Now, in another separate embodiment seen in FIGS. 36 and 37, a CSRF origin offset (1118) is defined as the distance from the origin point to the CSRF heel-most point (1116) in the same direction as the Xcg distance such that the CSRF origin offset (1118) is a positive value when the CSRF heel-most point (1116) is located toward the toe side (408) of the golf club head (400) from the origin point, and the CSRF origin offset (1118) is a negative value when the CSRF heel-most point (1116) is located toward the heel side (406) of the golf club head (400) from the origin point. Similarly, in this embodiment, a SSRF origin offset (1318) is defined as the distance from the origin point to the SSRF heel-most point (1316) in the same direction as the Xcg distance such that the SSRF origin offset (1318) is a positive value when the SSRF heel-most point (1316) is located toward the toe side (408) of the golf club head (400) from the origin point, and the SSRF origin offset (1318) is a negative value when the SSRF heel-most point (1316) is located toward the heel side (406) of the golf club head (400) from the origin point.

In one particular embodiment, seen in FIG. 37, the SSRF origin offset (1318) is a positive value, meaning that the SSRF heel-most point (1316) stops short of the origin point. Further, yet another separate embodiment is created by combining the embodiment illustrated in FIG. 36 wherein the CSRF origin offset (1118) is a negative value, in other words the CSRF heel-most point (1116) extends past the origin point, and the magnitude of the CSRF origin offset

(1118) is at least five percent of the heel blade length section (Abl). However, an alternative embodiment incorporates a CSRF heel-most point (1116) that does not extend past the origin point and therefore the CSRF origin offset (1118) is a positive value with a magnitude of at least five percent of the heel blade length section (Abl). In these particular embodiments, locating the CSRF heel-most point (1116) and the SSRF heel-most point (1316) such that they are no closer to the origin point than five percent of the heel blade length section (Abl) is desirable in achieving many of the objectives discussed herein over a wide range of ball impact locations.

Still further embodiments incorporate specific ranges of locations of the CSRF toe-most point (1112) and the SSRF toe-most point (1312) by defining a CSRF toe offset (1114) and a SSRF toe offset (1314), as seen in FIGS. 36 and 37. The CSRF toe offset (1114) is the distance measured in the same direction as the Xcg distance from the CSRF toe-most point (1112) to the most distant point on the toe side (408) of golf club head (400) in this direction, and likewise the SSRF toe offset (1314) is the distance measured in the same direction as the Xcg distance from the SSRF toe-most point (1312) to the most distant point on the toe side (408) of golf club head (400) in this direction. One particular embodiment found to produce preferred face stress distribution and compression and flexing of the crown located SRF (1100) and the sole located SRF (1300) incorporates a CSRF toe offset (1114) that is at least fifty percent of the heel blade length section (Abl) and a SSRF toe offset (1314) that is at least fifty percent of the heel blade length section (Abl). In yet a further embodiment the CSRF toe offset (1114) and the SSRF toe offset (1314) are each at least fifty percent of a golf ball diameter; thus, the CSRF toe offset (1114) and the SSRF toe offset (1314) are each at 0.84 inches. These embodiments also minimally affect the integrity of the club head (400) as a whole, thereby ensuring the desired durability, particularly at the heel side (406) and the toe side (408) while still allowing for improved face deflection during off center impacts.

Even more embodiments now turn the focus to the size of the crown located SRF (1100) and the sole located SRF (1300). One such embodiment has a maximum CSRF width (1140) that is at least ten percent of the Zcg distance, and the maximum SSRF width (1340) is at least ten percent of the Zcg distance, further contributing to increased stability of the club head (400) at impact. Still further embodiments increase the maximum CSRF width (1140) and the maximum SSRF width (1340) such that they are each at least forty percent of the Zcg distance, thereby promoting deflection and selectively controlling the peak stresses seen on the face (500) at impact. An alternative embodiment relates the maximum CSRF depth (1150) and the maximum SSRF depth (1350) to the face height rather than the Zcg distance as discussed above. For instance, yet another embodiment incorporates a maximum CSRF depth (1150) that is at least five percent of the face height, and a maximum SSRF depth (1350) that is at least five percent of the face height. An even further embodiment incorporates a maximum CSRF depth (1150) that is at least twenty percent of the face height, and a maximum SSRF depth (1350) that is at least twenty percent of the face height, again, promoting deflection and selectively controlling the peak stresses seen on the face (500) at impact. In most embodiments a maximum CSRF width (1140) and a maximum SSRF width (1340) of at least 0.0050 inches and no more than 0.750 inches is preferred.

Additional embodiments focus on the location of the crown located SRF (1100) and the sole located SRF (1300)

with respect to a vertical plane defined by the shaft axis (SA) and the Xcg direction. One such embodiment has recognized improved stability and lower peak face stress when the crown located SRF (1100) and/or the sole located SRF (1300) are located behind the shaft axis plane. Further embodiments additionally define this relationship. In one such embodiment, the CSRF leading edge (1120) is located behind the shaft axis plane a distance that is at least twenty percent of the Zcg distance. Yet another embodiment focuses on the location of the sole located SRF (1300) such that the SSRF leading edge (1320) is located behind the shaft axis plane a distance that is at least ten percent of the Zcg distance. An even further embodiment focusing on the crown located SRF (1100) incorporates a CSRF leading edge (1120) that is located behind the shaft axis plane a distance that is at least seventy-five percent of the Zcg distance. A similar embodiment directed to the sole located SRF (1300) has a SSRF leading edge (1320) that is located behind the shaft axis plane a distance that is at least seventy-five percent of the Zcg distance. Similarly, the locations of the CSRF leading edge (1120) and SSRF leading edge (1320) behind the shaft axis plane may also be related to the face height instead of the Zcg distance discussed above. For instance, in one embodiment, the CSRF leading edge (1120) is located a distance behind the shaft axis plane that is at least ten percent of the face height. A further embodiment focuses on the location of the sole located SRF (1300) such that the SSRF leading edge (1320) is located behind the shaft axis plane a distance that is at least five percent of the Zcg distance. An even further embodiment focusing on both the crown located SRF (1100) and the sole located SRF (1300) incorporates a CSRF leading edge (1120) that is located behind the shaft axis plane a distance that is at least fifty percent of the face height, and a SSRF leading edge (1320) that is located behind the shaft axis plane a distance that is at least fifty percent of the face height.

The club head (400) is not limited to a single crown located SRF (1100) and/or a single sole located SRF (1300). In fact, many embodiments incorporating multiple crown located SRFs (1100) and/or multiple sole located SRFs (1300) are illustrated in FIGS. 30, 31, and 39, showing that the multiple SRFs (1100, 1300) may be positioned beside one another in a heel-toe relationship, or may be positioned behind one another in a front-rear orientation. As such, one particular embodiment includes at least two crown located SRFs (1100) positioned on opposite sides of the engineered impact point (EIP) when viewed in a top plan view, as seen in FIG. 31, thereby further selectively increasing the COR and improving the peak stress on the face (500). Traditionally, the COR of the face (500) gets smaller as the measurement point is moved further away from the engineered impact point (EIP); and thus golfers that hit the ball toward the heel side (406) or toe side (408) of the a golf club head do not benefit from a high COR. As such, positioning of the two crown located SRFs (1100) seen in FIG. 30 facilitates additional face deflection for shots struck toward the heel side (406) or toe side (408) of the golf club head (400). Another embodiment, as seen in FIG. 31, incorporates the same principles just discussed into multiple sole located SRFs (1300).

The impact of a club head (400) and a golf ball may be simulated in many ways, both experimentally and via computer modeling. First, an experimental process will be explained because it is easy to apply to any golf club head and is free of subjective considerations. The process involves applying a force to the face (500) distributed over

a 0.6 inch diameter centered about the engineered impact point (EIP). A force of 4000 lbf is representative of an approximately 100 mph impact between a club head (400) and a golf ball, and more importantly it is an easy force to apply to the face and reliably reproduce. The club head boundary condition consists of fixing the rear portion (404) of the club head (400) during application of the force. In other words, a club head (400) can easily be secured to a fixture within a material testing machine and the force applied. Generally, the rear portion (404) experiences almost no load during an actual impact with a golf ball, particularly as the “front-to-back” dimension (FB) increases. The peak deflection of the face (500) under the force is easily measured and is very close to the peak deflection seen during an actual impact, and the peak deflection has a linear correlation to the COR. A strain gauge applied to the face (500) can measure the actual stress. This experimental process takes only minutes to perform and a variety of forces may be applied to any club head (400); further, computer modeling of a distinct load applied over a certain area of a club face (500) is much quicker to simulate than an actual dynamic impact.

A graph of displacement versus load is illustrated in FIG. 44 for a club head having no stress reducing feature (1000), a club head (400) having only a sole located SRF (1300), and a club head (400) having both a crown located SRF (1100) and a sole located SRF (1300), at the following loads of 1000 lbf, 2000 lbf, 3000 lbf, and 4000 lbf, all of which are distributed over a 0.6 inch diameter area centered on the engineered impact point (EIP). The face thickness (530) was held a constant 0.090 inches for each of the three club heads. Incorporation of a crown located SRF (1100) and a sole located SRF (1300) as described herein increases face deflection by over 11% at the 4000 lbf load level, from a value of 0.027 inches to 0.030 inches. In one particular embodiment, the increased deflection resulted in an increase in the characteristic time (CT) of the club head from 187 microseconds to 248 microseconds. A graph of peak face stress versus load is illustrated in FIG. 45 for the same three variations just discussed with respect to FIG. 44. FIG. 45 nicely illustrates that incorporation of a crown located SRF (1100) and a sole located SRF (1300) as described herein reduces the peak face stress by almost 25% at the 4000 lbf load level, from a value of 170.4 ksi to 128.1 ksi. The stress reducing feature (1000) permits the use of a very thin face (500) without compromising the integrity of the club head (400). In fact, the face thickness (530) may vary from 0.050 inches, up to 0.120 inches.

Combining the information seen in FIGS. 44 and 45, a new ratio may be developed; namely, a stress-to-deflection ratio of the peak stress on the face to the displacement at a given load, as seen in FIG. 46. In one embodiment, the stress-to-deflection ratio is less than 5000 ksi per inch of deflection, wherein the approximate impact force is applied to the face (500) over a 0.6 inch diameter, centered on the engineered impact point (EIP), and the approximate impact force is at least 1000 lbf and no more than 4000 lbf, the club head volume is less than 300 cc, and the face thickness (530) is less than 0.120 inches. In yet a further embodiment, the face thickness (530) is less than 0.100 inches and the stress-to-deflection ratio is less than 4500 ksi per inch of deflection; while an even further embodiment has a stress-to-deflection ratio that is less than 4300 ksi per inch of deflection.

In addition to the unique stress-to-deflection ratios just discussed, one embodiment of the present invention further includes a face (500) having a characteristic time of at least

220 microseconds and the head volume is less than 200 cubic centimeters. Even further, another embodiment goes even further and incorporates a face (500) having a characteristic time of at least 240 microseconds, a head volume that is less than 170 cubic centimeters, a face height between the maximum top edge height (TEH) and the minimum lower edge (LEH) that is less than 1.50 inches, and a vertical roll radius between 7 inches and 13 inches, which further increases the difficulty in obtaining such a high characteristic time, small face height, and small volume golf club head.

Those skilled in the art know that the characteristic time, often referred to as the CT, value of a golf club head is limited by the equipment rules of the United States Golf Association (USGA). The rules state that the characteristic time of a club head shall not be greater than 239 microseconds, with a maximum test tolerance of 18 microseconds. Thus, it is common for golf clubs to be designed with the goal of a 239 microsecond CT, knowing that due to manufacturing variability that some of the heads will have a CT value higher than 239 microseconds, and some will be lower. However, it is critical that the CT value does not exceed 257 microseconds or the club will not conform to the USGA rules. The USGA publication “Procedure for Measuring the Flexibility of a Golf Clubhead,” Revision 2.0, Mar. 25, 2005, is the current standard that sets forth the procedure for measuring the characteristic time.

With reference now to FIGS. 47-49, another embodiment of the crown located SRF (1100) may include a CSRF aperture (1200) recessed from the crown (600) and extending through the outer shell. As seen in FIG. 49, the CSRF aperture (1200) is located at a CSRF aperture depth (1250) measured vertically from the top edge height (TEH) toward the center of gravity (CG), keeping in mind that the top edge height (TEH) varies across the face (500) from the heel side (406) to the toe side (408). Therefore, as illustrated in FIG. 49, to determine the CSRF aperture depth (1250) one must first take a section in the front-to-rear direction of the club head (400), which establishes the top edge height (TEH) at this particular location on the face (500) that is then used to determine the CSRF aperture depth (1250) at this particular location along the CSRF aperture (1200). For instance, as seen in FIG. 47, the section that is illustrated in FIG. 49 is taken through the center of gravity (CG) location, which is just one of an infinite number of sections that can be taken between the origin and the toewardmost point on the club head (400). Just slightly to the left of the center of gravity (CG) in FIG. 47 is a line representing the face center (FC), if a section such as that of FIG. 49 were taken along the face center (FC) it would illustrate that the top edge height (TEH) is generally the greatest at this point.

At least a portion of the CSRF aperture depth (1250) is greater than zero. This means that at some point along the CSRF aperture (1200), the CSRF aperture (1200) will be located below the elevation of the top of the face (400) directly in front of the point at issue, as illustrated in FIG. 49. In one particular embodiment the CSRF aperture (1200) has a maximum CSRF aperture depth (1250) that is at least ten percent of the Ycg distance. An even further embodiment incorporates a CSRF aperture (1200) that has a maximum CSRF aperture depth (1250) that is at least fifteen percent of the Ycg distance. Incorporation of a CSRF aperture depth (1250) that is greater than zero, and in some embodiments greater than a certain percentage of the Ycg distance, preferably reduces the stress in the face (500) when impacting a golf ball while accommodating temporary flexing and deformation of the crown located SRF (1100) in a stable manner

in relation to the CG location, engineered impact point (EIP), and/or outer shell, while maintaining the durability of the face (500) and the crown (600).

The CSRF aperture (1200) has a CSRF aperture width (1240) separating a CSRF leading edge (1220) from a CSRF aperture trailing edge (1230), again measured in a front-to-rear direction as seen in FIG. 49. In one embodiment the CSRF aperture (1200) has a maximum CSRF aperture width (1240) that is at least twenty-five percent of the maximum CSRF aperture depth (1250) to allow preferred flexing and deformation while maintaining durability and stability upon repeated impacts with a golf ball. An even further variation achieves these goals by maintaining a maximum CSRF aperture width (1240) that is less than maximum CSRF aperture depth (1250). In yet another embodiment the CSRF aperture (1200) also has a maximum CSRF aperture width (1240) that is at least fifty percent of a minimum face thickness (530), while optionally also being less than the maximum face thickness (530).

In furtherance of these desirable properties, the CSRF aperture (1200) has a CSRF aperture length (1210) between a CSRF aperture toe-most point (1212) and a CSRF aperture heel-most point (1216) that is at least fifty percent of the Xcg distance. In yet another embodiment the CSRF aperture length (1210) is at least as great as the heel blade length section (Abl), or even further in another embodiment in which the CSRF aperture length (1210) is also at least fifty percent of the blade length (BL).

Referring again to FIG. 49, the CSRF aperture leading edge (1220) has a CSRF aperture leading edge offset (1222). In one embodiment preferred flexing and deformation occur, while maintaining durability, when the minimum CSRF aperture leading edge offset (1222) is at least ten percent of the difference between the maximum top edge height (TEH) and the minimum lower edge height (LEH). Even further, another embodiment has found preferred characteristics when the minimum CSRF aperture leading edge offset (1222) at least twenty percent of the difference between the maximum top edge height (TEH) and the minimum lower edge height (LEH), and optionally when the maximum CSRF aperture leading edge offset (1222) less than seventy-five percent of the difference between the maximum top edge height (TEH) and the minimum lower edge height (LEH).

Again with reference now to FIGS. 47-49 but now turning our attention to the sole located SRF (1300), an embodiment of the sole located SRF (1300) may include a SSRF aperture (1400) recessed from the sole (700) and extending through the outer shell. As seen in FIG. 49, the SSRF aperture (1400) is located at a SSRF aperture depth (1450) measured vertically from the leading edge height (LEH) toward the center of gravity (CG), keeping in mind that the leading edge height (LEH) varies across the face (500) from the heel side (406) to the toe side (408). Therefore, as illustrated in FIG. 49, to determine the SSRF aperture depth (1450) one must first take a section in the front-to-rear direction of the club head (400), which establishes the leading edge height (LEH) at this particular location on the face (500) that is then used to determine the SSRF aperture depth (1450) at this particular location along the SSRF aperture (1400). For instance, as seen in FIG. 47, the section that is illustrated in FIG. 49 is taken through the center of gravity (CG) location, which is just one of an infinite number of sections that can be taken between the origin and the toewardmost point on the club head (400). Just slightly to the left of the center of gravity (CG) in FIG. 47 is a line representing the face center (FC), if a section such as that of FIG. 49 were taken along

the face center (FC) it would illustrate that the leading edge height (LEH) is generally the least at this point.

At least a portion of the SSRF aperture depth (1450) is greater than zero. This means that at some point along the SSRF aperture (1400), the SSRF aperture (1400) will be located above the elevation of the bottom of the face (400) directly in front of the point at issue, as illustrated in FIG. 49. In one particular embodiment the SSRF aperture (1400) has a maximum SSRF aperture depth (1450) that is at least ten percent of the Ycg distance. An even further embodiment incorporates a SSRF aperture (1400) that has a maximum SSRF aperture depth (1450) that is at least fifteen percent of the Ycg distance. Incorporation of a SSRF aperture depth (1450) that is greater than zero, and in some embodiments greater than a certain percentage of the Ycg distance, preferably reduces the stress in the face (500) when impacting a golf ball while accommodating temporary flexing and deformation of the sole located SRF (1300) in a stable manner in relation to the CG location, engineered impact point (EIP), and/or outer shell, while maintaining the durability of the face (500) and the sole (700).

The SSRF aperture (1400) has a SSRF aperture width (1420) separating a SSRF leading edge (1420) from a SSRF aperture trailing edge (1430), again measured in a front-to-rear direction as seen in FIG. 49. In one embodiment the SSRF aperture (1400) has a maximum SSRF aperture width (1440) that is at least twenty-five percent of the maximum SSRF aperture depth (1450) to allow preferred flexing and deformation while maintaining durability and stability upon repeated impacts with a golf ball. An even further variation achieves these goals by maintaining a maximum SSRF aperture width (1440) that is less than maximum SSRF aperture depth (1450). In yet another embodiment the SSRF aperture (1400) also has a maximum SSRF aperture width (1440) that is at least fifty percent of a minimum face thickness (530), while optionally also being less than the maximum face thickness (530).

In furtherance of these desirable properties, the SSRF aperture (1400) has a SSRF aperture length (1410) between a SSRF aperture toe-most point (1412) and a SSRF aperture heel-most point (1416) that is at least fifty percent of the Xcg distance. In yet another embodiment the SSRF aperture length (1410) is at least as great as the heel blade length section (Abl), or even further in another embodiment in which the SSRF aperture length (1410) is also at least fifty percent of the blade length (BL).

Referring again to FIG. 49, the SSRF aperture leading edge (1420) has a SSRF aperture leading edge offset (1422). In one embodiment preferred flexing and deformation occur, while maintaining durability, when the minimum SSRF aperture leading edge offset (1422) is at least ten percent of the difference between the maximum top edge height (TEH) and the minimum lower edge height (LEH). Even further, another embodiment has found preferred characteristics when the minimum SSRF aperture leading edge offset (1422) at least twenty percent of the difference between the maximum top edge height (TEH) and the minimum lower edge height (LEH), and optionally when the maximum SSRF aperture leading edge offset (1422) less than seventy-five percent of the difference between the maximum top edge height (TEH) and the minimum lower edge height (LEH).

As previously discussed, the SRFs (1100, 1300) may be subsequently filled with a secondary material, as seen in FIG. 51, or covered, such that the volume is not visible to a golfer, similarly, the apertures (1200, 1400) may be covered or filled so that they are not noticeable to a user, and so that

material and moisture is not unintentionally introduced into the interior of the club head. In other words, one need not be able to view the inside of the club head through the aperture (1200, 1400) in order for the aperture (1200, 1400) to exist. The apertures (1200, 1400) may be covered by a badge extending over the apertures (1200, 1400), or a portion of such cover may extend into the apertures (1200, 1400), as seen in FIG. 52. If a portion of the cover extends into the aperture (1200, 1400) then that portion should be compressible and have a compressive strength that is less than fifty percent of the compressive strength of the outer shell. A badge extending over the aperture (1200, 1400) may be attached to the outer shell on only one side of the aperture (1200, 1400), or on both sides of the aperture (1200, 1400) if the badge is not rigid or utilizes non-rigid connection methods to secure the badge to the outer shell.

The size, location, and configuration of the CSRFB aperture (1200) and the SSRFB aperture (1400) are selected to preferably reduce the stress in the face (500) when impacting a golf ball while accommodating temporary flexing and deformation of the crown located SRF (1100) and sole located SRF (1300) in a stable manner in relation to the CG location, and/or origin point, while maintaining the durability of the face (500), the crown (600), and the sole (700). While the generally discussed apertures (1200, 1400) of FIGS. 47-49 are illustrated in the bottom wall of the SRF's (1100, 1300), the apertures (1200, 1400) may be located at other locations in the SRF's (1100, 1300) including the front wall as seen in the CSRFB aperture (1100) of FIG. 50 and both the CSRFB aperture (1200) and SSRFB aperture (1400) of FIG. 53, as well as the rear wall as seen in the SSRFB aperture (1400) of FIG. 50.

As previously explained, the golf club head (100) has a blade length (BL) that is measured horizontally from the origin point toward the toe side of the golf club head a distance that is parallel to the face and the ground plane (GP) to the most distant point on the golf club head in this direction. In one particular embodiment, the golf club head (100) has a blade length (BL) of at least 3.1 inches, a heel blade length section (Abl) is at least 1.1 inches, and a club moment arm (CMA) of less than 1.3 inches, thereby producing a long blade length golf club having reduced face stress, and improved characteristic time qualities, while not being burdened by the deleterious effects of having a large club moment arm (CMA), as is common in oversized fairway woods. The club moment arm (CMA) has a significant impact on the ball flight of off-center hits. Importantly, a shorter club moment arm (CMA) produces less variation between shots hit at the engineered impact point (EIP) and off-center hits. Thus, a golf ball struck near the heel or toe of the present invention will have launch conditions more similar to a perfectly struck shot. Conversely, a golf ball struck near the heel or toe of an oversized fairway wood with a large club moment arm (CMA) would have significantly different launch conditions than a ball struck at the engineered impact point (EIP) of the same oversized fairway wood. Generally, larger club moment arm (CMA) golf clubs impart higher spin rates on the golf ball when perfectly struck in the engineered impact point (EIP) and produce larger spin rate variations in off-center hits. Therefore, yet another embodiment incorporate a club moment arm (CMA) that is less than 1.1 inches resulting in a golf club with more efficient launch conditions including a lower ball spin rate per degree of launch angle, thus producing a longer ball flight.

Conventional wisdom regarding increasing the Z_{cg} value to obtain club head performance has proved to not recognize

that it is the club moment arm (CMA) that plays a much more significant role in golf club performance and ball flight. Controlling the club moments arm (CMA), along with the long blade length (BL), long heel blade length section (Abl), while improving the club head's ability to distribute the stresses of impact and thereby improving the characteristic time across the face, particularly off-center impacts, yields launch conditions that vary significantly less between perfect impacts and off-center impacts than has been seen in the past. In another embodiment, the ratio of the golf club head front-to-back dimension (FB) to the blade length (BL) is less than 0.925, as seen in FIGS. 6 and 13. In this embodiment, the limiting of the front-to-back dimension (FB) of the club head (100) in relation to the blade length (BL) improves the playability of the club, yet still achieves the desired high improvements in characteristic time, face deflection at the heel and toe sides, and reduced club moment arm (CMA). The reduced front-to-back dimension (FB), and associated reduced Z_{cg} , of the present invention also significantly reduces dynamic lofting of the golf club head. Increasing the blade length (BL) of a fairway wood, while decreasing the front-to-back dimension (FB) and incorporating the previously discussed characteristics with respect to the stress reducing feature (1000), minimum heel blade length section (Abl), and maximum club moment arm (CMA), produces a golf club head that has improved playability that would not be expected by one practicing conventional design principles. In yet a further embodiment a unique ratio of the heel blade length section (Abl) to the golf club head front-to-back dimension (FB) has been identified and is at least 0.32. Yet another embodiment incorporates a ratio of the club moment arm (CMA) to the heel blade length section (Abl). In this embodiment the ratio of club moment arm (CMA) to the heel blade length section (Abl) is less than 0.9. Still a further embodiment uniquely characterizes the present fairway wood golf club head with a ratio of the heel blade length section (Abl) to the blade length (BL) that is at least 0.33. A further embodiment has recognized highly beneficial club head performance regarding launch conditions when the transfer distance (TD) is at least 10 percent greater than the club moment arm (CMA). Even further, a particularly effective range for fairway woods has been found to be when the transfer distance (TD) is 10 percent to 40 percent greater than the club moment arm (CMA). This range ensures a high face closing moment (MOI_{fc}) such that bringing club head square at impact feels natural and takes advantage of the beneficial impact characteristics associated with the short club moment arm (CMA) and CG location.

Referring now to FIG. 10, in one embodiment it was found that a particular relationship between the top edge height (TEH) and the Y_{cg} distance further promotes desirable performance and feel. In this embodiment a preferred ratio of the Y_{cg} distance to the top edge height (TEH) is less than 0.40; while still achieving a long blade length of at least 3.1 inches, including a heel blade length section (Abl) that is at least 1.1 inches, a club moment arm (CMA) of less than 1.1 inches, and a transfer distance (TD) of at least 1.2 inches, wherein the transfer distance (TD) is between 10 percent to 40 percent greater than the club moment arm (CMA). This ratio ensures that the CG is below the engineered impact point (EIP), yet still ensures that the relationship between club moment arm (CMA) and transfer distance (TD) are achieved with club head design having a stress reducing feature (1000), a long blade length (BL), and long heel blade length section (Abl). As previously mentioned, as the CG elevation decreases the club moment arm (CMA) increases by definition, thereby again requiring particular attention to

maintain the club moment arm (CMA) at less than 1.1 inches while reducing the Ycg distance, and a significant transfer distance (TD) necessary to accommodate the long blade length (BL) and heel blade length section (Abl). In an even further embodiment, a ratio of the Ycg distance to the top edge height (TEH) of less than 0.375 has produced even more desirable ball flight properties. Generally the top edge height (TEH) of fairway wood golf clubs is between 1.1 inches and 2.1 inches.

In fact, most fairway wood type golf club heads fortunate to have a small Ycg distance are plagued by a short blade length (BL), a small heel blade length section (Abl), and/or long club moment arm (CMA). With reference to FIG. 3, one particular embodiment achieves improved performance with the Ycg distance less than 0.65 inches, while still achieving a long blade length of at least 3.1 inches, including a heel blade length section (Abl) that is at least 1.1 inches, a club moment arm (CMA) of less than 1.1 inches, and a transfer distance (TD) of at least 1.2 inches, wherein the transfer distance (TD) is between 10 percent to 40 percent greater than the club moment arm (CMA). As with the prior disclosure, these relationships are a delicate balance among many variables, often going against traditional club head design principles, to obtain desirable performance. Still further, another embodiment has maintained this delicate balance of relationships while even further reducing the Ycg distance to less than 0.60 inches.

As previously touched upon, in the past the pursuit of high MOIy fairway woods led to oversized fairway woods attempting to move the CG as far away from the face of the club, and as low, as possible. With reference again to FIG. 8, this particularly common strategy leads to a large club moment arm (CMA), a variable that the present embodiment seeks to reduce. Further, one skilled in the art will appreciate that simply lowering the CG in FIG. 8 while keeping the Zcg distance, seen in FIGS. 2 and 6, constant actually increases the length of the club moment arm (CMA). The present invention is maintaining the club moment arm (CMA) at less than 1.1 inches to achieve the previously described performance advantages, while reducing the Ycg distance in relation to the top edge height (TEH); which effectively means that the Zcg distance is decreasing and the CG position moves toward the face, contrary to many conventional design goals.

As explained throughout, the relationships among many variables play a significant role in obtaining the desired performance and feel of a golf club. One of these important relationships is that of the club moment arm (CMA) and the transfer distance (TD). One particular embodiment has a club moment arm (CMA) of less than 1.1 inches and a transfer distance (TD) of at least 1.2 inches; however in a further particular embodiment this relationship is even further refined resulting in a fairway wood golf club having a ratio of the club moment arm (CMA) to the transfer distance (TD) that is less than 0.75, resulting in particularly desirable performance. Even further performance improvements have been found in an embodiment having the club moment arm (CMA) at less than 1.0 inch, and even more preferably, less than 0.95 inches. A somewhat related embodiment incorporates a mass distribution that yields a ratio of the Xcg distance to the Ycg distance of at least two.

A further embodiment achieves a Ycg distance of less than 0.65 inches, thereby requiring a very light weight club head shell so that as much discretionary mass as possible may be added in the sole region without exceeding normally acceptable head weights, as well as maintaining the necessary durability. In one particular embodiment this is accom-

plished by constructing the shell out of a material having a density of less than 5 g/cm³, such as titanium alloy, non-metallic composite, or thermoplastic material, thereby permitting over one-third of the final club head weight to be discretionary mass located in the sole of the club head. One such nonmetallic composite may include composite material such as continuous fiber pre-preg material (including thermosetting materials or thermoplastic materials for the resin). In yet another embodiment the discretionary mass is composed of a second material having a density of at least 15 g/cm³, such as tungsten. An even further embodiment obtains a Ycg distance is less than 0.55 inches by utilizing a titanium alloy shell and at least 80 grams of tungsten discretionary mass, all the while still achieving a ratio of the Ycg distance to the top edge height (TEH) is less than 0.40, a blade length (BL) of at least 3.1 inches with a heel blade length section (Abl) that is at least 1.1 inches, a club moment arm (CMA) of less than 1.1 inches, and a transfer distance (TD) of at least 1.2 inches.

A further embodiment recognizes another unusual relationship among club head variables that produces a fairway wood type golf club exhibiting exceptional performance and feel. In this embodiment it has been discovered that a heel blade length section (Abl) that is at least twice the Ycg distance is desirable from performance, feel, and aesthetics perspectives. Even further, a preferable range has been identified by appreciating that performance, feel, and aesthetics get less desirable as the heel blade length section (Abl) exceeds 2.75 times the Ycg distance. Thus, in this one embodiment the heel blade length section (Abl) should be 2 to 2.75 times the Ycg distance.

Similarly, a desirable overall blade length (BL) has been linked to the Ycg distance. In yet another embodiment preferred performance and feel is obtained when the blade length (BL) is at least 6 times the Ycg distance. Such relationships have not been explored with conventional golf clubs because exceedingly long blade lengths (BL) would have resulted. Even further, a preferable range has been identified by appreciating that performance and feel become less desirable as the blade length (BL) exceeds 7 times the Ycg distance. Thus, in this one embodiment the blade length (BL) should be 6 to 7 times the Ycg distance.

Just as new relationships among blade length (BL) and Ycg distance, as well as the heel blade length section (Abl) and Ycg distance, have been identified; another embodiment has identified relationships between the transfer distance (TD) and the Ycg distance that produce a particularly playable golf club. One embodiment has achieved preferred performance and feel when the transfer distance (TD) is at least 2.25 times the Ycg distance. Even further, a preferable range has been identified by appreciating that performance and feel deteriorate when the transfer distance (TD) exceeds 2.75 times the Ycg distance. Thus, in yet another embodiment the transfer distance (TD) should be within the relatively narrow range of 2.25 to 2.75 times the Ycg distance for preferred performance and feel.

All the ratios used in defining embodiments of the present invention involve the discovery of unique relationships among key club head engineering variables that are inconsistent with merely striving to obtain a high MOIy or low CG using conventional golf club head design wisdom. Numerous alterations, modifications, and variations of the preferred embodiments disclosed herein will be apparent to those skilled in the art and they are all anticipated and contemplated to be within the spirit and scope of the instant invention. Further, although specific embodiments have been described in detail, those with skill in the art will

understand that the preceding embodiments and variations can be modified to incorporate various types of substitute and/or additional or alternative materials, relative arrangement of elements, and dimensional configurations. Accordingly, even though only few variations of the present invention are described herein, it is to be understood that the practice of such additional modifications and variations and the equivalents thereof, are within the spirit and scope of the invention as defined in the following claims.

We claim:

1. An iron-type golf club head (400) comprising:
 - (i) a face (500) positioned at a front portion (402) of the golf club head (400) where the golf club head (400) impacts a golf ball, opposite a rear portion (404) of the golf club head (400), wherein the face (500) has a characteristic time of at least 220 microseconds and includes an engineered impact point (EIP), a face height, a top edge height (TEH), and a lower edge height (LEH), wherein the face (500) has a blade length (BL) measured horizontally from an origin point toward a toe side (408) of the golf club head (400) to the most distant point on the golf club head (400) in this direction, wherein the blade length (BL) includes a toe blade length section (Bbl) and a heel blade length section (Abl) measured in the same direction as the blade length (BL) from the origin point to the engineered impact point (EIP);
 - (ii) a sole (700) positioned at a bottom portion of the golf club head (400);
 - (iii) a bore having a center that defines a shaft axis (SA) which intersects with a horizontal ground plane (GP) to define the origin point, wherein the bore is located at a heel side (406) of the golf club head (400), and wherein the toe side (408) of the golf club head (400) is located opposite of the heel side (406);
 - (iv) a center of gravity (CG) located:
 - (a) vertically from the origin point a distance Ycg;
 - (b) horizontally from the origin point toward the toe side (408) of the golf club head (400) a distance Xcg; and
 - (c) a distance Zcg from the origin toward the rear portion (404) in a direction generally orthogonal to the vertical direction used to measure Ycg and generally orthogonal to the horizontal direction used to measure Xcg; and
 - (v) a stress reducing feature (1000) including a sole located SRF (1300) located at least partially on the sole (700), wherein the sole located SRF (1300) has a SSRF length (1310) that is at least as great as the heel blade length section (Abl), a SSRF leading edge (1320) having a SSRF leading edge offset (1322), a SSRF width (1340), a SSRF depth (1350), and a SSRF front wall spaced away from a rear surface of the face (500), wherein at least one point along the SSRF length (1310) has the SSRF depth (1350) of at least ten percent of the Ycg distance and at least a portion of the SSRF leading edge (1320) is located behind a plane defined by the shaft axis (SA) and the Xcg direction.
2. The iron-type golf club head (400) of claim 1, wherein at least one point along the SSRF length (1310) has the SSRF width (1340) of at least ten percent of the Zcg distance and a ratio of the Ycg distance to the top edge height is less than 0.40.
3. The iron-type golf club head (400) of claim 1, wherein the sole located SRF (1300) has a SSRF cross-sectional area (1370), and the SSRF cross-sectional area (1370) is not constant over the SSRF length (1310).

4. The iron-type golf club head (400) of claim 1, wherein at least one point along the SSRF length (1310) has the SSRF depth (1350) of at least at least twenty percent of the face height.

5. The iron-type golf club head (400) of claim 1, wherein the sole located SRF (1300) has a SSRF aperture (1400) recessed from the sole (700) and extending through a portion of the sole located SRF (1300), wherein the SSRF aperture (1400) is located at a SSRF aperture depth (1450) measured vertically from the lower edge height (LEH) toward the center of gravity (CG), wherein at least one point of the SSRF aperture (1400) has the SSRF aperture depth (1450) of at least ten percent of the Ycg distance, and the SSRF aperture (1400) has a SSRF aperture length (1410), and a SSRF aperture width (1440).

6. The iron-type golf club head (400) of claim 5, the SSRF aperture length (1410) is at least fifty percent of the Xcg distance.

7. The iron-type golf club head (400) of claim 6, the SSRF aperture length (1410) is at least as great as the heel blade length section (Abl).

8. The iron-type golf club head (400) of claim 5, wherein at least one point of the SSRF aperture (1400) has the SSRF aperture depth (1450) of at least fifteen percent of the Ycg distance.

9. The iron-type golf club head (400) of claim 5, wherein at least one point of the SSRF aperture (1400) has a SSRF aperture width (1440) that is at least fifty percent of a minimum face thickness (530).

10. The iron-type golf club head (400) of claim 9, wherein the SSRF aperture (1400) has a maximum SSRF aperture width (1440) that is less than the maximum face thickness (530).

11. The iron-type golf club head (400) of claim 5, wherein at least one point of the SSRF aperture (1400) has the SSRF aperture width (1440) of at least twenty-five percent of the maximum SSRF aperture depth (1450).

12. The iron-type golf club head (400) of claim 5, wherein the maximum SSRF aperture width (1440) is less than the maximum SSRF aperture depth (1450).

13. The iron-type golf club head (400) of claim 5, wherein the SSRF aperture (1400) is located in the SSRF front wall.

14. The iron-type golf club head (400) of claim 5, wherein stress reducing feature (1000) has a SSRF bottom wall and the SSRF aperture (1400) is located in the SSRF bottom wall.

15. The iron-type golf club head (400) of claim 5, wherein stress reducing feature (1000) has a SSRF rear wall and the SSRF aperture (1400) is located in the SSRF rear wall.

16. An iron-type golf club head (400) comprising:

- (i) a face (500) positioned at a front portion (402) of the golf club head (400) where the golf club head (400) impacts a golf ball, opposite a rear portion (404) of the golf club head (400), wherein the face (500) has a characteristic time of at least 220 microseconds and includes an engineered impact point (EIP), a face height, a top edge height (TEH), and a lower edge height (LEH), wherein the face (500) has a blade length (BL) measured horizontally from an origin point toward a toe side (408) of the golf club head (400) to the most distant point on the golf club head (400) in this direction, wherein the blade length (BL) includes a toe blade length section (Bbl) and a heel blade length section (Abl) measured in the same direction as the blade length (BL) from the origin point to the engineered impact point (EIP);

- (ii) a sole (700) positioned at a bottom portion of the golf club head (400);
- (iii) a bore having a center that defines a shaft axis (SA) which intersects with a horizontal ground plane (GP) to define the origin point, wherein the bore is located at a heel side (406) of the golf club head (400), and wherein the toe side (408) of the golf club head (400) is located opposite of the heel side (406);
- (iv) a center of gravity (CG) located:
 - (a) vertically from the origin point a distance Ycg;
 - (b) horizontally from the origin point toward the toe side (408) of the golf club head (400) a distance Xcg; and
 - (c) a distance Zcg from the origin toward the rear portion (404) in a direction generally orthogonal to the vertical direction used to measure Ycg and generally orthogonal to the horizontal direction used to measure Xcg;
- (v) a stress reducing feature (1000) including a sole located SRF (1300) located at least partially on the sole (700), wherein the sole located SRF (1300) has a SSRF length (1310) that is at least as great as the heel blade length section (Abl), a SSRF leading edge (1320) having a SSRF leading edge offset (1322), a SSRF width (1340), and a SSRF depth (1350), wherein at least one point along the SSRF length (1310) has the SSRF width (1340) of at least ten percent of the Zcg distance; and
- (vi) the sole located SRF (1300) has a SSRF aperture (1400) extending through a portion of the sole located

- SRF (1300), spaced away from a rear surface of the face (500), and in communication with a closed internal volume, wherein the SSRF aperture (1400) has a SSRF aperture length (1410) of at least fifty percent of the Xcg distance, and a SSRF aperture width (1440), wherein the SSRF aperture width (1440) of at least a portion of the SSRF aperture (1400) is at least fifty percent of a minimum face thickness (530).
- 17. The iron-type golf club head (400) of claim 16, wherein at least a portion of the SSRF leading edge (1320) is located behind a plane defined by the shaft axis (SA) and the Xcg direction.
 - 18. The iron-type golf club head (400) of claim 16, wherein at least one point along the SSRF length (1310) has the SSRF depth (1350) of at least ten percent of the Ycg distance.
 - 19. The iron-type golf club head (400) of claim 16, wherein the SSRF aperture (1400) is recessed from the sole (700) and located at a SSRF aperture depth (1450) measured vertically from the lower edge height (LEH) toward the center of gravity (CG), wherein at least one point of the SSRF aperture (1400) has the SSRF aperture depth (1450) of at least ten percent of the Ycg distance.
 - 20. The iron-type golf club head (400) of claim 16, wherein the SSRF aperture (1400) has a maximum SSRF aperture width (1440) that is less than the maximum face thickness (530).

* * * * *