



US012005322B2

(12) **United States Patent**
Greaney et al.

(10) **Patent No.:** **US 12,005,322 B2**

(45) **Date of Patent:** ***Jun. 11, 2024**

(54) **GOLF CLUB**

(71) Applicant: **Taylor Made Golf Company, Inc.**,
Carlsbad, CA (US)

(72) Inventors: **Mark Vincent Greaney**, Vista, CA
(US); **Andrew Kickertz**, San Diego,
CA (US); **Todd P. Beach**, Encinitas,
CA (US); **Craig Richard Slyfield**, San
Diego, CA (US)

(73) Assignee: **TAYLOR MADE GOLF COMPANY,
INC.**, Carlsbad, CA (US)

(*) Notice: Subject to any disclaimer, the term of this
patent is extended or adjusted under 35
U.S.C. 154(b) by 135 days.

This patent is subject to a terminal dis-
claimer.

(21) Appl. No.: **17/695,194**

(22) Filed: **Mar. 15, 2022**

(65) **Prior Publication Data**

US 2022/0212069 A1 Jul. 7, 2022

Related U.S. Application Data

(63) Continuation of application No. 16/352,537, filed on
Mar. 13, 2019, which is a continuation of application
(Continued)

(51) **Int. Cl.**

A63B 53/04 (2015.01)

A63B 60/42 (2015.01)

A63B 71/06 (2006.01)

(52) **U.S. Cl.**

CPC **A63B 53/0466** (2013.01); **A63B 71/0619**
(2013.01); **A63B 53/0437** (2020.08); **A63B**
53/0441 (2020.08); **A63B 60/42** (2015.10)

(58) **Field of Classification Search**

CPC . A63B 53/0466; A63B 71/0619; A63B 60/42;
A63B 53/0437; A63B 53/0441

(Continued)

(56) **References Cited**

U.S. PATENT DOCUMENTS

1,291,967 A 1/1919 McDougal

1,402,537 A 1/1922 Reach

(Continued)

FOREIGN PATENT DOCUMENTS

KR 20030080602 A 10/2003

KR 101018700 B1 3/2011

TW M378013 U 4/2010

OTHER PUBLICATIONS

AdamsGolf, "DiXX Blu Putter," retrieved from <https://web.archive.org/web/20080913151800/http://www.adamsgolf.com/products/shortgame/dixx.php>, document dated Sep. 13, 2008, 1 page.

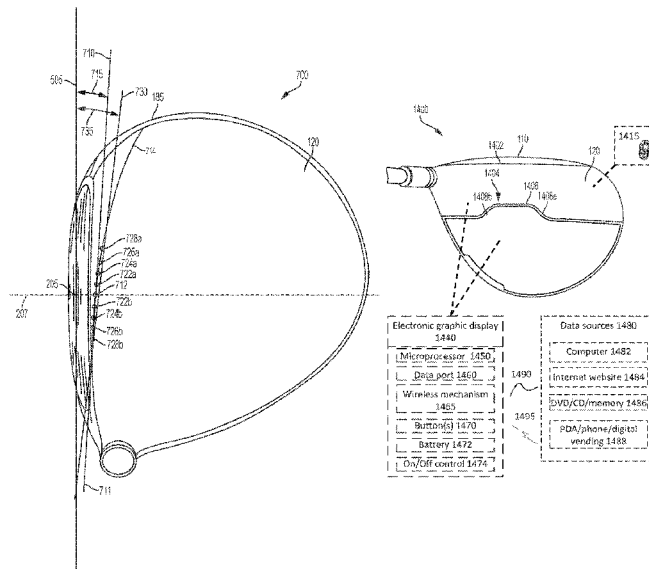
Primary Examiner — Sebastiano Passaniti

(74) *Attorney, Agent, or Firm* — Dawsey Co., LPA;
David J. Dawsey

(57) **ABSTRACT**

A golf club head is provided with an electronic display that is visible to a user of the golf club head when the golf club head is in the address position, such as for displaying one or more images to the user. The electronic display may include a memory, a microprocessor, and a battery, and may be configured to communicate with a user operable electronic device via a wired or a wireless communication protocol. For example, the electronic display may be configured to receive one or more images from the user operable electronic device, to store the one or more images in the memory, and to display the one or more images to the user.

40 Claims, 12 Drawing Sheets



Related U.S. Application Data

No. 16/046,106, filed on Jul. 26, 2018, now abandoned, which is a continuation of application No. 15/197,551, filed on Jun. 29, 2016, now Pat. No. 10,052,530.

(60) Provisional application No. 62/185,882, filed on Jun. 29, 2015.

(58) **Field of Classification Search**

USPC 473/324–350, 287–292, 219–254
See application file for complete search history.

(56) **References Cited**

U.S. PATENT DOCUMENTS

2,954,231	A	9/1960	Macintyre
D231,624	S	5/1974	Wilmoth
D237,289	S	10/1975	Calton
5,213,328	A	5/1993	Long
5,489,094	A	2/1996	Pritchett
5,788,584	A	8/1998	Parente
5,935,020	A	8/1999	Stites et al.
6,196,932	B1	3/2001	Marsh
6,729,967	B2	5/2004	Ford
D496,084	S	9/2004	Imamoto
D505,701	S	5/2005	Dogan
6,929,565	B2	8/2005	Nakahara
6,969,326	B2	11/2005	De Shiell
7,022,030	B2	4/2006	Best

D529,564	S	10/2006	Grace	
7,166,038	B2	1/2007	Williams	
7,235,021	B2	6/2007	Solheim	
7,303,487	B2	12/2007	Kumamoto	
7,344,451	B2	3/2008	Tang	
7,377,858	B2	5/2008	Kubota	
7,396,289	B2	7/2008	Soracco	
7,481,715	B2	1/2009	Byrne	
7,510,481	B2	3/2009	Sevon	
7,993,216	B2	8/2011	Lee	
8,025,589	B2	9/2011	Brinton	
8,083,612	B2	12/2011	Stites	
8,348,780	B2	1/2013	Stites	
8,353,786	B2	1/2013	Beach et al.	
8,636,609	B2	1/2014	Chao et al.	
D767,694	S	9/2016	Nielson	
10,052,530	B2	8/2018	Greaney	
10,300,351	B2	5/2019	Greaney et al.	
10,391,369	B2	8/2019	Greaney et al.	
11,179,608	B2 *	11/2021	Greaney	A63B 53/023
11,731,014	B2 *	8/2023	Greaney	A63B 60/52 473/219
2002/0123386	A1	9/2002	Perlmutter	
2005/0059504	A1	3/2005	Barnard	
2007/0232409	A1	10/2007	Byrne	
2009/0163285	A1	6/2009	Kwon et al.	
2009/0314398	A1	12/2009	Shaar	
2010/0173720	A1	7/2010	Kim	
2014/0179460	A1	6/2014	Beach et al.	
2019/0336834	A1	7/2019	Greaney et al.	

* cited by examiner

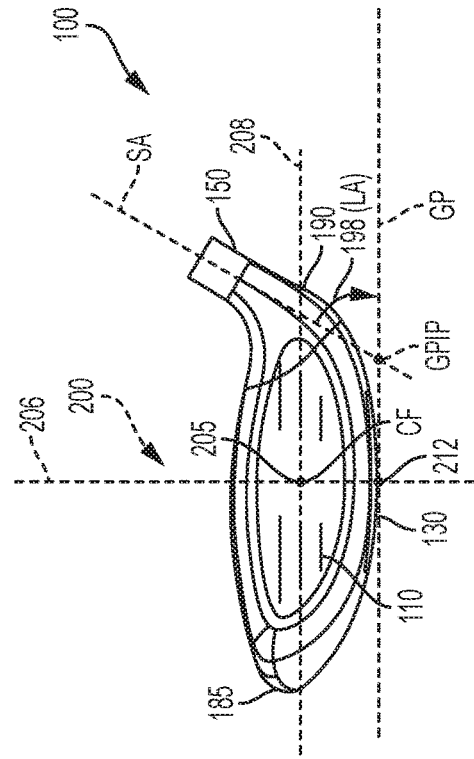


FIG. 1B

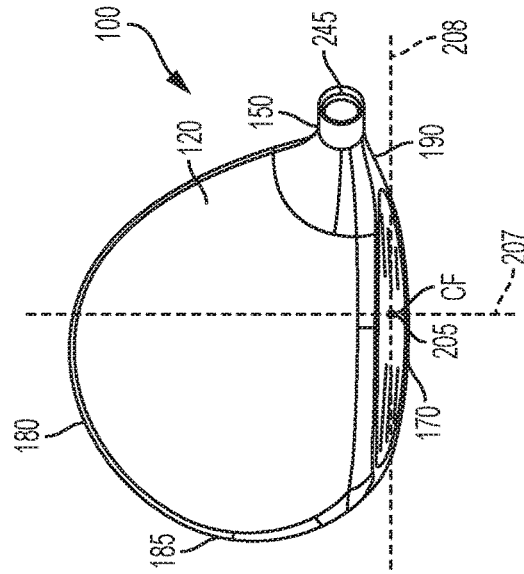


FIG. 1D

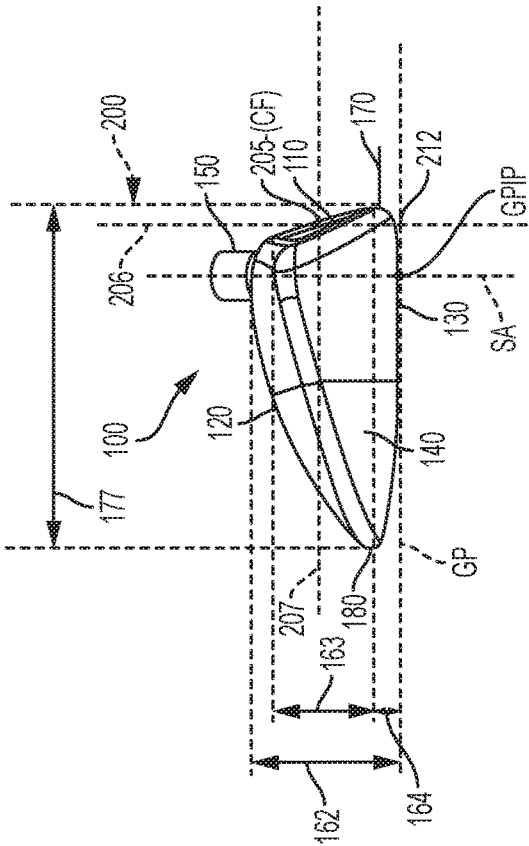


FIG. 1A

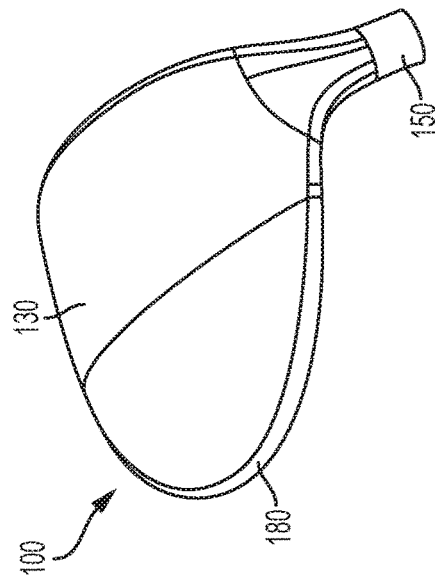


FIG. 1C

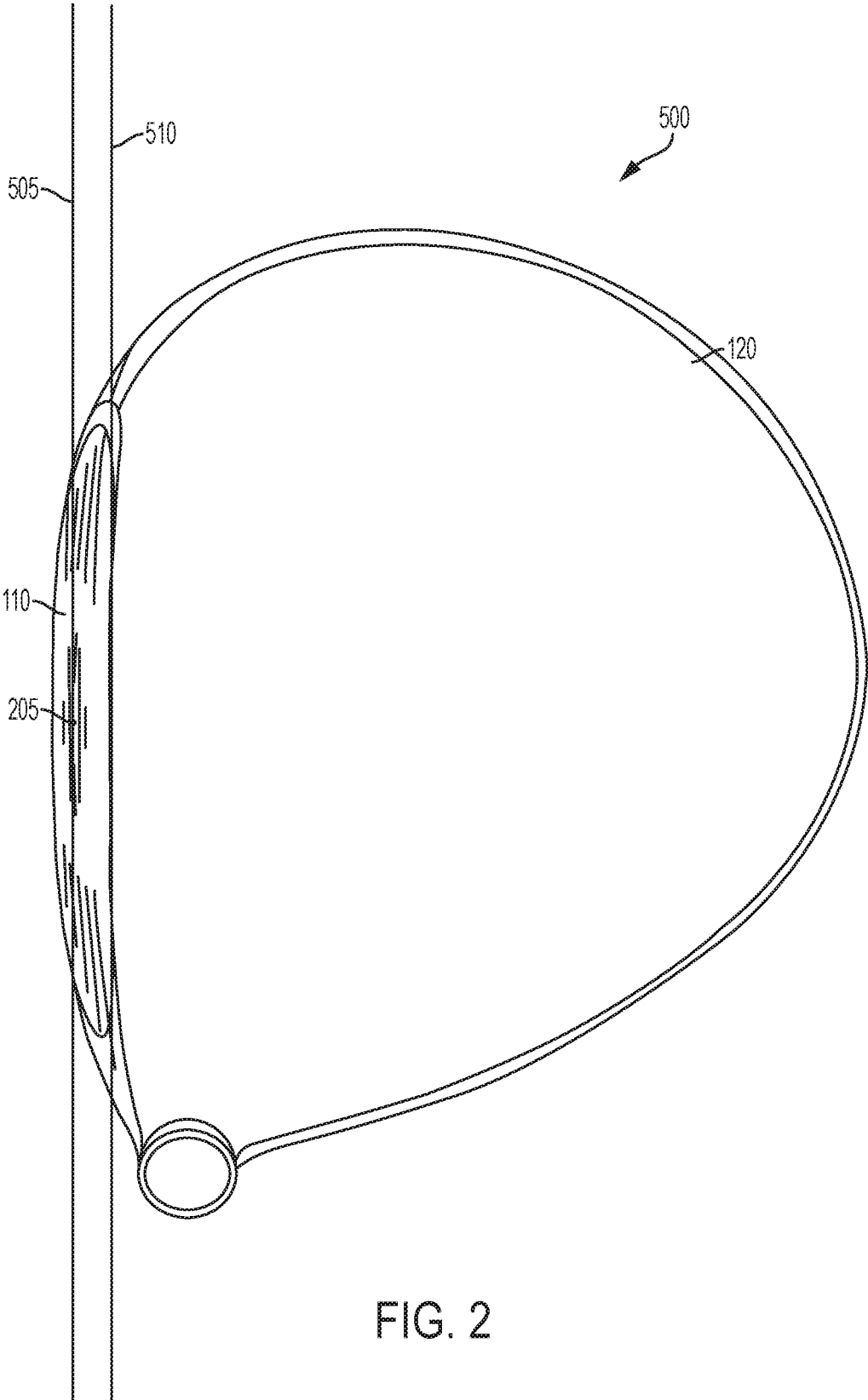


FIG. 2

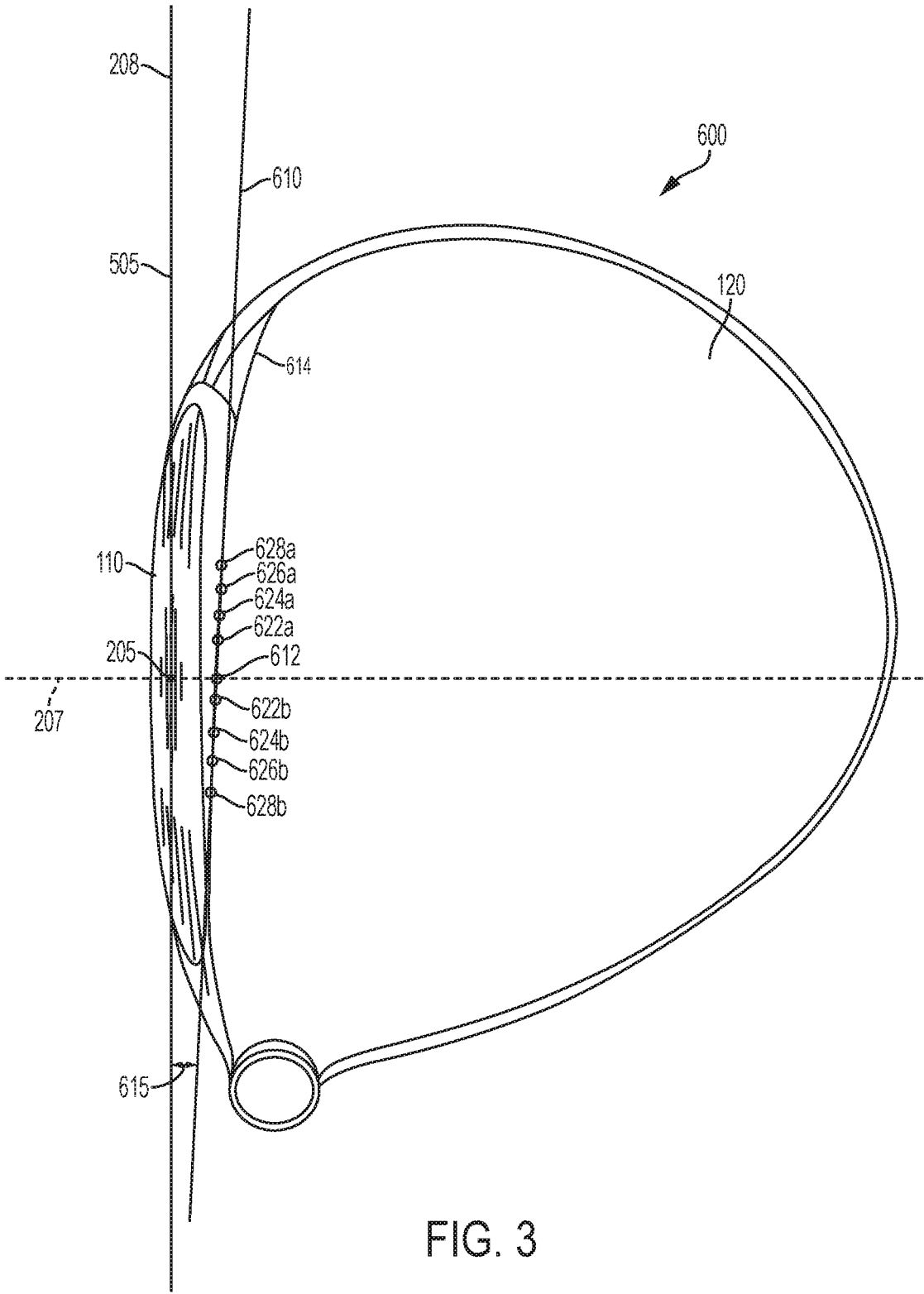


FIG. 3

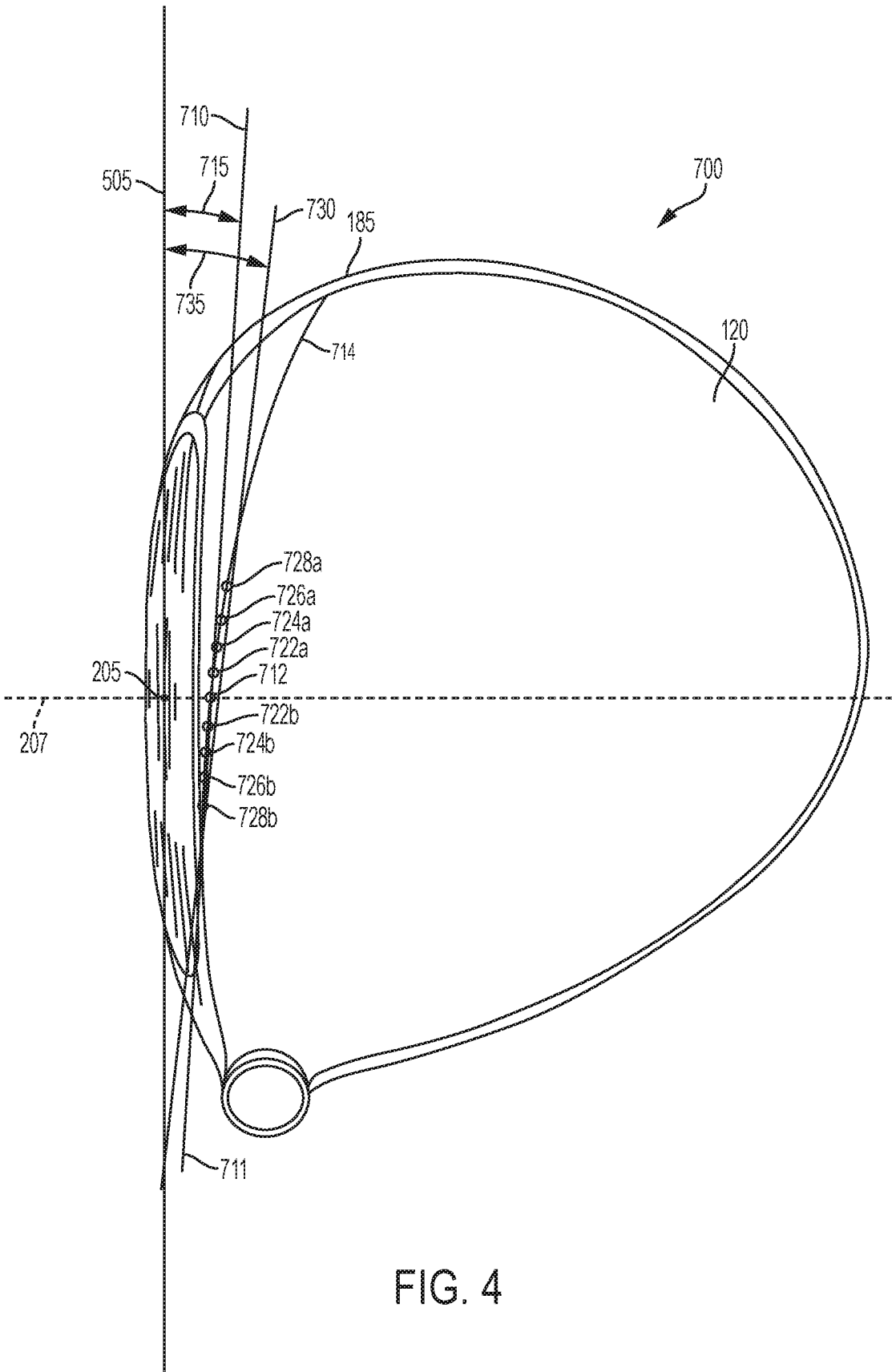


FIG. 4

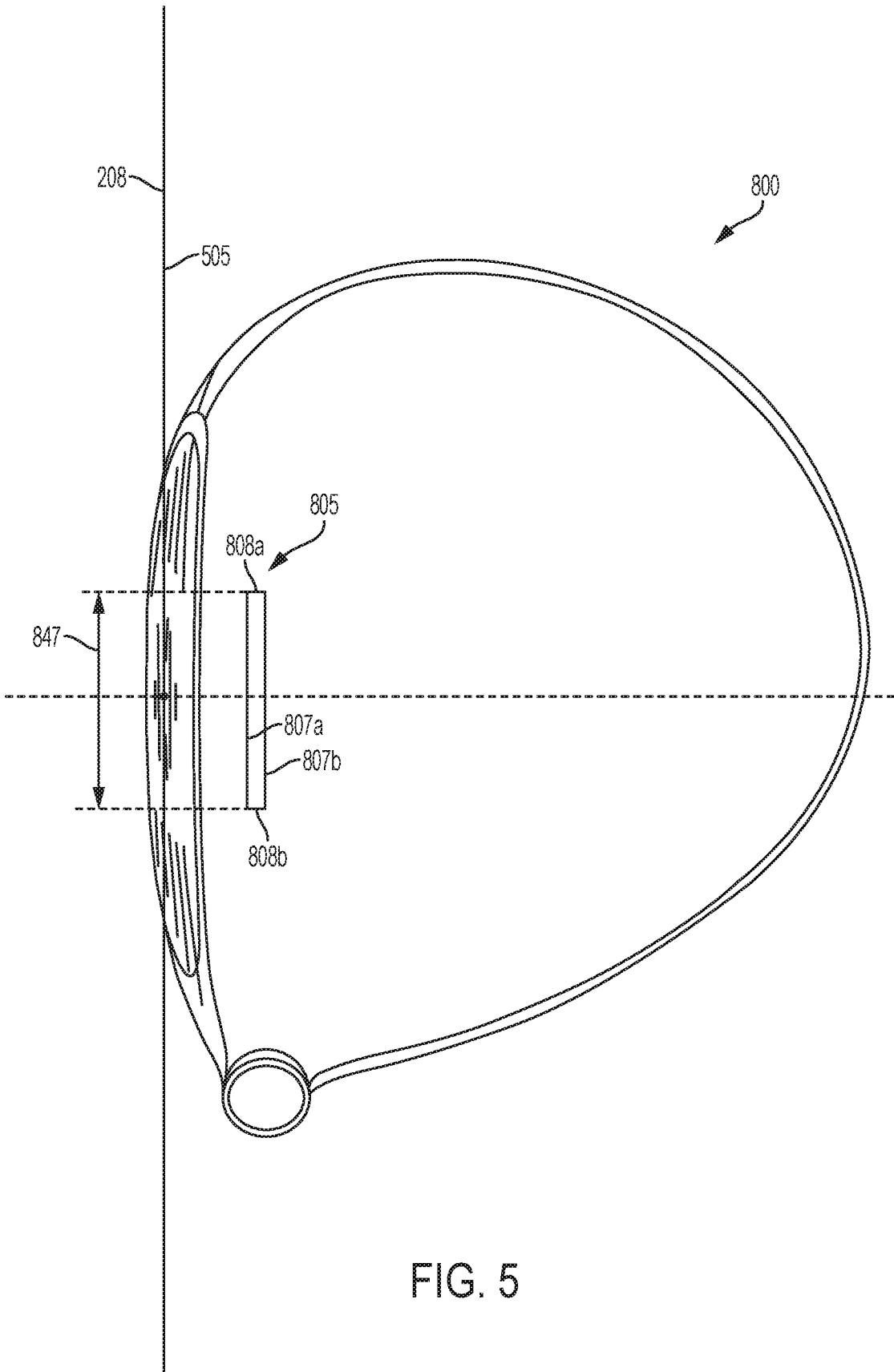


FIG. 5

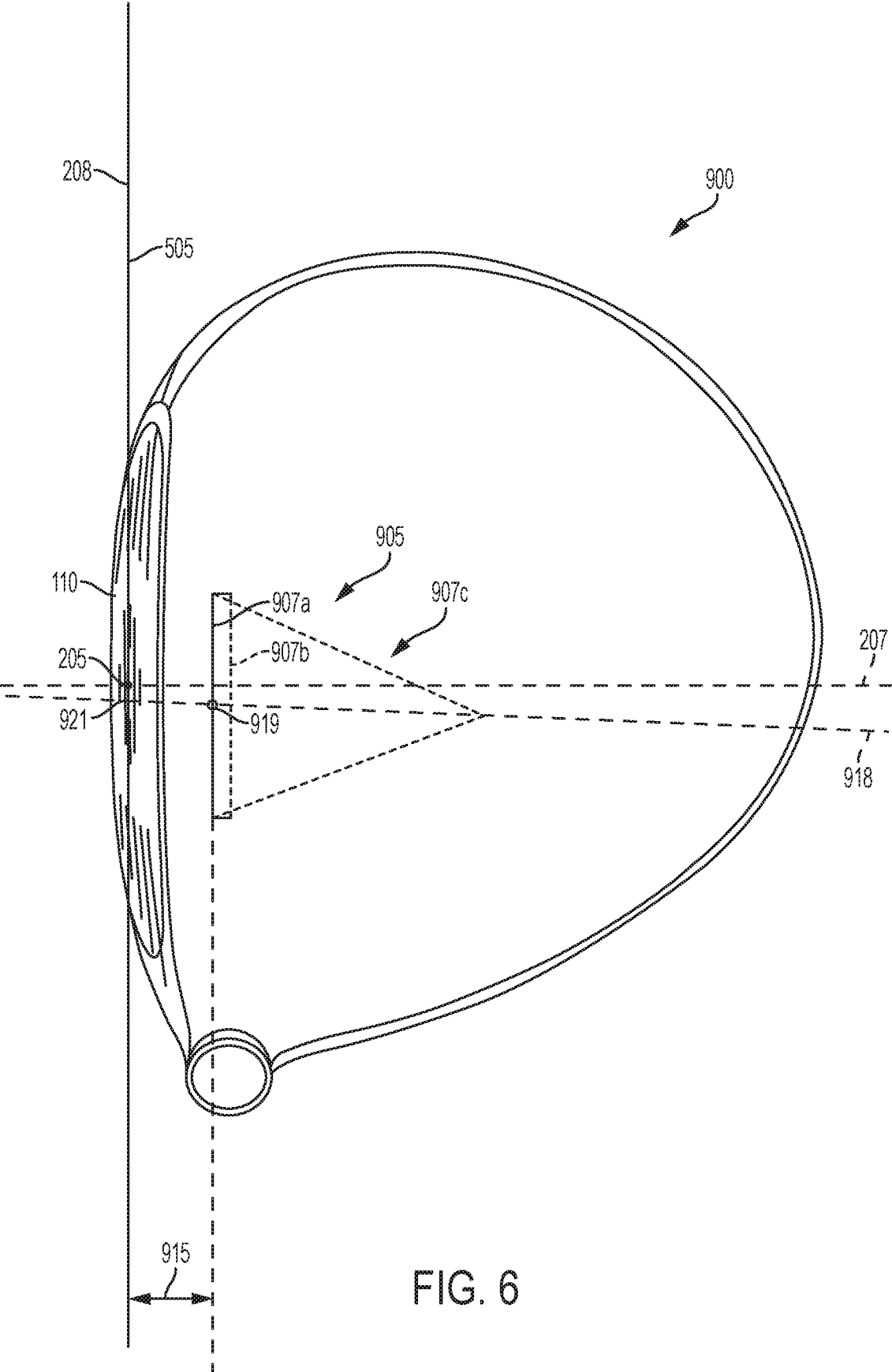
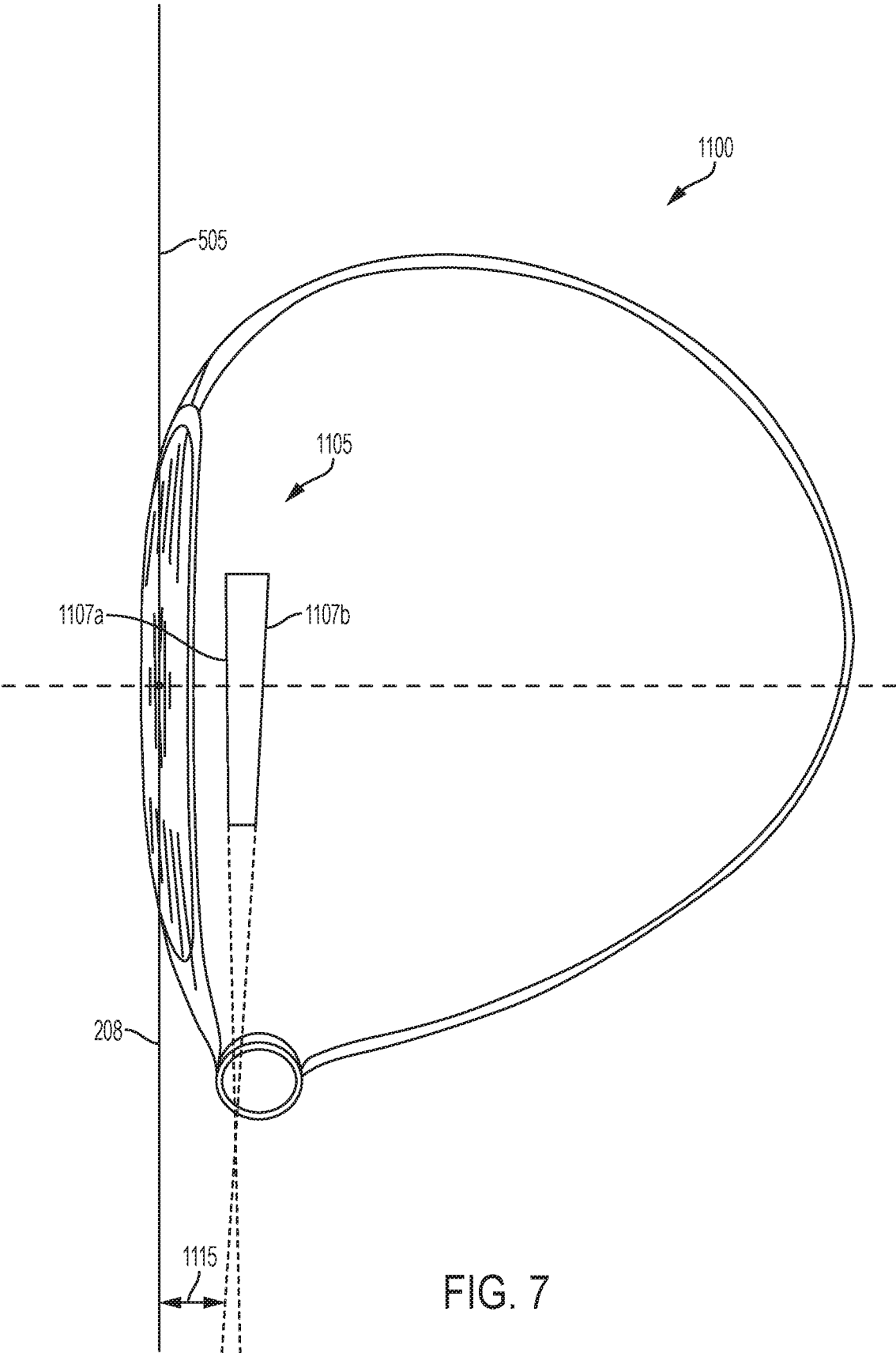


FIG. 6



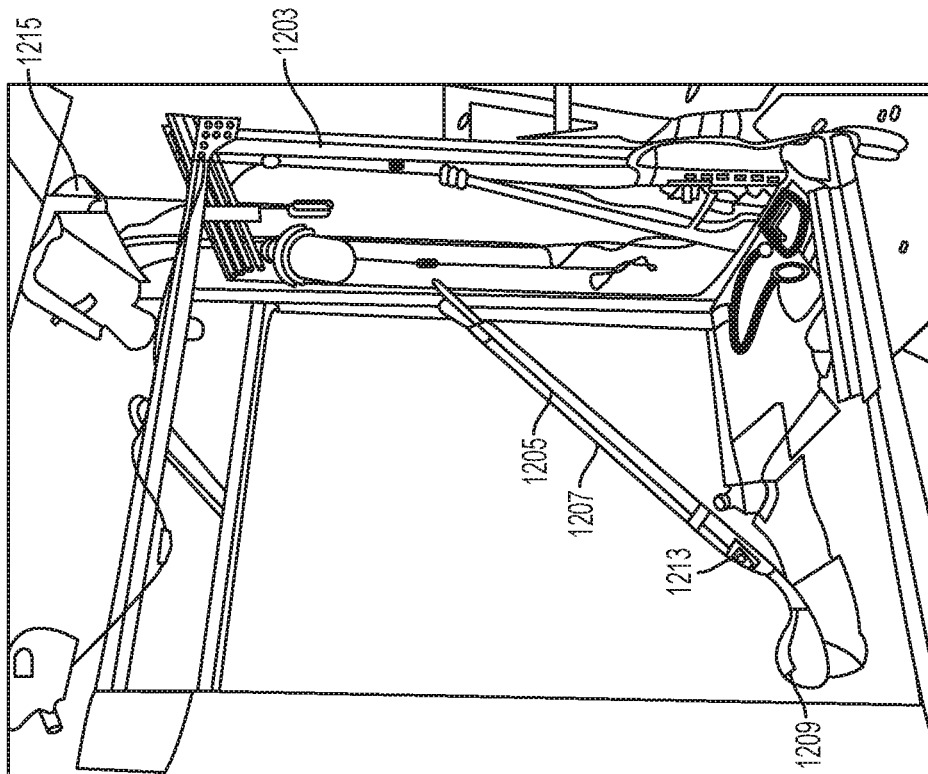


FIG. 8A

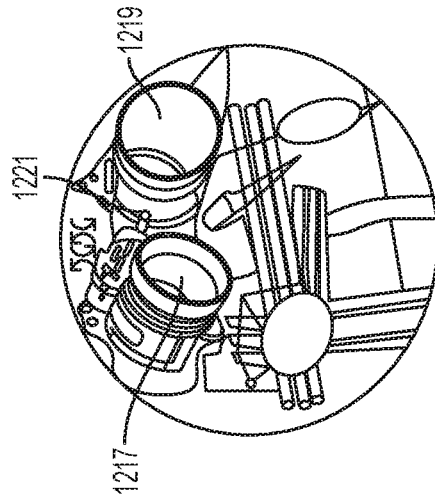


FIG. 8B

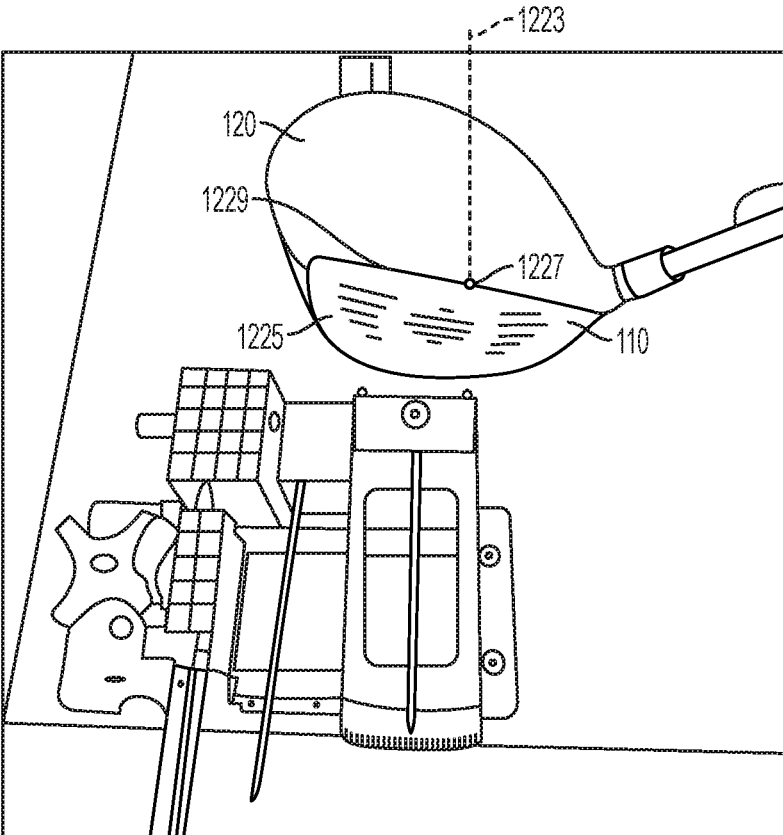


FIG. 8C

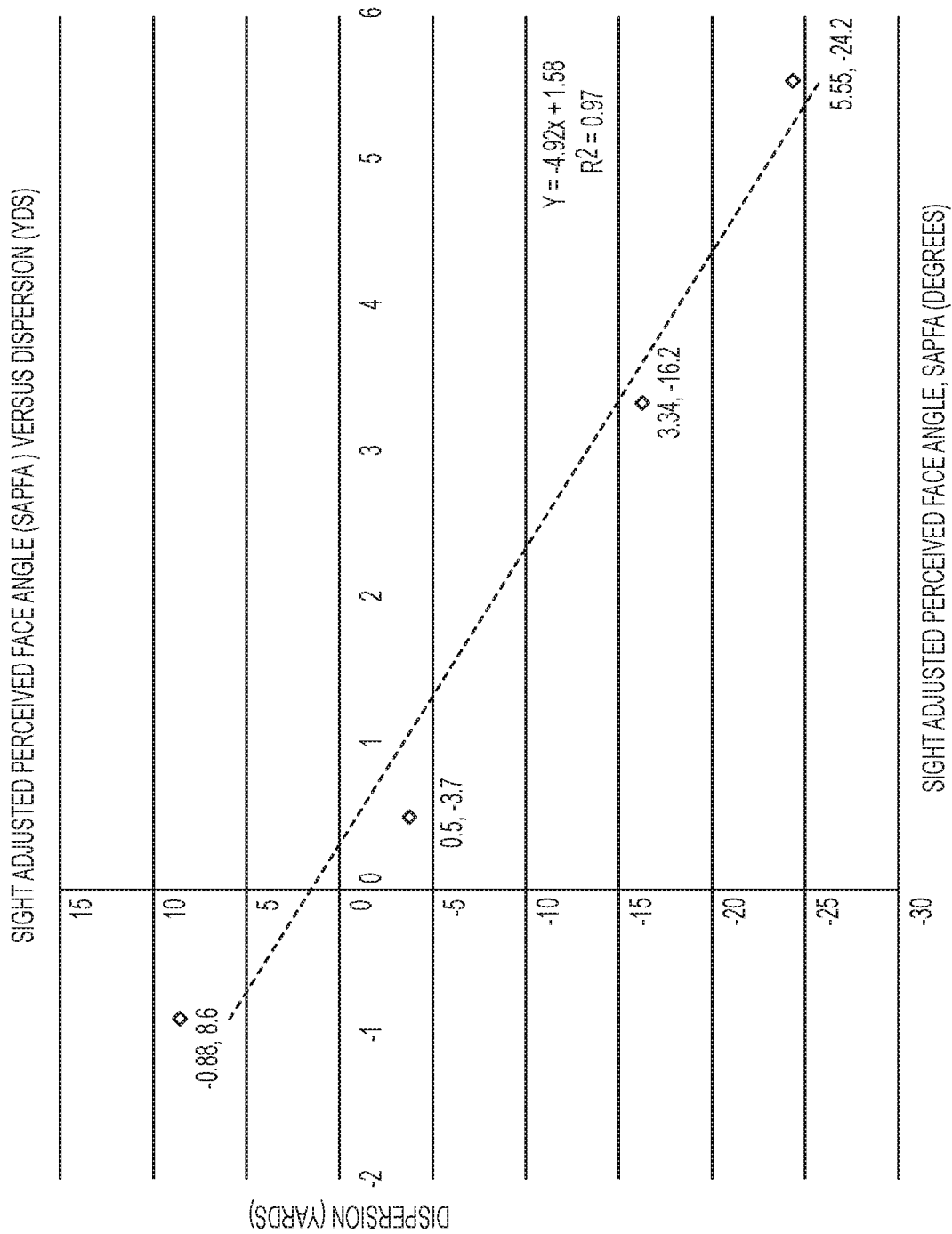


FIG. 9

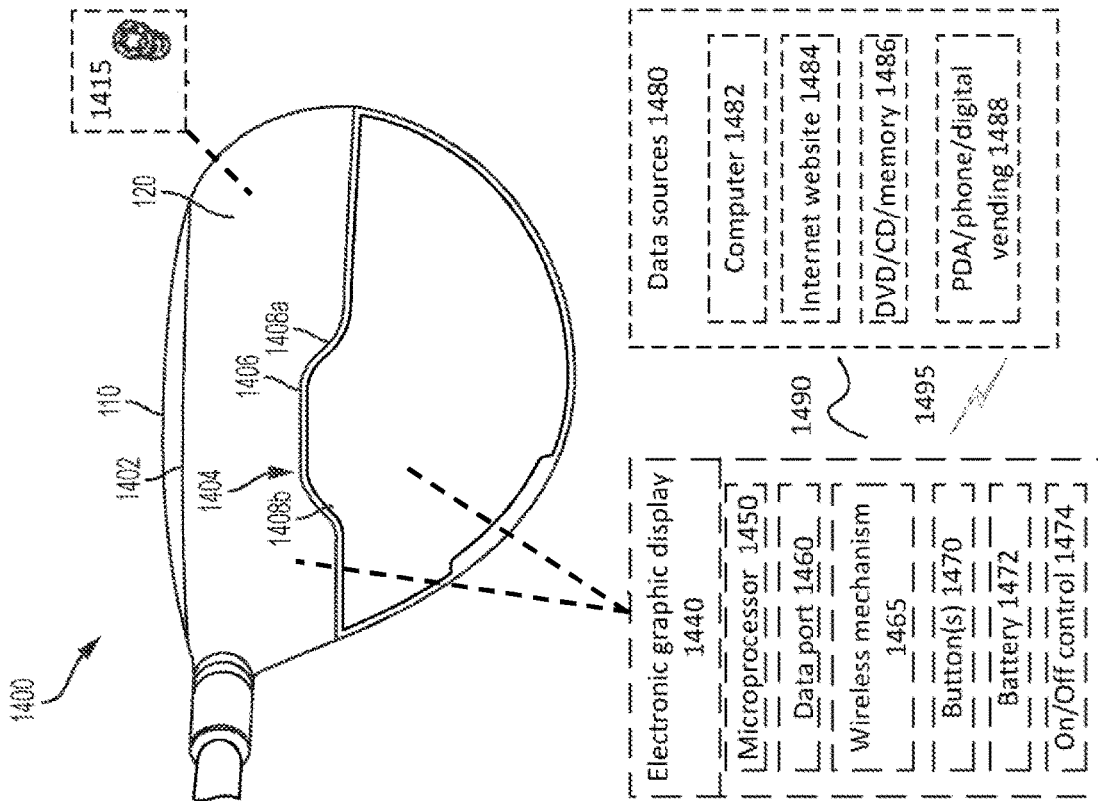


FIG. 10A

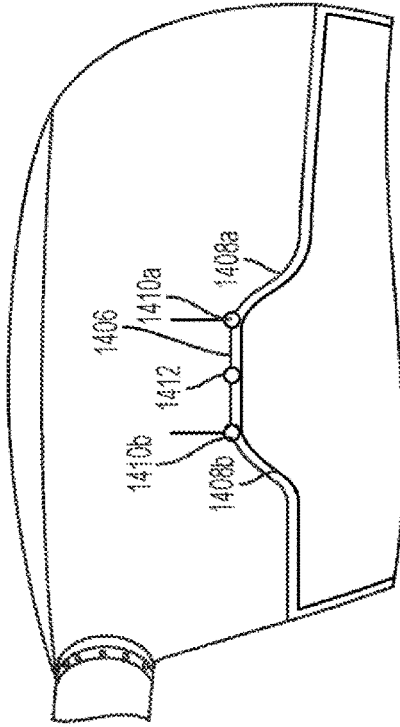


FIG. 10B

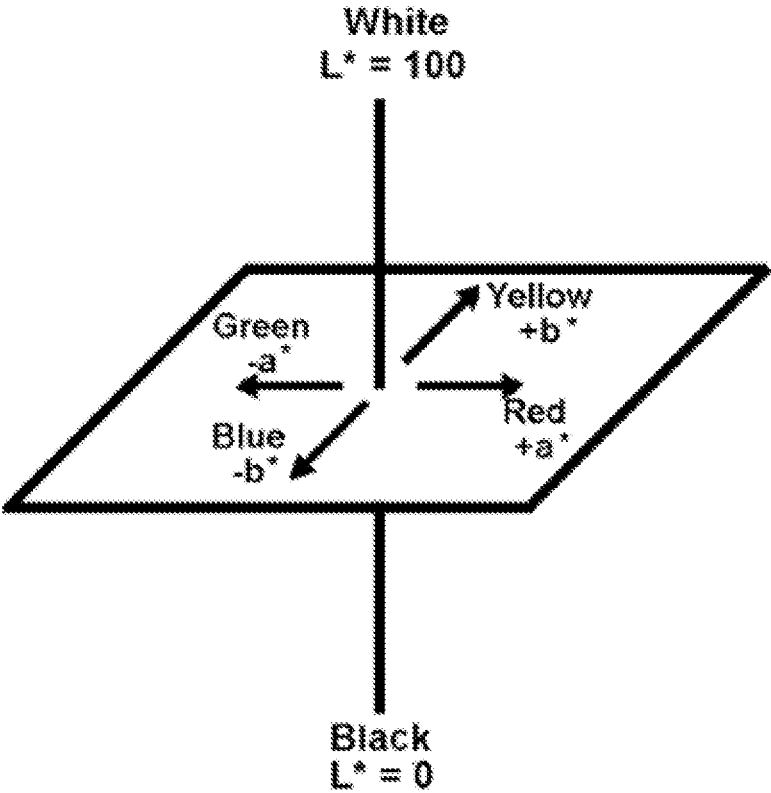


FIG. 11

1

GOLF CLUB

REFERENCE TO RELATED APPLICATIONS

This application is a continuation of and claims priority to U.S. patent application Ser. No. 16/352,537, filed on Mar. 13, 2019, which is a continuation of and claims priority to U.S. patent application Ser. No. 16/046,106, filed Jul. 26, 2018, which is a continuation of and claims priority to U.S. patent application Ser. No. 15/197,551, filed Jun. 29, 2016, now U.S. Pat. No. 10,052,530, which claims benefit of priority under 35 U.S.C. § 119(e) to Provisional Application No. 62/185,882 entitled "GOLF CLUB" filed Jun. 29, 2015, both of which are incorporated by reference herein in their entirety. This application references U.S. Pat. No. 8,771,095 to Beach, et. al, entitled "CONTRAST-ENHANCED GOLF CLUB HEADS," filed Mar. 18, 2011.

TECHNICAL FIELD

This disclosure relates to golf clubs. More specifically, this disclosure relates to golf club alignment.

SUMMARY

Aspects of the invention are directed to golf club heads including a body having a face, a crown and a sole together defining an interior cavity, the golf club body including a heel and a toe portion and having x, y and z axes which are orthogonal to each other having their origin at USGA center face and wherein the golf club head has a primary alignment feature comprising a paint or masking line which delineates the transition between at least a first portion of the crown having an area of contrasting shade or color with the shade or color of the face.

In some embodiments the golf club head includes a body having a face, a sole and a crown, the crown having a first portion having a first color or shade and a second portion having a second color or shade, the face crown and sole together defining an interior cavity, the golf club body including a heel and a toe portion and having x, y and z axes which are orthogonal to each other having their origin at USGA center face and wherein the golf club head has a primary alignment feature comprising a paint or masking line which delineates the transition between at least a first portion of the crown having an area of contrasting shade or color and the area of shade or color of the face, and the club head also includes a secondary alignment feature including a paint or masking line which delineates the transition between the first portion of the crown having an area of contrasting shade or color with the shade or color of the face; and a second portion of the crown having an area of contrasting shade or color with the shade or color of the first portion, the secondary alignment feature comprising a first elongate side having a length of from about 0.5 inches to about 1.7 inches, and a second and third elongate side extending back from the face and rearward from and at an angle to the first elongate side.

In some embodiments the golf club heads have a body having a face, a crown and a sole together defining an interior cavity, the golf club body also includes a heel and a toe portion and a portion of the crown comprises an electronic display, wherein the electronic display includes an organic light-emitting diode (OLED) display for providing active color and wherein the OLED display is divided into independently operating electronic display zones.

2

In some embodiments the golf club heads have a body having a face, a crown and a sole together defining an interior cavity, the golf club body also includes a heel and a toe portion and a portion of the crown or a layer covering at least a portion of the crown of the golf club head is covered by a dielectric coating system.

BRIEF DESCRIPTION OF THE DRAWINGS

The features and components of the following figures are illustrated to emphasize the general principles of the present disclosure. Corresponding features and components throughout the figures may be designated by matching reference characters for the sake of consistency and clarity.

FIG. 1A is a toe side view of a golf club head in accord with one embodiment of the current disclosure.

FIG. 1B is a face side view of the golf club head of FIG. 1A.

FIG. 1C is perspective view of the golf club head of FIG. 1A.

FIG. 1D is a top view of the golf club head of FIG. 1A. FIG. 2 is a top view of a golf club head in accord with one embodiment of the current disclosure.

FIG. 3 is a top view of a golf club head in accord with one embodiment of the current disclosure.

FIG. 4 is a top view of a golf club head in accord with one embodiment of the current disclosure.

FIG. 5 is a top view of a golf club head in accord with one embodiment of the current disclosure.

FIG. 6 is a top view of a golf club head in accord with one embodiment of the current disclosure.

FIG. 7 is a top view of a golf club head in accord with one embodiment of the current disclosure.

FIG. 8A is a front view of the apparatus used for measuring a Sight Adjusted Perceived Face Angle in accordance with the current disclosure.

FIG. 8B is a close up view of the arrangement of the laser and cameras in the apparatus used for measuring a Sight Adjusted Perceived Face Angle in accordance with the current disclosure.

FIG. 8C is a side view of a golf club head fixture in apparatus used for measuring a Sight Adjusted Perceived Face Angle in accordance with the current disclosure.

FIG. 9 is a graph of the Sight Adjusted Perceived Face Angle vs. the Dispersion in Ball Flight for four clubs having the alignment features in accordance with the current disclosure.

FIG. 10A is a top view of a golf club head in accord with one embodiment of the current disclosure.

FIG. 10B is a top view of a golf club head in accord with one embodiment of the current disclosure.

FIG. 11 is a reference to the CIELAB color system.

DETAILED DESCRIPTION

Disclosed are various golf clubs as well as golf club heads including alignment features along with associated methods, systems, devices, and various apparatus. It would be understood by one of skill in the art that the disclosed golf clubs and golf club heads are described in but a few exemplary embodiments among many. No particular terminology or description should be considered limiting on the disclosure or the scope of any claims issuing therefrom.

The sport of golf is fraught with many challenges. Enjoyment of the game is increased by addressing the need to hit the golf ball further, straighter, and with more skill. As one progresses in golfing ability, the ability to compete at golf

becomes a source of enjoyment. However, one does not simply hit a golf ball straighter or further by mere desire. Like most things, skill is increased with practice—be it repetition or instruction—so that certain elements of the game become easier over time. But it may also be possible to improve one's level of play through technology.

Much technological progress in the past several decades of golf club design has emphasized the ability to hit the golf ball further. Some of these developments include increased coefficient of restitution (COR), larger golf club heads, lighter golf club heads, graphite shafts for faster club speed, and center of gravity manipulation to improve spin characteristics, among others. Other developments have addressed a golfer's variability from shot-to-shot, including larger golf club heads, higher moment of inertia (MOI), variable face thickness to increase COR for off-center shots, and more. Still further developments address a golfer's consistent miss-hits—of which the most common miss-hit is a slice—including flight control technology (FCT, such as loft and lie connection sleeves to adjust, inter alia, face angle), moveable weights, sliding weight technologies, and adjustable sole pieces (ASP). Such technologies aid golfers in fixing a consistent miss, such that a particular error can be addressed.

As such, modern technology has done much to improve the golfer's experience and to tailor the golf club to the needs of the particular player. However, some methods are more effective than others at achieving the desired playing results. For example, research suggests that—for a drive of about 280 yards—a 1° difference in face angle at impact may account for about 16 yards of lateral dispersion in the resultant shot. Similarly, for moveable weights, changes in balance of weight by 12 grams moving for about 50 mm may result in about 15 yards of lateral dispersion on the resultant shot. However, it is also understood that a change in lie angle of the golf club head affects the face angle, but at a much smaller degree. As such, simply by increasing lie angle by 1°, the face angle alignment of the golf club head may be adjusted by 0.1° open or closed. As such, for better players who are simply trying to tune their ball flight, adjusting lie angle may be much more finely tunable than adjusting face angle. However, for many golfers, slicing (a rightward-curving shot for a right-handed golfer, as understood in the art) is the primary miss, and correction of such shot is paramount to enjoyment of the game.

One of the major challenges in the game of golf involves the difference between perception and reality. Golf includes psychological challenges—as the player's confidence wanes, his or her ability to perform particular shots often wanes as well. Similarly, a player's perception of his or her own swing or game may be drastically different from the reality. Some technology may address the player's perception and help aid in understanding the misconceptions. For example, technology disclosed in U.S. Pat. No. 8,771,095 to Beach, et. al, entitled "CONTRAST-ENHANCED GOLF CLUB HEADS," filed Mar. 18, 2011, provides a player with a clearer understanding of his or her alignment than some of the preexisting art at the time, which may improve that player's ability to repeat his or her shots. However, it may be more helpful to provide those players a method to address the misconceptions and provide correction for them.

We have now surprisingly found that alignment features that includes all or a portion of the interface region between the areas of contrasting shade or color on the crown of the club head and the face of the club head and/or all or a portion of the interface region between areas of contrasting shade or color on different portions on the crown of the club head allows for improved performance in the resulting clubs by

accounting for not only the actual alignment of the club head by the golfer during the shot but also as modified by the perceived alignment of the club head by the golfer. One example of a combination of contrasting colors or shades would be for example a black or metallic grey or silver color contrasting with white, but also included are other combinations which provide at a minimum a "just noticeable difference" to the human eye.

Although a "just noticeable difference" in terms of colors of a golf club head is to a degree somewhat subjective based on an individual's visual acuity, it can be quantified with reference to the CIELAB color system, a three dimensional system which defines a color space with respect to three channels or scales, one scale or axis for Luminance (lightness) (L) an "a" axis which extends from green (-a) to red (+a) and a "b" axis from blue (-b) to yellow (+b). This three dimensional axis is illustrated in FIG. 11.

A color difference between two colors can then be quantified using the following formula;

$$\Delta E_{ab}^* = \sqrt{(L_2^* - L_1^*)^2 + (a_2^* - a_1^*)^2 + (b_2^* - b_1^*)^2}$$

where

(L*1, a*1 and b*1) and (L*2, a*2 and b*2) represents two colors in the L,a,b space and where

$\Delta E_{ab}^* = 2.3$ sets the threshold for the "just noticeable difference" under illuminant conditions using the reference illuminant D65 (similar to outside day lighting) as described in CIE 15.2-1986.

Thus, for the alignment features of the golf clubs of the present invention, a contrasting color difference, ΔE_{ab}^* , is greater than 2.3, preferably greater than 10, more preferably greater than 20, even more preferably greater than 40 and even more preferably greater than 60.

For general reference, a golf club head **100** is seen with reference to FIGS. 1A-1D. One embodiment of a golf club head **100** is disclosed and described with reference to FIGS. 1A-1D. As seen in FIG. 1A, the golf club head **100** includes a face **110**, a crown **120** including a generally curved surface, a sole **130**, a skirt **140**, and a hosel **150**. Major portions of the golf club head **100** not including the face **110** are considered to be the golf club body for the purposes of this disclosure.

The metal wood club head **100** has a volume, typically measured in cubic-centimeters (cm³), equal to the volumetric displacement of the club head **100**, assuming any apertures are sealed by a substantially planar surface. (See United States Golf Association "Procedure for Measuring the Club Head Size of Wood Clubs," Revision 1.0, Nov. 21, 2003). In other words, for a golf club head with one or more weight ports within the head, it is assumed that the weight ports are either not present or are "covered" by regular, imaginary surfaces, such that the club head volume is not affected by the presence or absence of ports. In several embodiments, a golf club head of the present application can be configured to have a head volume between about 110 cm³ and about 600 cm³. In more particular embodiments, the head volume is between about 250 cm³ and about 500 cm³. In yet more specific embodiments, the head volume is between about 300 cm³ and about 500 cm³, between 300 cm³ and about 360 cm³, between about 360 cm³ and about 420 cm³ or between about 420 cm³ and about 500 cm³.

In the case of a driver, the golf club head has a volume between approximately 300 cm³ and approximately 460 ccm³, and a total mass between approximately 145 g and approximately 245 g. In the case of a fairway wood, the golf club head **10** has a volume between approximately 100 cm³ and approximately 250 cm³, and a total mass between

approximately 145 g and approximately 260 g. In the case of a utility or hybrid club the golf club head **10** has a volume between approximately 60 cm³ and approximately 150 cm³, and a total mass between approximately 145 g and approximately 280 g.

A three dimensional reference coordinate system **200** is shown. An origin **205** of the coordinate system **200** is located at the center of the face (CF) of the golf club head **100**. See U.S.G.A. "Procedure for Measuring the Flexibility of a Golf Clubhead," Revision 2.0, Mar. 25, 2005, for the methodology to measure the center of the striking face of a golf club. The coordinate system **200** includes a z-axis **206**, a y-axis **207**, and an x-axis **208** shown in FIG. 1B). Each axis **206,207,208** is orthogonal to each other axis **206,207,208**. The x-axis **208** is tangential to the face **110** and parallel to a ground plane (GP). The golf club head **100** includes a leading edge **170** and a trailing edge **180**. For the purposes of this disclosure, the leading edge **170** is defined by a curve, the curve being defined by a series of forward most points, each forward most point being defined as the point on the golf club head **100** that is most forward as measured parallel to the y-axis **207** for any cross-section taken parallel to the plane formed by the y-axis **207** and the z-axis **206**. The face **110** may include grooves or score lines in various embodiments. In various embodiments, the leading edge **170** may also be the edge at which the curvature of the particular section of the golf club head departs substantially from the roll and bulge radii.

As seen with reference to FIG. 1B, the x-axis **208** is parallel to the GP onto which the golf club head **100** may be properly soled-arranged so that the sole **130** is in contact with the GP in the desired arrangement of the golf club head **100**. The y-axis **207** is also parallel to the GP and is orthogonal to the x-axis **208**. The z-axis **206** is orthogonal to the x-axis **208**, the y-axis **207**, and the GP. The golf club head **100** includes a toe **185** and a heel **190**. The golf club head **100** includes a shaft axis (SA) defined along an axis of the hosel **150**. When assembled as a golf club, the golf club head **100** is connected to a golf club shaft (not shown). Typically, the golf club shaft is inserted into a shaft bore **245** defined in the hosel **150**. As such, the arrangement of the SA with respect to the golf club head **100** can define how the golf club head **100** is used. The SA is aligned at an angle **198** with respect to the GP. The angle **198** is known in the art as the lie angle (LA) of the golf club head **100**. A ground plane intersection point (GPIP) of the SA and the GP is shown for reference. In various embodiments, the GPIP may be used as a point of reference from which features of the golf club head **100** may be measured or referenced. As shown with reference to FIG. 1A, the SA is located away from the origin **205** such that the SA does not directly intersect the origin or any of the axes **206,207,208** in the current embodiment. In various embodiments, the SA may be arranged to intersect at least one axis **206,207,208** and/or the origin **205**. A z-axis ground plane intersection point **212** can be seen as the point that the z-axis intersects the GP. The top view seen in FIG. 1D shows another view of the golf club head **100**. The shaft bore **245** can be seen defined in the hosel **150**.

Referring back to FIG. 1A, a crown height **162** is shown and measured as the height from the GP to the highest point of the crown **120** as measured parallel to the z-axis **206**. The golf club head **100** also has an effective face height **163** that is a height of the face **110** as measured parallel to the z-axis **206**. The effective face height **163** measures from a highest point on the face **110** to a lowest point on the face **110** proximate the leading edge **170**. A transition exists between the crown **120** and the face **110** such that the highest point

on the face **110** may be slightly variant from one embodiment to another. In the current embodiment, the highest point on the face **110** and the lowest point on the face **110** are points at which the curvature of the face **110** deviates substantially from a roll radius. In some embodiments, the deviation characterizing such point may be a 10% change in the radius of curvature. In various embodiments, the effective face height **163** may be 2-7 mm less than the crown height **162**. In various embodiments, the effective face height **163** may be 2-12 mm less than the crown height **162**. An effective face position height **164** is a height from the GP to the lowest point on the face **110** as measured in the direction of the z-axis **206**. In various embodiments, the effective face position height **164** may be 2-6 mm. In various embodiments, the effective face position height **164** may be 0-10 mm. A distance **177** of the golf club head **100** as measured in the direction of the y-axis **207** is seen as well with reference to FIG. 1A. The distance **177** is a measurement of the length from the leading edge **170** to the trailing edge **180**. The distance **177** may be dependent on the loft of the golf club head in various embodiments.

For the sake of the disclosure, portions and references disclosed above will remain consistent through the various embodiments of the disclosure unless modified. One of skill in the art would understand that references pertaining to one embodiment may be included with the various other embodiments.

As seen with reference to FIG. 2, a golf club head **500** includes a painted crown **120** and unpainted face **110**. Painted or otherwise contrast-enabled crowns have been utilized as described in U.S. Pat. No. 8,771,095 to Beach, et. al, entitled "CONTRAST-ENHANCED GOLF CLUB HEADS," filed Mar. 18, 2011, to provide golfers with aided alignment. Typically the golfer employs the crown to face transition or top-line to align the club with the desired direction of the target line. The top-line transition is clearly delineated by a masking line between the painted crown and the unpainted face. While such features may have been described to some degree, use of the features to bias alignment has not been conceived in the art. With the golf club head **500** of the current embodiment, one of skill in the art would understand that the high-contrast described in U.S. Pat. No. 8,771,095 to Beach, et. al, entitled "CONTRAST-ENHANCED GOLF CLUB HEADS," filed Mar. 18, 2011, may be beneficial for emphasizing various alignment features. As such, the disclosure is incorporated by reference herein in its entirety.

For reference, a face angle tangent **505** is seen in FIG. 2. The face angle tangent **505** indicates a tangent line to the center face **205**. The face angle tangent **505** in the current embodiment is coincident with the x-axis **206** (as seen with reference to prior FIGS.). Also seen in FIG. 2 is a top tangent **510**. In the current embodiment, the top tangent **510** is a line made tangent to a top of the face **110** because, in the current embodiment, a joint between the face **110** and the crown **120** is coincident with paint lines. The top tangent **510** in the several embodiments of the current disclosure will follow the contours of various paint lines of the crown **120**, and one of skill in the art would understand that the top tangent **510** need not necessarily be coincident with a tangent to the face **110**. However, in the current embodiment, the top tangent **510** is parallel to the face angle tangent **505**. As such, the paint of the crown **120** can be described as appearing square with the face angle.

The purpose of highlighting such features of the golf club head **500** is to provide a basis for the discussion of alignment with respect to the current disclosure. Through variations in

alignment patterns, it may be possible to influence the golfer such that the golfer alters his or her play because of the appearance of misalignment. If a player perceives that the golf club head is such that the face is open with reference to the intended target, he or she would be more likely to try to “square up” the face by manually closing it. Many golfers prefer not to perceive a metal wood golf club head as appearing closed, as such an appearance is difficult to correct. However, even if such a player were to perceive the metal wood head as being closed, such perception does not mean that the golf club head is aligned in a closed position relative to the intended target.

As seen with reference to FIG. 3, a golf club head 600 includes similar head geometries to golf club head 500. However, the golf club head 600 includes a feature to alter the perceived angle of the face 110 for the user. In the current embodiment, a top tangent 610 that is aligned at an angle 615 with respect to the face angle tangent 505 such that the perceived angle of the face (Perceived Face Angle, PFA) is different from the actual alignment of the face angle tangent 505. In the current embodiment, the angle 615 is about 4°. In various embodiments, the angle 615 may be 2°-6°. In various embodiments, the angle 615 may be less than 7°. In various embodiments, the angle 615 may be 5-10°. In various embodiments, the angle 615 may be less than 12°. In various embodiments, the angle 615 may be up to 15°. As indicated with respect to top tangent 510, the top tangent 610 is an indicator of the alignment of an edge of an area of contrasting paint or shading of the crown 120 delineated by a masking line between the painted crown and the unpainted face relative to the color or shading of the face 110 and is the line that is tangent to an edge 614 of the contrasting crown paint or crown shading at a point 612 where the edge 614 intersects a line parallel to the y-axis 207.

In various embodiments, a perceived angle may be determined by finding a linear best-fit line of various points. For such approximation, a perceived angle tangent may be determined by best fitting points on the edge 614 at coordinates of the x-axis 208 that are coincident with center face 205—point 612—and at points ± 5 mm of CF 205 (points 622a,b), at points ± 10 mm of CF 205 (points 624a,b), at points ± 15 mm of CF 205 (points 626a,b), and at points ± 20 mm of CF 205 (points 628a,b). As such, nine points are defined along the edge 614 for best fit of the top tangent 610. In the current embodiment, the perceived angle tangent is the same as the top tangent 610.

However, such method for determining the perceived angle tangent may be most useful in cases where the edge 614 of an area of contrasting paint or shading of the crown 120 relative to the color or shading of the face 110 includes different radii of relief along the toe portion and the heel portion. In such an embodiment, a line that is tangent to the edge 614 at point 612 may not adequately represent the appearance of the alignment of the golf club head 600. Such an example can be seen with reference to FIG. 4.

As seen in FIG. 4, a golf club head 700 includes an edge 714 of an area of contrasting paint or shading of the crown 120 relative to the color or shading of the face 110 that is more aggressively rounded proximate the toe 185 than prior embodiments. As such, a line 711 that is literally tangent to the edge 714 at a point 712 that is coincident with the y-axis 207 may not adequately describe the perception. Such a line would be the top tangent 710. However as noted previously with reference to golf club head 600, points 712, 722a,b, 724a,b, 726a,b, and 728a,b, can be used to form a best fit line 730 that is aligned at a perceived angle 735 that is greater than an angle 715 of the top tangent 710. In various

embodiments, the perceived angle 735 may be within the increments of angle 615, above, or may be up to 20° in various embodiments. In most embodiments, the perceived angle 735 may be 8-10°. In various embodiments, the perceived angle 735 may be 9-10°. In various embodiments, the perceived angle 735 may be 7-11°. In various embodiments, the perceived angle 735 may be 7-8.5°. In various embodiments, alignment may be influenced by the inclusion of an alignment feature that does not invoke an edge such as edges 614, 714. As seen with reference to FIG. 5, various embodiments of alignment features may be suggestive of the face angle and, as such, provide an appearance of alignment to the golfer without modifying paint lines.

A golf club head 800, as seen in FIG. 5, includes an alignment feature 805. The alignment feature 805 of the current embodiment includes at least one elongate side 807—and in the current embodiment, two elongate sides 807a and 807b are included. The alignment feature 805 of the current embodiment also includes two additional sides 808a and 808b. As can be seen, the alignment feature 805 is arranged such that the at least one elongate side 807 is aligned about parallel to the x-axis. As such, a golfer is able to use the alignment feature 805 by aligning the direction of the elongate side 807 in an orientation that is about perpendicular to the intended target. The alignment feature 805 has a length 847 as measured parallel to the x-axis 208. In the current embodiment, the length 847 is about the same as the diameter of a golf ball, or about 1.7 inches. However, in various embodiments, the length 847 may be 0.5 inches, 0.75 inches, 1 inch, 1.25 inches, 1.5 inches, 1.75 inches, 2 inches, 2.25 inches, 2.5 inches, or various lengths therein. If the length 847 of the dominant elongate side 807a or 807b is less than about 0.3 inches, the impact of the alignment feature 805 on biasing the golfer’s perception decreases substantially.

However, with sufficient use, the alignment feature 805 can become the primary focus of the golfer’s attention and, as such, modifications to the arrangement of the alignment feature 805 with respect to the x-axis 208 (which is coincident with the face angle tangent 505) may allow the golfer to bias his or her shots and thereby modify his or her outcome.

As seen with reference to FIG. 6, a golf club head 900 includes an alignment feature 905. The alignment feature 905 of the current embodiment includes one elongate side 907a on a side of the alignment feature 905 that is proximate the face 110. The alignment feature 905 includes several potential rear portions. Similar to golf club head 800, golf club head 900 includes the alignment feature 905 having a potential second elongate side 907b in one embodiment. In another embodiment, an extended rear portion 907c may also be included or may be included separately from elongate side 907b. In the current embodiment, the elongate side 907b is oriented at an angle 915 with respect to the face angle tangent 505.

For the embodiment including second elongate side 907b, the second elongate side 907b is about parallel to the elongate side 907a. As such, the embodiment is similar to golf club head 800 but is oriented at angle 915. With respect to extended rear portion 907c, the orientation of such an embodiment may appear less askew and, consequently, may be more effective at modifying the golfer’s perception of the club’s alignment. A perpendicular reference line 918 is seen as a reference for being orthogonal to the elongate side 907a. The perpendicular reference line 918 intersects the elongate side 907a at a point 919 that bisects the elongate side 907a. Further, the perpendicular reference line 918 intersects the

x-axis **208** at an intersection point **921** that is heelward of the center face **205**. In the current embodiment, the intersection point **921** is heelward of center face **205** by about 2 mm. In various embodiments, the intersection point **921** may be about the same as center face **205**. In various embodiments, the intersection point **921** may be up to 2 mm heelward of center face **205**. In various embodiments, the intersection point **921** may be up to 5 mm heelward of center face **205**. In various embodiments, the intersection point **921** may be somewhat toward of center face **205**. In various embodiments, the intersection point **921** may be ± 2 mm of the center face **205**.

Another embodiment of a golf club head **1100**, shown in FIG. 7, includes an alignment feature **1105**. The alignment feature has a first elongate side **1107a** and a second elongate side **1107b**. In the current embodiment, however, the first elongate side **1107a** is about parallel with the face angle tangent **505** and the x-axis **208**. However, the second elongate side **1107b** is oriented at an angle **1115** with respect to the face angle tangent **505** such that the golfer's perception of alignment may be altered.

A preferred method for measuring the perceived face angle observed by a golfer further takes into account the fact that most golfers have a dominant left eye and when they address the ball with the club head, a direct line between the left eye and center face would actually cross the topline heelward of center face and thus this is where an alignment feature which includes an edge of an area of contrasting paint or shading of the crown **120** relative to the color or shading of the face **110** would exert the most effect on the golfer's perception of the face angle. This perceived face angle is thus called a Sight Adjusted Perceived Face Angle (SAPFA) and is measured using the apparatus shown in FIGS. **8A-8C**.

The apparatus used is shown in FIGS. **8A, 8B** and **8C** and includes a frame **1203** which holds a fixture **1205** for holding and aligning a golf club shaft **1207** and attached golf club head **1209** at a Lie Angle of 45° . The face of the golf club head **1209** is also set at a face angle of 0° using a face angle gauge **1211**. The face angle gauge may be any commonly used in the industry such as a De la Cruz face angle gauge). After setting the loft and lie angle the club is clamped in the fixture using a screw clam **1213**. The frame **1203** also includes an attachment point **1215** for mounting two cameras **1217** and **1219** and a Calpac Laser CP-TIM-230-9-IL-635 (Fine/Precise Red Line Laser Diode Module Class II: nm W/635 nm), **1221**. The center of the lens of camera **1219** is situated at the x, y and z coordinates (namely 766 mm, 149 mm, 1411 mm) using the previously defined x y and z axes with USGA center face (as measured using the procedure in U.S.G.A. "Procedure for Measuring the Flexibility of a Golf Clubhead," Revision 2.0, Mar. 25, 2005, "USGA Center Face") as the origin, and where a positive x coordinate represents a position heel ward of center face, a positive y coordinate represent a position rearward of center face and a positive z coordinate represents a position above center face. The laser is situated between the two cameras.

As shown in FIG. **8C** the laser produces a line **1223** having an axis parallel to the camera axis and projecting along the y axis which is adjusted such that the line intersects USGA Center Face **1225**. The point **1227** at which the line then intersects the edge of an area of contrasting paint or shading of the crown **120** relative to the color or shading of the face **110** which in this case corresponds to the white paint line of the crown **1229** is then physically marked on the paint line using a marker and acts as the datum or

reference point. A camera is then activated to take an image of the club head including the datum or reference point **1227** and the paint line **1229**.

The image from the camera is then analyzed using an image analyzer software package (which can be any of these known in the art able to import an image and can fit a line to the image using a curve fitting function). A best fit line to the paint line is then determined. For most embodiments the best fit to the paint line results from fitting the line to a quadratic equation of the form $y=ax^2+bx+c$. Two points are then selected on this best fit line at arc length between ± 0.25 mm from the datum point. A straight line is then drawn between the two points and a line perpendicular to this line is then drawn through the datum. The Sight Adjusted Perceived Face Angle (SAPFA) is then measured as the angle between the perpendicular line and they axis.

Using this method the Sight Adjusted Perceived Face Angle (SAPFA) of the golf clubs of the present invention may be from -2 to 10 , preferably from 0 to 6 , more preferably from 0.5 to 4 even more preferably from 1 to 2.5 and most preferably from 1.5 to 2 degrees.

Examples

Four identical club heads were taken and the paint line edge of an area of contrasting paint or shading of the crown **120** relative to the color or shading of the face **110** was varied and the Sight Adjusted Perceived Face Angles (SAPFA) measured.

In addition to the Sight Adjusted Perceived Face Angles (SAPFA) four additional measurements were taken to describe the paint line edge alignment feature of the four clubs and these values are summarized in Table 1.

In addition to the SAPFA, three additional angles were measured at different points as measured from the datum along the best fit line to the paint line edge alignment feature determined as for the SAPFA. The first angle was obtained at a point along the best fit line at an arc length 25 mm heelward of the datum. Again as for the SAPFA measurement, two points at arc length between ± 0.25 mm from the 25 mm point were selected. A straight line is then drawn between these two points and a line perpendicular to this line is then drawn at the 25 mm point. The angle is then measured between this perpendicular line and they axis. This angle is reported as the Sight Adjusted Perceived Face Angle 25 mm Heelward ("SAPFA_{25H}").

The second angle was obtained at a point along the best fit line at an arc length 25 mm toward of the datum. Again as for the SAPFA measurement, two points at arc length between ± 0.25 mm from the 25 mm point were selected. A straight line is then drawn between the two points and a line perpendicular to this line is then drawn at the 25 mm point. The angle is then measured between this perpendicular line and the y axis. This angle is reported as the Sight Adjusted Perceived Face Angle 25 mm Toward ("SAPFA_{25T}").

In addition, to capture any effect of greater rounding of the paint line edge alignment feature towards the toe of the golf club head, a third angle was obtained at a point along the best fit line at an arc length 50 mm toward of the datum. Again as for the SAPFA measurement, two points at arc length between ± 0.25 mm from the 25 mm point were selected. A straight line is then drawn between the two points and a line perpendicular to this line is then drawn at the 50 mm point. The angle is then measured between this perpen-

dicular line and the y axis. This angle is reported as the Sight Adjusted Perceived Face Angle 50 mm Toeward (“SAPFA_{25H}”).

Finally, in an attempt to describe more of the paint line edge alignment feature, the image of the paint line edge alignment feature imported into the image analyzer as for the SAPFA measurement was also fit to a circle using the formula $(x-a)^2+(y-b)^2=r^2$, and the radius of curvature of this circular fit line determined and reported in Table 1 as the Radius of Curvature (circle fit).

TABLE 1

Example No.	Sight Adjusted Perceived Face Angle (SAPFA) (degrees)	Radius of Curvature (circle fit, mm)	Angle	Angle	Angle
			25 mm Heelward (degrees)	25 mm Toeward (degrees)	50 mm Toeward (degrees)
1	3.5722	570.47	1.1377	5.9453	8.2757
2	5.2813	419.53	1.7509	8.6871	11.9168
3	0.2927	781.02	-1.4461	2.0189	3.7129
4	-0.5925	568.21	-3.06	1.8533	4.245

Each club was then hit between 6 to 12 times by 10 different players into a blank screen with no trajectory or other feedback available to the player, and a Trackman 3e launch monitor and the TPS software package were used to calculate the total dispersion from a center target line with a positive total dispersion indicating the number of yards right of the center target line and a negative total dispersion indicating the number of yards left of the center target line. Thus, a player who has a tendency to slice the ball i.e. produce a ball flight right of the target line would be assisted in producing a shot closer to the target line if the golf club tended to yield a more negative dispersion.

The graph in FIG. 9 plots the Sight Adjusted Perceived Face Angle (SAPFA) versus the average total dispersion of each club when hit 6-12 times by each player. The data show that adjustment of the edge of an area of contrasting paint or shading of the crown relative to the color or shading of the face such that the Sight Adjusted Perceived Face Angle (SAPFA) of the golf club goes from -0.88 degrees through 0.5 degrees through 3.34 degrees to 5.55 degrees results in an overall change in total dispersion from 8.6 yards to the right of the target line to 24.2 yards to the left of the target i.e. an absolute change in total dispersion of 32.8 yards from the same club head by solely manipulating the appearance of the paint line comprising the primary alignment feature.

The golf club heads of the present invention have a Sight Adjusted Perceived Face Angle (SAPFA) of from about -2 to about 10, preferably of from about 0 to about 6, more preferably of from about 0.5 to about 4 even more preferably of from about 1 to about 2.5 and most preferably of from about 1.5 to about 2 degrees.

The golf club heads of the present invention also have a Sight Adjusted Perceived Face Angle 25 mm Heelward (“SAPFA_{25H}”) of from about -5 to about 2, more preferably of from about -3 to 0, even more preferably of from about -2 to about -1 degrees.

The golf club heads of the present invention also have a Sight Adjusted Perceived Face Angle 25 mm Toeward (“SAPFA_{25T}”) of from 0 to about 9, more preferably of from about 1 to about 4.5, even more preferably of from about 2 to about 4 degrees.

The golf club heads of the present invention also have a Sight Adjusted Perceived Face Angle 50 mm Toeward

(“SAPFA_{50T}”) of from about 2 to about 9, more preferably of from about 3.5 to about 8, even more preferably of from about 4 to about 7 degrees.

The golf club heads of the present invention also have a Radius of Curvature (circle fit) of from about 300 to about 1000, more preferably of from about 400 to about 900, even more preferably of from about 500 to about 775 mm.

In other embodiments, the golf club head in addition to having a first or primary alignment feature as described earlier with reference to FIGS. 1-4, may also have a second

or secondary alignment feature including the alignment features as described earlier with reference to FIGS. 5, 6 and 7.

In an especially preferred embodiment, shown in FIG. 10A and FIG. 10B, the golf club head 1400 of the present invention can have a crown 120 having a first crown portion 120a having a first color or shade and a second crown portion 120b having a second color or shade, and a primary alignment feature consisting of an edge 1402 of an area of contrasting paint or shading of the first crown portion 120a relative to the color or shading of the face 110 as described earlier and illustrated, e.g. in FIGS. 3 and 4. In addition the club head has a secondary alignment feature 1404 proximate the face but rearward of the primary alignment feature and delineated by a second paint or masking line which delineates the transition between the first crown portion 120a having an area of contrasting shade or color with the shade or color of the face 110; and a second crown portion 120b having an area of contrasting shade or color with the shade or color of the first crown portion 120a. The secondary alignment feature comprises an elongate side 1406 having a length of from about 0.5 inches to about 1.7 inches, and a second and third elongate side 1408a and 1408b extending back from the face and at an angle to elongate side 1406 and rearward of elongate side 1406.

The Sight Adjusted Perceived Face Angle Secondary Alignment Feature, (“SAPFA_{SAF}”) of the secondary alignment feature constituting elongate side 1406 and the second and third elongate sides 1408a and 1408b may be measured by importing the image of the club head obtained as per the measurement for the SAPFA. Points 1410b and 1410a are selected which are the innermost ends of the radii connecting lines 1408b and 1408a with elongate side 1406 as shown in FIG. 10B. A best fit quadratic line is then fit for the secondary alignment feature between point 1410 a and 1410b and then a datum 1412 is determined as the center point along the arc length of the best fit line, again as for the SAPFA measurement, two points at arc length between +/-0.25 mm from the datum were selected. A straight line is then drawn between these two points and a line perpendicular to this line is then drawn at the datum. The Sight Adjusted Perceived Face Angle Secondary Alignment Feature, (“SAPFA_{SAF}”) is then measured as the angle between this perpendicular line and they axis.

In some embodiments, the golf club heads of the present invention also have a Sight Adjusted Perceived Face Angle Secondary Alignment Feature, (“SAPFA_{SAPFA}”) of from about -2 to about 6, more preferably of from 0 to about 5, even more preferably of from about 1.5 to about 4 degrees.

The primary and secondary alignment features as described herein typically utilize paint lines which demark the edge of an area of contrasting paint, e.g. between first crown portion **120a** and second crown portion **120b**, or shading of the crown **120** relative to the color or shading of the face **110**. Preferably the contrasting colors are white in the crown area (e.g. first crown portion **120a**) and black in the face area. Typically painting or shading of golf club heads is performed at the time of manufacture and thus are fixed for the lifetime of the club absent some additional painting performed after purchase by the owner. It would be highly advantageous if the profile of the alignment feature could be adjusted by the user using a simple method which would allow adjustment of the perceived face angle by the user in response to the golfer’s observed ball direction tendency on any given day.

In some embodiments of the golf club heads of the present invention the crown **120** comprises a rotatable or otherwise movable portion, e.g. the first crown portion **120a**, with one side of said portion including the edge of an area of contrasting paint or shading of the crown **120** relative to the color or shading of the face **110** or relative to the color or shading of the second crown portion **120b** which can be rotated or moved sufficient to yield the desired Perceived Face Angle, PFA and/or Sight Adjusted Perceived Face Angle (SAPFA) and/or Sight Adjusted Perceived Face Angle Secondary Alignment Feature, (“SAPFA_{SAPFA}”) to produce the desired ball flight. The movable portion of the crown is held in position by a fastening device such as a screw or bolt or other fastening means **1415** which is loosened to allow for rotation or movement and then subsequently tightened to fix the position of the crown **120** after adjustment.

In addition to a portion of the crown being movable other embodiments include a movable layer or cover on top of the crown with one side of said movable layer or cover including the edge of an area of contrasting paint or shading of the crown **120**, e.g. the first crown portion **120a**, relative to the color or shading of the face **110** or relative to the color or shading of the second crown portion **120b**, which can be rotated or moved sufficient to yield the desired Perceived Face Angle, PFA and/or Sight Adjusted Perceived Face Angle (SAPFA) and/or Sight Adjusted Perceived Face Angle Secondary Alignment Feature, (“SAPFA_{SAPFA}”). The movable portion of the layer or cover is again held in position by a fastening device such as a screw or bolt or other fastening means **1415** which is loosened to allow for rotation or movement and then subsequently tightened to fix the position of the movable layer or cover after adjustment.

In other embodiments a portion of the crown **120**, e.g. first crown portion **120a**, second crown portion **120b**, or both, may comprise electronic features, e.g. electronic graphic display **1440**, e.g. as illustrated in FIG. **10A**, which can be selectively activated to generate the required appearance including but not limited to light emitting diodes (LED), organic LED’s (OLED), printed electronics with illumination devices, embedded electronics with illumination devices, electroluminescent devices, and so called quantum dots.

In other embodiments, a portion of the crown **120**, e.g. first crown portion **120a**, second crown portion **120b**, or both, may comprise a coating that alters its characteristics when exposed to external conditions including but not

limited to thermochromic coatings, photochromic coatings, electrochromic coatings and paramagnetic paint.

In one preferred embodiment, illustrated, e.g. with regard to FIG. **10A**, at least a portion of the crown **120** of the golf club head, e.g. first crown portion **120a**, second crown portion **120b**, or both, or a layer covering at least a portion of the crown **120** of the golf club head comprises an electronic graphic display **1440**. The display **1440** provides active color and graphic control for either the entire top portion of the crown **120** or layer covering at least a portion of the crown, e.g. first crown portion **120a**, second crown portion **120b**, or both. The display **1440** may be constructed from flexible organic light-emitting diodes (OLED) displays, e-ink technology, digital fabrics, or other known means of active electronic color and graphic display means. For example, an organic light emitting diode (OLED) (e.g., a light emitting polymer (LEP), and organic electro luminescence (OEL)) is a light-emitting diode (LED) whose emissive electroluminescent layer is composed of a film of organic compounds. The layer usually contains a polymer substance that allows suitable organic compounds to be deposited in rows and columns onto a carrier substrate such as the at least a portion of the crown of the golf club head or a layer covering at least a portion of the crown of the golf club head, by a simple “printing” process. The resulting matrix of pixels can emit light of different colors.

In some embodiments, the at least a portion of the crown **120** of the golf club head, e.g. first crown portion **120a**, second crown portion **120b**, or both, or a layer covering at least a portion of the crown of the golf club head is segmented into portions which may be controlled differently from each other. For example, one side of the alignment feature, e.g. second crown portion **120b** or face **110**, has a static surface color and the other side, e.g. first crown portion **120a** or crown **120**, a second contrasting surface color display capability, e.g. electronic graphic display **1440**.

The display **1440** is operatively connected to a microprocessor **1450** disposed in the golf club head (e.g., via wires). The microprocessor **1450** is further operatively connected to a data port **1460**, for example a universal serial bus (USB) port (e.g., via wires). The data port **1460** allows transfer and retrieval of data to and from the microprocessor **1450**. Data ports and data transfer protocols are well known to one of ordinary skill in the art. The data port **1460** (e.g. a USB port) may be disposed in the rearward area of the golf club head.

Data can be obtained from a variety of sources **1480**. In some embodiments, an Internet website **1484** is dedicated to support of the golf club head of the present invention. For example, the website **1484** may contain downloadable data and protocols (e.g., colors, color patterns, images, video content, logos, etc.) that can be uploaded into the microprocessor **1450** of the golf club head (via the data port **1460**, via a cable, via a computer **1482**). As an example, the website **1484** may have a gallery for choosing colors to be displayed, as well as patterns of the colors.

In some embodiments, data can be uploaded from other sources **1480**, for example DVDs, CDs, memory devices (e.g., flash memory) **1486**, and the like. Sources may also include cellular phones, smart phones, personal digital assistants (PDAs), digital vending kiosks **1488**, and the like. In some embodiments, the data can be uploaded and downloaded via other mechanisms, for example wired mechanisms **1490** or wirelessly **1495**, e.g. via a wireless mechanism **1465**. Such mechanisms may include Bluetooth™, infrared datalink (IrDa), Wi-Fi, UWB, and the like.

In some embodiments, as illustrated in FIG. **10A**, one or more control buttons **1470** are disposed on the golf club head

allowing a user to manipulate the display **1440** as desired. The control buttons **1470** are operatively connected to the microprocessor **1450**. The microprocessor **1450** is configured to receive input signals from the control buttons **1470** and further send output commands to manipulate the display **1440**. The control buttons **1470** may be operatively connected to the display **1440** and/or the microprocessor **1450** via one or more wires.

The microprocessor **1450** and/or display **1440** are operatively connected to a power source, for example a battery **1472**. The battery **1472** may be rechargeable. In some embodiments, the battery **1472** comprises a control means **1474** for turning on and off the device. All wires and data ports **1460** and other electronic systems are adapted to sustain the impact forces incurred when a golfer hits a golf ball with the golf club head.

In other embodiments of the golf club heads of the present invention a method to accomplish user adjustably of the alignment feature would involve at least a portion of the crown **120** of the golf club head, e.g. first crown portion **120a**, second crown portion **120b**, or both, or a layer covering at least a portion of the crown of the golf club head being covered by a dielectric electroluminescent coating system using as one example the materials and methods as described in U.S. Pat. No. 6,926,972 by M. Jakobi et al., issuing on Aug. 9, 2005 and assigned to the BASF Corporation, the entire contents of which are incorporated by reference herein. Using this technology an electric current (provided by a small battery, e.g. battery **1472**, fixed securely in the golf club head cavity) could be selectively employed to use electroluminescence to highlight (or eliminate) a particular color thereby adjusting the orientation of the primary or secondary alignment features described herein.

In addition to the alignment features described herein, the golf club heads of the present invention may also incorporate additional, such features including but not limited to:

1. movable weight features including those described in more detail in U.S. Pat. Nos. 6,773,360, 7,166,040, 7,452,285, 7,628,707, 7,186,190, 7,591,738, 7,963,861, 7,621,823, 7,448,963, 7,568,985, 7,578,753, 7,717,804, 7,717,805, 7,530,904, 7,540,811, 7,407,447, 7,632,194, 7,846,041, 7,419,441, 7,713,142, 7,744,484, 7,223,180, 7,410,425 and 7,410,426, the entire contents of each of which are incorporated by reference in their entirety herein;
2. slidable weight features including those described in more detail in U.S. Pat. Nos. 7,775,905 and 8,444,505, U.S. patent application Ser. No. 13/898,313 filed on May 20, 2013, U.S. patent application Ser. No. 14/047,880 filed on Oct. 7, 2013, the entire contents of each of which are hereby incorporated by reference herein in their entirety;
3. aerodynamic shape features including those described in more detail in U.S. Patent Publication No. 2013/0123040A1, the entire contents of which are incorporated by reference herein in their entirety;
4. removable shaft features including those described in more detail in U.S. Pat. No. 8,303,431, the contents of which are incorporated by reference herein in their entirety;
5. adjustable loft/lie features including those described in more detail in U.S. Pat. Nos. 8,025,587, 8,235,831, 8,337,319, U.S. Patent Publication No. 2011/0312437A1, U.S. Patent Publication No. 2012/0258818A1, U.S. Patent Publication No. 2012/0122601A1, U.S. Patent Publication No. 2012/

0071264A1, U.S. patent application Ser. No. 13/686,677, the entire contents of which are incorporated by reference herein in their entirety; and

6. adjustable sole features including those described in more detail in U.S. Pat. No. 8,337,319, U.S. Patent Publication Nos. US2011/0152000A1, US2011/0312437, US2012/0122601A1, and U.S. patent application Ser. No. 13/686,677, the entire contents of each of which are incorporated by reference herein in their entirety.

The designs, embodiments and features described herein may also be combined with other features and technologies in the club-head including:

1. variable thickness face features described in more detail in U.S. patent application Ser. No. 12/006,060, U.S. Pat. Nos. 6,997,820, 6,800,038, and 6,824,475, which are incorporated herein by reference in their entirety;
2. composite face plate features described in more detail in U.S. patent application Ser. Nos. 11/998,435, 11/642,310, 11/825,138, 11/823,638, 12/004,386, 12/004,387, 11/960,609, 11/960,610 and U.S. Pat. No. 7,267,620, which are herein incorporated by reference in their entirety;

One should note that conditional language, such as, among others, “can,” “could,” “might,” or “may,” unless specifically stated otherwise, or otherwise understood within the context as used, is generally intended to convey that certain embodiments include, while other embodiments do not include, certain features, elements and/or steps. Thus, such conditional language is not generally intended to imply that features, elements and/or steps are in any way required for one or more particular embodiments or that one or more particular embodiments necessarily include logic for deciding, with or without user input or prompting, whether these features, elements and/or steps are included or are to be performed in any particular embodiment.

It should be emphasized that the above-described embodiments are merely possible examples of implementations, merely set forth for a clear understanding of the principles of the present disclosure. Any process descriptions or blocks in flow diagrams should be understood as representing modules, segments, or portions of code which include one or more executable instructions for implementing specific logical functions or steps in the process, and alternate implementations are included in which functions may not be included or executed at all, may be executed out of order from that shown or discussed, including substantially concurrently or in reverse order, depending on the functionality involved, as would be understood by those reasonably skilled in the art of the present disclosure. Many variations and modifications may be made to the above-described embodiment(s) without departing substantially from the spirit and principles of the present disclosure. Further, the scope of the present disclosure is intended to cover any and all combinations and sub-combinations of all elements, features, and aspects discussed above. All such modifications and variations are intended to be included herein within the scope of the present disclosure, and all possible claims to individual aspects or combinations of elements or steps are intended to be supported by the present disclosure.

We claim:

1. A golf club head comprising:

a golf club body having a face, a crown and a sole together defining an interior cavity, the golf club body including a heel and a toe portion and having an x, y and z axes which are orthogonal to each other having their origin at USGA center face; and

17

wherein the golf club head has an alignment feature delineating a transition between at least a first portion of the crown having an area of contrasting shade or color with a shade or color of the face;

wherein the alignment feature has:

- a. a Sight Adjusted Perceived Face Angle (SAPFA) of from about -2 to about 10 degrees; and
 - b. a Sight Adjusted Perceived Face Angle 25 mm Heelward (SAPFA_{25H}) of from about -5 to about 2 degrees; and
 - c. a Sight Adjusted Perceived Face Angle 25 mm Toeward (SAPFA_{25T}) of from 0 to about 9 degrees; and
 - d. a Radius of Curvature (circle fit) of from about 300 to about 1000 mm.
2. The golf club head of claim 1, wherein:
- a. the Sight Adjusted Perceived Face Angle (SAPFA) is from 0 to about 6 degrees; and
 - b. the Sight Adjusted Perceived Face Angle 25 mm Heelward (SAPFA_{25H}) is from about -3 to 0 degrees; and
 - c. the Sight Adjusted Perceived Face Angle 25 mm Toeward (SAPFA_{25T}) is from about 1 to about 4.5 degrees; and
 - d. the Radius of Curvature (circle fit) is from about 400 to about 900 mm.
3. The golf club head of claim 2, wherein:
- a. the Sight Adjusted Perceived Face Angle (SAPFA) is from about 0.5 to about 4 degrees; and
 - b. the Sight Adjusted Perceived Face Angle 25 mm Heelward (SAPFA_{25H}) is from about -2 to about -1 degrees; and
 - c. the Sight Adjusted Perceived Face Angle 25 mm Toeward (SAPFA_{25T}) is from about 2 to about 4 degrees; and
 - d. the Radius of Curvature (circle fit) is from about 500 to about 775 mm.
4. The golf club head of claim 1, wherein the alignment feature has a contrasting color difference (ΔE^*ab) greater than 60 , wherein the contrasting color difference (ΔE^*ab) is between the first portion of the crown and the face.
5. The golf club head of claim 1, further including an electronic display on at least a portion of the crown.
6. The golf club head of claim 5, wherein the electronic display is a color display.
7. The golf club head of claim 5, wherein the electronic display is user adjustable.
8. The golf club head of claim 5, wherein the electronic display comprises a secondary alignment feature, and the golf club body has a volume of 420 - 500 cc.
9. The golf club head of claim 8, wherein the secondary alignment feature is user adjustable.
10. The golf club head of claim 8, wherein the electronic display is configured to wirelessly communicate with a user operable electronic device.
11. The golf club head of claim 10, wherein the electronic display is configured to receive and display one or more images from the user operable electronic device.
12. The golf club head of claim 11, wherein the one or more images when displayed on the electronic display comprise a secondary alignment feature.
13. The golf club head of claim 9, wherein an orientation of the secondary alignment feature is user adjustable and changes a Sight Adjusted Perceived Face Angle Secondary Alignment Feature (SAPFA_{S_{AF}}).

18

14. The golf club head of claim 13, wherein the secondary alignment feature has at least one elongate side extending primarily in a direction of the x axis and having a side length that is at least one inch.

15. The golf club head of claim 14, wherein an imaginary perpendicular reference line extends orthogonal from a midpoint of the elongate side, and the imaginary perpendicular reference line intersects the x axis at a location heelward of the center face.

16. The golf club head of claim 13, wherein the electronic display is configured to display one or more images that comprise the secondary alignment feature.

17. The golf club head of claim 13, wherein the portion of the crown containing the electronic display is curved.

18. The golf club head of claim 13, wherein the electronic display comprises an organic light-emitting diode screen.

19. The golf club head of claim 13, wherein the electronic display comprises an e-ink display.

20. The golf club head of claim 13, further including at least one control feature disposed on the golf club head allowing a user to manipulate the electronic display.

21. The golf club head of claim 13, wherein the Sight Adjusted Perceived Face Angle Secondary Alignment Feature (SAPFA_{S_{AF}}) is about -2 to about 6 degrees.

22. The golf club head of claim 21, wherein the Sight Adjusted Perceived Face Angle Secondary Alignment Feature (SAPFA_{S_{AF}}) is about 0 to about 5 degrees, and the golf club body has an effective face position height of 2 - 10 mm.

23. The golf club head of claim 21, wherein the electronic display is flexible.

24. A golf club head comprising:

- a golf club body having a volume of 420 - 500 cc, a face, a crown and a sole together defining an interior cavity, the golf club body including a heel and a toe portion and having an x, y and z axes which are orthogonal to each other having their origin at USGA center face;
- an electronic display on at least a curved portion of the crown, wherein the electronic display is configured to display one or more images;

wherein the golf club head has a primary alignment feature delineating a transition between at least a first portion of the crown having an area of contrasting shade or color with a shade or color of the face;

wherein the primary alignment feature has:

- a. a Sight Adjusted Perceived Face Angle (SAPFA) of from about -2 to about 10 degrees; and
- b. a Sight Adjusted Perceived Face Angle 25 mm Heelward (SAPFA_{25H}) of from about -5 to about 2 degrees; and
- c. a Sight Adjusted Perceived Face Angle 25 mm Toeward (SAPFA_{25T}) of from 0 to about 9 degrees; and
- d. a Radius of Curvature (circle fit) of from about 300 to about 1000 mm.

25. The golf club head of claim 24, wherein:

- a. the Sight Adjusted Perceived Face Angle (SAPFA) is from 0 to about 6 degrees; and
- b. the Sight Adjusted Perceived Face Angle 25 mm Heelward (SAPFA_{25H}) is from about -3 to 0 degrees; and
- c. the Sight Adjusted Perceived Face Angle 25 mm Toeward (SAPFA_{25T}) is from about 1 to about 4.5 degrees; and
- d. the Radius of Curvature (circle fit) is from about 400 to about 900 mm.

26. The golf club head of claim 24, wherein the electronic display comprises a secondary alignment feature.

19

27. The golf club head of claim 26, wherein the secondary alignment feature is user adjustable.

28. The golf club head of claim 27, wherein a orientation of the secondary alignment feature is user adjustable and changes a Sight Adjusted Perceived Face Angle Secondary Alignment Feature (SAPFA_{SAPF}).

29. The golf club head of claim 28, wherein the Sight Adjusted Perceived Face Angle Secondary Alignment Feature (SAPFA_{SAPF}) is about -2 to about 6 degrees.

30. The golf club head of claim 27, wherein the secondary alignment feature has at least one elongate side extending primarily in a direction of the x axis and having a side length that is at least one inch.

31. The golf club head of claim 30, wherein an imaginary perpendicular reference line extends orthogonal from a midpoint of the elongate side, and the imaginary perpendicular reference line intersects the x axis at a location heelward of the center face.

32. The golf club head of claim 26, wherein the one or more images form the secondary alignment feature.

33. The golf club head of claim 24, wherein the electronic display comprises an organic light-emitting diode screen.

34. The golf club head of claim 24, wherein the electronic display comprises an e-ink display.

35. The golf club head of claim 24, further including at least one control feature disposed on the golf club head allowing a user to manipulate the electronic display.

36. The golf club head of claim 24, wherein the electronic display is configured to wirelessly communicate with a user operable electronic device.

37. The golf club head of claim 36, wherein the electronic display is configured to receive and display one or more images from the user operable electronic device.

20

38. The golf club head of claim 24, wherein the electronic display is a color display.

39. The golf club head of claim 24, wherein the alignment feature has a contrasting color difference (ΔE^*ab) greater than 60, wherein the contrasting color difference (ΔE^*ab) is between the first portion of the crown and the face.

40. A golf club head comprising:

a golf club body having a volume of 420-500 cc, a face, a crown and a sole together defining an interior cavity, the golf club body including a heel and a toe portion and having an x, y and z axes which are orthogonal to each other having their origin at USGA center face;

a user adjustable color electronic display on at least a curved portion of the crown;

wherein the golf club head has a primary alignment feature delineating a transition between at least a first portion of the crown having an area of contrasting shade or color with a shade or color of the face;

wherein the primary alignment feature has:

- a. a Sight Adjusted Perceived Face Angle (SAPFA) of from about -2 to about 10 degrees; and
- b. a Sight Adjusted Perceived Face Angle 25 mm Heelward (SAPFA_{25H}) of from about -5 to about 2 degrees; and
- c. a Sight Adjusted Perceived Face Angle 25 mm Toeward (SAPFA_{25T}) of from 0 to about 9 degrees; and
- d. a Radius of Curvature (circle fit) of from about 300 to about 1000 mm.

* * * * *